



# PRODUCT SPECIFICATION

---

LED4 STR



---

## INTRODUCTION

---

The LED 4 STR is a surface mount emergency LED which can incorporate open area or corridor 3W LED's, available in white or black 30% gloss finish.

This unit is ready to connect to the Reacta-Link emergency wireless system.

- IP20

---

## APPLICATION

---

- Commercial/Offices
- Corridor
- Education
- Food/Clean Area
- Healthcare/Social Housing
- Hotel/Leisure
- Industrial/Manufacturing
- Retail
- Stairwell

- Transport
- Warehouse/Storage

---

## SPECIFICATION

---

### CONSTRUCTION

- Features extra long life LiFePO4 batteries
- 110 degree open area or corridor optic options
- High output - up to 207 lumens
- 170mm x 170mm
- White or Black 30% gloss finish

### EMERGENCY

- Compatible with the Reacta-Link wireless system

---

## IMAGES

---

### PRODUCT IMAGES

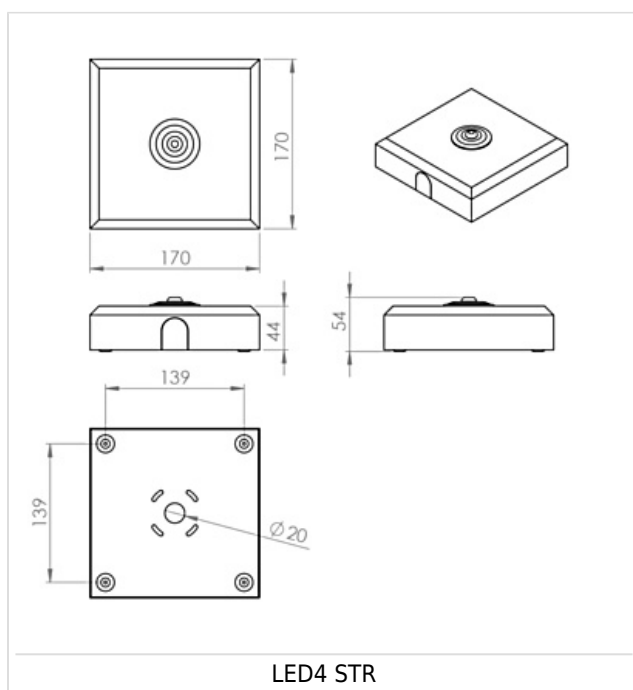


LED3 STR

---

## TECHNICAL

---



## WARRANTY

5 year warranty on LED product ranges is subject to a maximum of 4000 operating hours per year and only applies where failures exceed the component manufacturers expected failure rate and lumen depreciation.

All Dextra products are supplied with a 12 month warranty for any defect that may occur with the product during this time. Any defect will either be repaired on site free of charge or the defective product may be replaced on a chargeable basis and credit given against defective product returned. The course of action taken will be at our discretion and dependent on the nature of the defect.

The control gear within our high frequency and LED luminaires is further underwritten by our suppliers for a period of up to 5 years in total from the time of purchase. This comprises labour and parts for the first 3 years and free of charge components only for the final 2 years.

PROTEC LED FR 8W GU10 luminaires and all Emergency LED ranges such as LED 3, EXI, HBE, OAT, OEZ, AME, OEH and TWS\* are exempt from the 5 year warranty and are supplied with 1 year warranty only. PROTEC LED COB luminaires are supplied with a three year warranty for replacement luminaires only.

All warranties are subject to correct use of the product and will be invalidated by misuse, for example incorrect installation or unsuitable environmental conditions.

It is the duty of the customer to ensure that all relevant tests have been carried out prior to requesting site visits or replacement products, for example replacement of lamps, commissioning of sensors and inspection of external wiring. In the event that no defect is found with the product our costs for attending site will be recharged to the customer and credit will not be issued against returned products.

No consequential losses incurred resulting from any defect with our product will be reimbursed.

Consumable commodities such as lamps, starters and batteries are excluded from these warranty terms. Batteries are

supplied with a twelve month warranty only.

If you require any assistance with regards to our products please do not hesitate to contact our Customer Services department on 01747 858100.

\*The LED4 Emergency LED range is supplied with a three year battery warranty and 5 year luminaire warranty.

---

## ORDER CODES

---

### LUMINAIRE CODES

Code	Description
LED4O STR	Led 4 Open Area, Maintained (Non-Maintained Compatible), Reacta Link Wireless Emergency
LED4E STR	LED 4 Escape Route, Maintained (Non-Maintained Compatible), Reacta Link Wireless Emergency