



# PRODUCT SPECIFICATION

---

LED4



---

## INTRODUCTION

---

The LED4 incorporates a Lithium Iron Phosphate battery giving greatly extended lifetime over traditional Nickel Cadmium and Nickel Metal Hydride products. Designed to complement mains operated luminaires, the LED4 is a standalone non maintained emergency luminaire and is available in standard, self test and autotest emergency variants. All luminaires are supplied complete with a range of easily changed lenses for open area, escape route and spot applications ensuring that a single luminaire can be installed across any project and the lenses changed as and when required to provide the required light distribution.

Lithium Iron batteries provide far greater energy density and lifetime than traditional batteries, as a result of which the LED4 is supplied with a 3 year battery warranty. The luminaire construction allows for quick and simple battery replacement with a USB connector which also ensures that incompatible batteries can not be connected to the luminaire accidentally.

- CE
- IP20

---

## APPLICATION

---

- Commercial/Offices
- Corridor
- Education
- Food/Clean Area

- Healthcare/Social Housing
- Hotel/Leisure
- Industrial/Manufacturing
- Retail
- Stairwell
- Transport

---

## SPECIFICATION

---

### CONSTRUCTION

- Injection moulded housing
- Flexible battery connector with USB socket to prevent incompatible battery connection

### PERFORMANCE

- 230-240v 50Hz AC Input Voltage
- Recharge within 24 hours
- IP20 rated enclosure

### INSTALLATION

- Suitable for recessed installation with spring clip retention
- Suitable for use in plasterboard and suspended ceiling systems

### VARIANTS

- Supplied with three lens variants, open area, escape route and spot
- Available in standard, self test and autotest emergency

---

## IMAGES

---

### PRODUCT IMAGES



Disconnected lithium battery

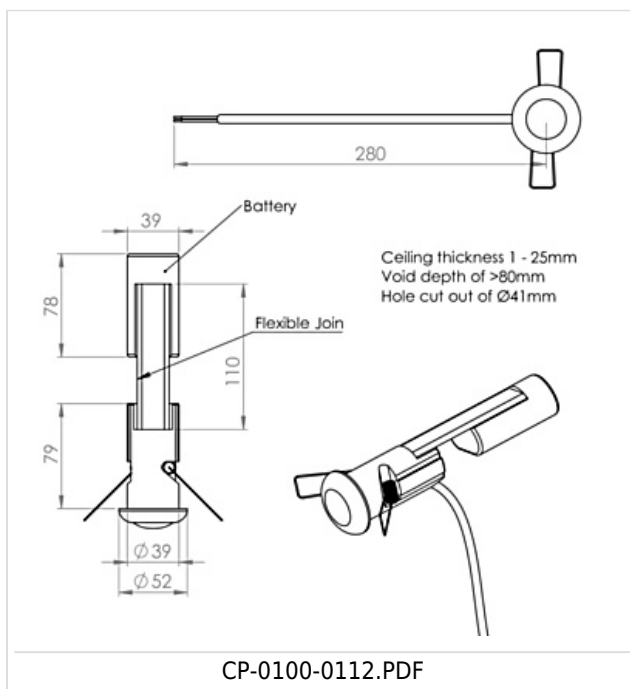


Connected lithium battery

---

## TECHNICAL

---




---

## WARRANTY

---

At Dextra our commitment to service has been at the forefront throughout our history spanning more than forty years in the UK lighting market. Our service ethos extends beyond design and delivery, we believe supporting your installation throughout the warranty period is equally crucial, whilst the strength and longevity of Dextra Group provides peace of mind that our warranty will be supported throughout.

The Dextra range is supplied with a five year warranty commencing from the date of delivery. During the first three years

defects will be repaired on site and the warranty will include both parts and labour. For the final two years drivers, emergency modules, wireless modules, sensors and LED circuits will be supplied free of charge to replace defective components, labour and other associated costs are not included.

Certain ranges and components are subject to exemptions:

- Lithium batteries are provided with a three year warranty for parts and labour. Nickel Metal Hydride and Nickel Cadmium batteries are provided with a one year warranty for parts and labour.
- Emergency luminaires including AME LED, EXI LED, EXI2 LED, EXI Track, HBE LED, HBE2 LED, OAT2 LED, OEZ LED and Twinspot with Nickel Metal Hydride batteries are supplied with a one year warranty for parts and labour. Lithium variants of these ranges are supplied with a three year warranty for parts and labour with the exception of the AME2, EXI3, HBE3 and TWS IP65 L7 ranges which are supplied with a one year parts and labour warranty.
- Protec Micro, 7W Fire Rated Downlights and Serenus are provided with a five year replacement luminaire only warranty.
- Controls systems such as standalone sensors, switches, marshalling boxes and cabling are provided with a one year warranty for both parts and labour. DALI control systems are provided with a two year warranty for both parts and labour.
- LEDextra ranges including Glide Power, Glide Mini, Glide RGBW, Colour Glide, Glide In Ground, Glide Pixel and AluLED ranges are supplied with a three year parts or replacement luminaire only warranty.
- LEDEX ranges are supplied with a three year replacement luminaire only warranty.

All warranties are subject to correct use of the product and will be invalidated by misuse, for example incorrect installation, unsuitable environmental conditions or incorrect maintenance. It is the duty of the customer to ensure that all the fault lies with the luminaire prior to requesting replacement parts or site repairs. In the event that no defect is found with the product our costs for attending site will be recharged to the customer and credit will not be issued against returned products. No consequential losses incurred resulting from any defect with our product will be reimbursed.

Given the nature of LED technology a small percentage of LEDs may fail during the lifetime of a luminaire, this does not cause a reduction in lumen output. As such LED luminaires are only deemed to be faulty for warranty purposes when in excess of ten percent of LEDs have failed in a single luminaire

On site repair of products under warranty will be undertaken during normal working hours, 9am to 5pm Monday to Friday, and will require unrestricted access to luminaires. Where required Dextra will provide access equipment to carry out repairs at height, should luminaires have been installed in locations where reasonable provision for maintenance access has not been made we reserve the right to supply replacement product only.

If you require any assistance with regards to our products please contact our Customer Services department on 01747 858100.

[DOWNLOAD WARRANTY PDF](#)

---

## ORDER CODES

---

### LUMINAIRE CODES

Code	Description
LED4R NM3	LED4, Recessed, Non-Maintained, Emergency, 2W
LED4R NM3 ST3	LED4, Recessed, Non-Maintained, Self Test Emergency, 2W

LED4R NM3 AT3

LED4, Recessed, Non-Maintained, Auto Test Emergency, 2W

---