



PRODUCT SPECIFICATION

IMPS LED



INTRODUCTION

The Impervia LED Surface is a robust IP65 LED luminaire for use in applications where the luminaire must be protected from ingress of dirt, dust and water. The steel housing is rated to IP65 and has an ABS injection moulded frame and polycarbonate diffuser providing a rating of IK10.

The Impervia LED Surface is available in three housing sizes, 600X600, 1200X600 and 1200X300 all of which can be supplied in a range of lumen outputs, dimming variants and with integral emergency in standard, self test and autotest versions.

- CE
- IP65
- L90 / 60K OPERATING HOURS
- 3 STEP MACADAM ELLIPSE

APPLICATION

- Education
- Food/Clean Area
- Healthcare/Social Housing
- Industrial/Manufacturing
- Kitchen

SPECIFICATION

CONSTRUCTION

- Steel housing powder painted white.
- Injection moulded ABS frame.
- Liquid poured polyurethane gasket.
- Advanced optic panel providing excellent diffusion but allowing up to 93% light transmission.
- 600×600, 1200×600 and 1200×300 body sizes.
- IP65 rated with sturdy construction provides suitability for a range of arduous applications.

PERFORMANCE

- LORs up to 69%.
- 3500 or 4500 lumen output in 600×600, 3500 or 4500 lumen output in 1200×300, 7000 or 9000 lumen output in 1200×600.
- LM80 verified: 90% LED lumen maintenance at 60,000 operating hours.
- Standard Deviation Colour Match - 3 Step Macadam's Ellipse.

CONTROL

- All options available with DALI, Switch Dim and DSI Dimming.
- Standalone sensors available for presence detection and daylight regulation.
- White Tunable, Lumen outputs vary, please contact our sales department for details

EMERGENCY

- Please see our emergency range of standalone products that can be used in conjunction with the IMPR luminaire.

INSTALLATION

- Suitable for mounting to solid ceilings

IMAGES

PRODUCT IMAGES



IMPS LED 600 x 600



IMPS LED - microprism



IMPS LED 1200 x 600

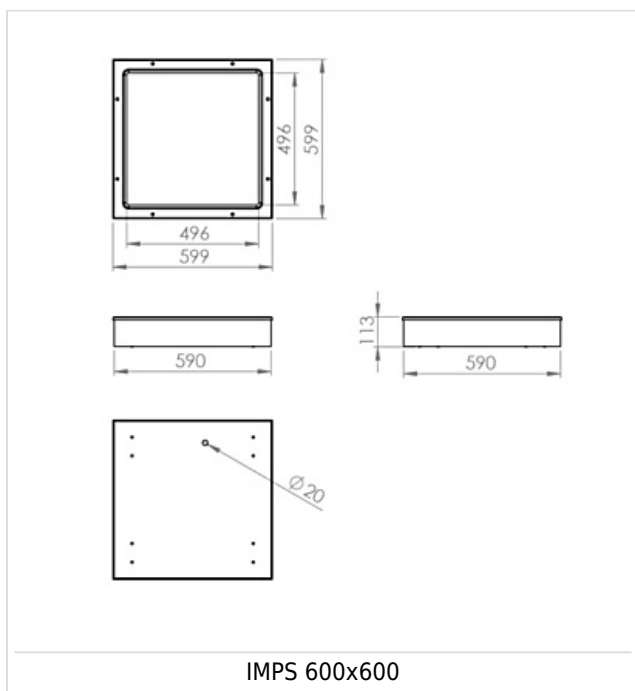


IMPS LED 1200 x 300

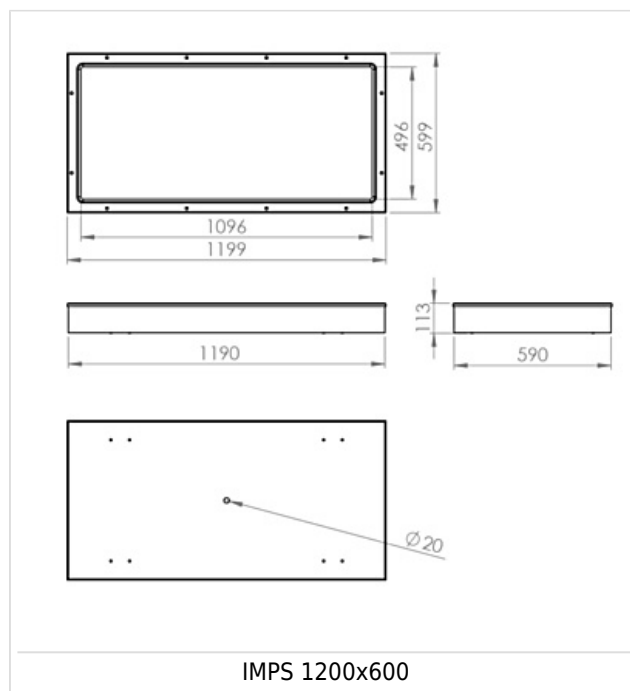
PROJECT IMAGES



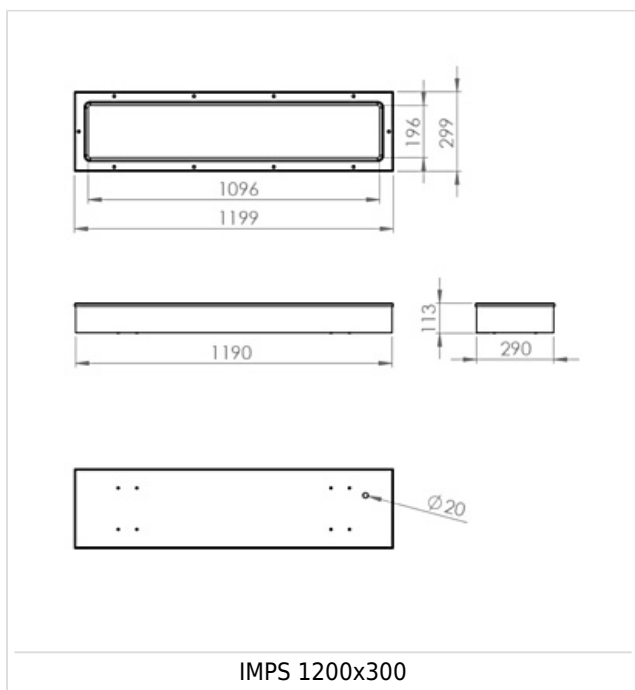
TECHNICAL



IMPS 600x600



IMPS 1200x600



IMPS 1200x300

WARRANTY

At Dextra our commitment to service has been at the forefront throughout our history spanning more than forty years in the UK lighting market. Our service ethos extends beyond design and delivery, we believe supporting your installation throughout the warranty period is equally crucial, whilst the strength and longevity of Dextra Group provides peace of mind that our warranty will be supported throughout.

The Dextra range is supplied with a five year warranty commencing from the date of delivery. During the first three years

defects will be repaired on site and the warranty will include both parts and labour. For the final two years drivers, emergency modules, wireless modules, sensors and LED circuits will be supplied free of charge to replace defective components, labour and other associated costs are not included.

Certain ranges and components are subject to exemptions:

- Lithium batteries are provided with a three year warranty for parts and labour. Nickel Metal Hydride and Nickel Cadmium batteries are provided with a one year warranty for parts and labour.
- Emergency luminaires including AME LED, EXI LED, EXI2 LED, EXI Track, HBE LED, HBE2 LED, OAT2 LED, OEZ LED and Twinspot with Nickel Metal Hydride batteries are supplied with a one year warranty for parts and labour. Lithium variants of these ranges are supplied with a three year warranty for parts and labour with the exception of the AME2, EXI3, HBE3 and TWS IP65 L7 ranges which are supplied with a one year parts and labour warranty.
- Protec Micro, 7W Fire Rated Downlights and Serenus are provided with a five year replacement luminaire only warranty.
- Controls systems such as standalone sensors, switches, marshalling boxes and cabling are provided with a one year warranty for both parts and labour. DALI control systems are provided with a two year warranty for both parts and labour.
- LEDextra ranges including Glide Power, Glide Mini, Glide RGBW, Colour Glide, Glide In Ground, Glide Pixel and AluLED ranges are supplied with a three year parts or replacement luminaire only warranty.
- LEDEX ranges are supplied with a three year replacement luminaire only warranty.

All warranties are subject to correct use of the product and will be invalidated by misuse, for example incorrect installation, unsuitable environmental conditions or incorrect maintenance. It is the duty of the customer to ensure that all the fault lies with the luminaire prior to requesting replacement parts or site repairs. In the event that no defect is found with the product our costs for attending site will be recharged to the customer and credit will not be issued against returned products. No consequential losses incurred resulting from any defect with our product will be reimbursed.

Given the nature of LED technology a small percentage of LEDs may fail during the lifetime of a luminaire, this does not cause a reduction in lumen output. As such LED luminaires are only deemed to be faulty for warranty purposes when in excess of ten percent of LEDs have failed in a single luminaire

On site repair of products under warranty will be undertaken during normal working hours, 9am to 5pm Monday to Friday, and will require unrestricted access to luminaires. Where required Dextra will provide access equipment to carry out repairs at height, should luminaires have been installed in locations where reasonable provision for maintenance access has not been made we reserve the right to supply replacement product only.

If you require any assistance with regards to our products please contact our Customer Services department on 01747 858100.

[DOWNLOAD WARRANTY PDF](#)

ORDER CODES

LUMINAIRE CODES

Code	Description	Circuit Wattage	Llm/W
Opal			
IMPS65 L35	IMPS LED, Surface, 600x600mm, 2474lm, IP65, Colour 84	20.2W	122.4

IMPS65 L45	IMPS LED, Surface, 600x600mm, 3180lm, IP65, Opal, Colour 84	25.8W	123.2
IMPS65 L55	IMPS LED, Surface, 600x600mm, 3886lm, IP65, Opal, Colour 84	32.9W	118.4
IMPS65 L68	IMPS LED, Surface, 600x600mm, 4757lm, IP65, Opal, Colour 84	40.8W	116.5
IMPS65 L76	IMPS LED, Surface, 600x600mm, 5316lm, IP65, Opal, Colour 84	44.9W	118.3
IMPS65 123 L35	IMPS LED, Surface, 1200x300mm, 2236lm, IP65, Opal, Colour 84	19.8W	112.9
IMPS65 123 L45	IMPS LED, Surface, 1200x300mm, 2868lm, IP65, Opal, Colour 84	24.2W	118.5
IMPS65 123 L55	IMPS LED, Surface, 1200x300mm, 3504lm, IP65, Opal, Colour 84	30.1W	116.4
IMPS65 123 L68	IMPS LED, Surface, 1200x300mm, 3917lm, IP65, Opal, Colour 84	36.7W	106.7
IMPS65 123 L76	IMPS LED, Surface, 1200x300mm, 4840lm, IP65, Opal, Colour 84	41.0W	118.0
IMPS65 126 L70	IMPS LED, Surface, 1200x600mm, 5364lm, IP65, Opal, Colour 84	38.1W	140.7
IMPS65 126 L90	IMPS LED, Surface, 1200x600mm, 6940lm, IP65, Opal, Colour 84	49.0W	141.6
IMPS65 126 L136	IMPS LED, Surface, 1200x600mm, 10,392lm, IP65, Opal, Colour 84	76.8W	135.3
IMPS65 126 L152	IMPS LED, Surface, 1200x600mm, 11,600lm, IP65, Opal, Colour 84	86.9W	133.4

Microprism

IMPS65 L35 MP	IMPS LED, Surface, 600x600mm, 2125lm, IP65, Microprism, Colour 84	20.2W	105.1
IMPS65 L45 MP	IMPS LED, Surface, 600x600mm, 2732lm, IP65, Microprism, Colour 84	25.8W	105.8
IMPS65 L55 MP	IMPS LED, Surface, 600x600mm, 3339lm, IP65, Microprism, Colour 84	32.9W	101.4
IMPS65 L68 MP	IMPS LED, Surface, 600x600mm, 4128lm, IP65, Microprism, Colour 84	40.8W	101.1
IMPS65 L76 MP	IMPS LED, Surface, 600x600mm, 4613lm, IP65, Microprism, Colour 84	44.9W	102.7
IMPS65 123 L35 MP	IMPS LED, Surface, 1200x300mm, 2016lm, IP65, Microprism, Colour 84	19.8W	101.8
IMPS65 123 L45 MP	IMPS LED, Surface, 1200x300mm, 2592lm, IP65, Microprism, Colour 84	24.2W	107.1
IMPS65 123 L55 MP	IMPS LED, Surface, 1200x300mm, 3168lm, IP65, Microprism, Colour 84	30.1W	105.2
IMPS65 123 L68 MP	IMPS LED, Surface, 1200x300mm, 3917lm, IP65, Microprism, Colour 84	36.7W	106.7
IMPS65 123 L76 MP	IMPS LED, Surface, 1200x300mm, 4378lm, IP65, Microprism, Colour 84	41.0W	106.7
IMPS65 126 L70 MP	IMPS LED, Surface, 1200x600mm, 4634lm, IP65, Microprism, Colour 84	38.1W	121.6
IMPS65 126 L90 MP	IMPS LED, Surface, 1200x600mm, 5958lm, IP65, Microprism, Colour 84	49.0W	121.5
IMPS65 126 L136 MP	IMPS LED, Surface, 1200x600mm, 9009lm, IP65, Microprism, Colour 84	76.8W	117.3
IMPS65 126 L152 MP	IMPS LED, Surface, 1200x600mm, 10,062lm, IP65, Microprism, Colour 84	86.9W	115.7

Additional support required, check suitability with ceiling system prior to ordering.

C83 option available on special request with specific lumen outputs

DIMMING OPTIONS

Code	Description
A	Digital Addressable Lighting Interface (DALI)
S	Switch Dimming
WT	White Tunable, Lumen outputs vary, please contact our sales department for details
C	Bi-Level Dimming for use with standalone switched sensor
H	High Frequency Dimming
	Please click here for full details on our white tunable offer

LIGHTING CONTROL

Code	Description
RLI	Dextra Reacta-Link System
	Please click here for full details on our wireless controls.

EMERGENCY

Code	Description
LE3	Lithium Emergency 3 Hour
LS3	Lithium Selftest
LA3	Lithium Autotest
LSTR	Lithium Emergency Reacta-Link
CB	Please specify 50v, 110v or 230v when ordering

MISC

Code	Description
TRS	Tamper Resistant Screws
TRS INSTALL KIT	Tamper Resistant Compatible Screwdriver Heads