

PRODUCT SPECIFICATION

IMPR



INTRODUCTION

The Impervia is a robust IP65 LED luminaire for use in applications where the luminaire must be protected from ingress of dirt, dust and water. The steel housing is rated to IP65 from both the front and rear whilst the frame is gasketed to form an IP65 seal to the ceiling surface from below. With an ABS injection moulded frame and polycarbonate diffuser the IMPR LED is also rated to IK10.

The Impervia is available in three housing sizes, 600X600, 1200X600 and 1200X300 all of which can be supplied in a range of lumen outputs, dimming variants and with integral lithium emergency in standard, self test and autotest emergency. Wireless dimming and control can be offered with our Reacta-Dim system and Reacta-Link options are also available where web based control and reporting of luminaires is required.

- CE
- IP65
- IK10
- L90 / 60K OPERATING HOURS
- 3 STEP MACADAM ELLIPSE
- TP(a)

APPLICATION

- Education

- Food/Clean Area
- Healthcare/Social Housing
- Industrial/Manufacturing
- Kitchen

SPECIFICATION

CONSTRUCTION

- Steel housing powder painted white.
- Injection moulded ABS frame.
- Liquid poured polyurethane gasket.
- Advanced optic panel providing excellent diffusion but allowing up to 93% light transmission.
- IP65 rated with sturdy construction provides suitability for a range of arduous applications.

PERFORMANCE

- LORs up to 76%.
- Available in a wide range of lumen outputs in three sizes, 600×600, 1200×600 and 1200×300
- LM80 verified: 90% LED lumen maintenance at 60,000 operating hours.
- Standard Deviation Colour Match – 3 Step Macadam's Ellipse.

CONTROL

- All options available with DALI, Switch Dim and DSI Dimming.
- Standalone sensors available for presence detection and daylight regulation.
- White Tunable Lumen outputs vary, please contact our sales department for details.

EMERGENCY

- Available with optional standard, self test and autotest integral emergency with lithium batteries for extended warranty and lifetime.

INSTALLATION

- Suitable for pull up installation in Exposed T, Clip In and Plasterboard ceilings (due to the weight of this luminaire additional support may be required).
- Please contact technical department for advice on suitability for concealed grid ceiling systems.

VARIATIONS

- IMPR Caelus available on request.
- 600×600 1200×600 and 1200×300 body sizes.
- Available with microprism diffuser for applications where glare compliance to BSEN 12464 is required.

IMAGES

PRODUCT IMAGES



IMPR LED 600 x 600



IMPR LED 1200 x 600



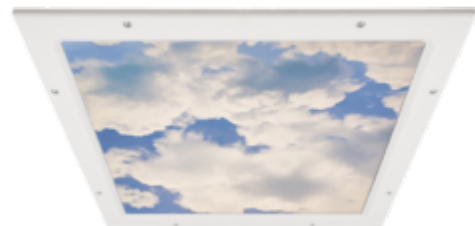
IMPR LED microprism



IMPR LED 1200 x 300



IMPR bracket for concealed grid application.

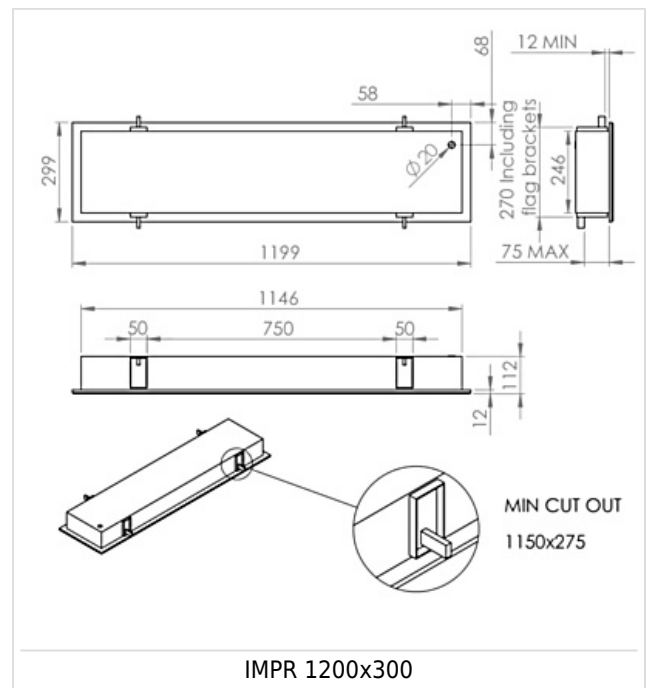
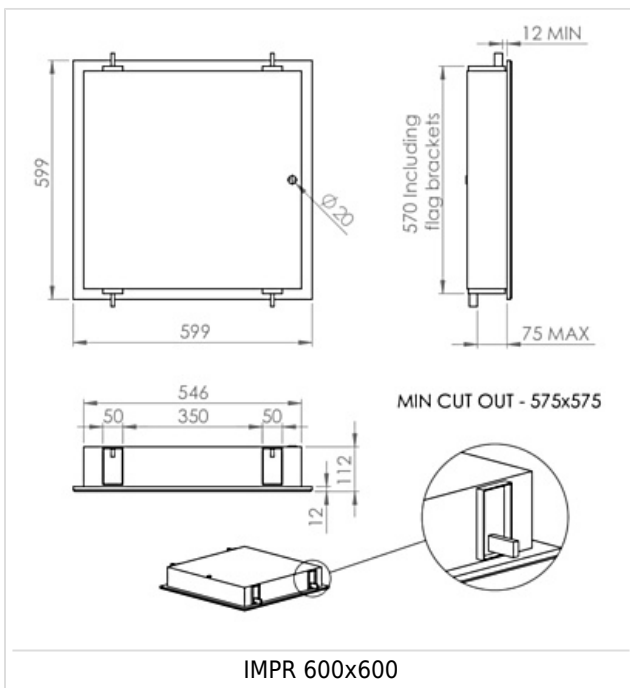


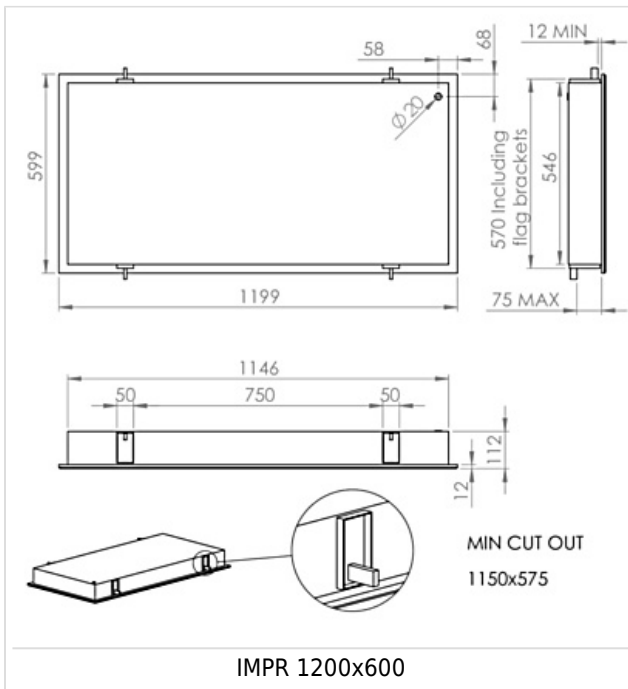
IMPR Caelus available on request

PROJECT IMAGES



TECHNICAL





WARRANTY

At Dextra our commitment to service has been at the forefront throughout our history spanning more than forty years in the UK lighting market. Our service ethos extends beyond design and delivery, we believe supporting your installation throughout the warranty period is equally crucial, whilst the strength and longevity of Dextra Group provides peace of mind that our warranty will be supported throughout.

The Dextra range is supplied with a five year warranty commencing from the date of delivery. During the first three years defects will be repaired on site and the warranty will include both parts and labour. For the final two years drivers, emergency modules, wireless modules, sensors and LED circuits will be supplied free of charge to replace defective components, labour and other associated costs are not included.

Certain ranges and components are subject to exemptions:

- Lithium batteries are provided with a three year warranty for parts and labour. Nickel Metal Hydride and Nickel Cadmium batteries are provided with a one year warranty for parts and labour.
- Emergency luminaires including AME LED, EXI LED, EXI2 LED, EXI Track, HBE LED, HBE2 LED, OAT2 LED, OEZ LED and Twinspot with Nickel Metal Hydride batteries are supplied with a one year warranty for parts and labour. Lithium variants of these ranges are supplied with a three year warranty for parts and labour with the exception of the AME2, EXI3, HBE3 and TWS IP65 L7 ranges which are supplied with a one year parts and labour warranty.
- Protec Micro, 7W Fire Rated Downlights and Serenus are provided with a five year replacement luminaire only warranty.
- Controls systems such as standalone sensors, switches, marshalling boxes and cabling are provided with a one year warranty for both parts and labour. DALI control systems are provided with a two year warranty for both parts and labour.
- LEDextra ranges including Glide Power, Glide Mini, Glide RGBW, Colour Glide, Glide In Ground, Glide Pixel and AluLED ranges are supplied with a three year parts or replacement luminaire only warranty.
- LEDEX ranges are supplied with a three year replacement luminaire only warranty.

All warranties are subject to correct use of the product and will be invalidated by misuse, for example incorrect installation, unsuitable environmental conditions or incorrect maintenance. It is the duty of the customer to ensure that all the fault lies with the luminaire prior to requesting replacement parts or site repairs. In the event that no defect is found with the product our costs for attending site will be recharged to the customer and credit will not be issued against returned products. No consequential losses incurred resulting from any defect with our product will be reimbursed.

Given the nature of LED technology a small percentage of LEDs may fail during the lifetime of a luminaire, this does not cause a reduction in lumen output. As such LED luminaires are only deemed to be faulty for warranty purposes when in excess of ten percent of LEDs have failed in a single luminaire

On site repair of products under warranty will be undertaken during normal working hours, 9am to 5pm Monday to Friday, and will require unrestricted access to luminaires. Where required Dextra will provide access equipment to carry out repairs at height, should luminaires have been installed in locations where reasonable provision for maintenance access has not been made we reserve the right to supply replacement product only.

If you require any assistance with regards to our products please contact our Customer Services department on 01747 858100.

[DOWNLOAD WARRANTY PDF](#)

ORDER CODES

LUMINAIRE

Code	Description	Circuit Wattage	Llm/W
Opal			
IMPR65 L35	IMPR, Pull-Up, 600x600, 2,474llm, IP65, Opal, Colour 84	20.2W	122
IMPR65 L45	IMPR, Pull-Up, 600x600, 3,180llm, IP65, Opal, Colour 84	25.8W	123
IMPR65 L55	IMPR, Pull-Up, 600x600, 3,886llm, IP65, Opal, Colour 84	32.9W	118
IMPR65 L68	IMPR, Pull-Up, 600x600, 4,757llm, IP65, Opal, Colour 84	40.8W	116.
IMPR65 L76	IMPR, Pull-Up, 600x600, 5,316llm, IP65, Opal, Colour 84	44.9W	118
IMPR65 123 L35	IMPR, Pull-Up, 1200x300, 2,236llm, IP65, Opal, Colour 84	19.8W	113
IMPR65 123 L45	IMPR, Pull-Up, 1200x300, 2,868llm, IP65, Opal, Colour 84	24.2W	119
IMPR65 123 L55	IMPR, Pull-Up, 1200x300, 3,504llm, IP65, Opal, Colour 84	30.1W	116
IMPR65 123 L68	IMPR, Pull-Up, 1200x300, 3,917llm, IP65, Opal, Colour 84	36.7W	107
IMPR65 123 L76	IMPR, Pull-Up, 1200x300, 4,840llm, IP65, Opal, Colour 84	41.0W	118
IMPR65 126 L70	IMPR, Pull-Up, 1200x600, 5,364llm, IP65, Opal, Colour 84	38.1W	141
IMPR65 126 L90	IMPR, Pull-Up, 1200x600, 6,940llm, IP65, Opal, Colour 84	49.0W	142
IMPR65 126 L136	IMPR, Pull-Up, 1200x600, 10,392llm, IP65, Opal, Colour 84	76.8W	135
IMPR65 126 L152	IMPR, Pull-Up, 1200x600, 11,600llm, IP65, Opal, Colour 84	86.9W	133
Microprism			
IMPR65 L35 MP	IMPR, Pull-Up, 600x600, 2,125llm, IP65, Microprism, Colour 84	20.2W	105
IMPR65 L45 MP	IMPR, Pull-Up, 600x600, 2,732llm, IP65, Microprism, Colour 84	25.8W	106
IMPR65 L55 MP	IMPR, Pull-Up, 600x600, 3,339llm, IP65, Microprism, Colour 84	32.9W	101
IMPR65 L68 MP	IMPR, Pull-Up, 600x600, 4,128llm, IP65, Microprism, Colour 84	40.8W	101
IMPR65 L76 MP	IMPR, Pull-Up, 600x600, 4,613llm, IP65, Microprism, Colour 84	44.9W	103
IMPR65 123 L35 MP	IMPR, Pull-Up, 1200x300, 2,016llm, IP65, Microprism, Colour 84	19.8W	102
IMPR65 123 L45 MP	IMPR, Pull-Up, 1200x300, 2,592llm, IP65, Microprism, Colour 84	24.2W	107

IMPR65 123 L55 MP	IMPR, Pull-Up, 1200x300, 3,168lm, IP65, Microprism, Colour 84	30.1W	105
IMPR65 123 L68 MP	IMPR, Pull-Up, 1200x300, 3,917lm, IP65, Microprism, Colour 84	36.7W	107
IMPR65 123 L76 MP	IMPR, Pull-Up, 1200x300, 4,378lm, IP65, Microprism, Colour 84	41.0W	107
IMPR65 126 L70 MP	IMPR, Pull-Up, 1200x600, 4,634lm, IP65, Microprism, Colour 84	38.1W	122
IMPR65 126 L90 MP	IMPR, Pull-Up, 1200x600, 5,958lm, IP65, Microprism, Colour 84	49.0W	122
IMPR65 126 L136 MP	IMPR, Pull-Up, 1200x600, 9,009lm, IP65, Microprism, Colour 84	76.8W	117
IMPR65 126 L152 MP	IMPR, Pull-Up, 1200x600, 10,062lm, IP65, Microprism, Colour 84	86.9W	116

Use SP Kit for concealed ceilings. 1200x600 and 1200x300 are not suitable for concealed ceilings. Please ensure that the ceiling is adequately strengthened to support the IMPR weight.

DIMMING

Code	Description
A	DALI Digital Addressable Lighting Interface
S	Switch Dimming
D	DSI Digital Dimming
H	HFR Analogue 1-10v
C	Bi-Level Dimming For Standalone Switched Sensor
WT	White Tunable (Lumen Outputs Vary from Standard)

[Please click here for full details on our white tunable offer](#)

CONTROL

Code	Description
RLI	Reacta-Link, Wireless Enabled Luminaire
RD	Reacta-Dim, Wireless Dimming / Switching

[Please click here for full details on our wireless controls.](#)

EMERGENCY

Code	Description
LE3	Lithium Standard Emergency 3 Hour
LS3	Lithium Selftest Emergency 3 Hour
LA3	Lithium Autotest Emergency 3 Hour
LSTR	Lithium Reacta-Link Emergency 3 Hour
CB	Central Battery, Please specify 50v, 110v or 230v when ordering

MISCELLANEOUS

Code	Description
C**	Select Colour Temperature and Rendering; C83, C84, C85, C865, C93, C94
TRS	Tamper Resistant Screws
TRS INSTALL KIT	Tamper Resistant Compatible Screwdriver Heads
SP	Spring T Ceiling Kit, 600x600 Variants Only