



PRODUCT SPECIFICATION

HYDRA



INTRODUCTION

Using the latest branded LEDs and drivers we are now able to offer an LED variant in our very successful Hydra range of luminaires. The benefits of LED allow us to offer this luminaire in a wide range of lumen outputs with light output ratios in excess of 90% combined with a 5 year warranty (subject to terms and conditions, please see our warranty page for full details).

The Hydra LED can also be offered in a range of dimming variants, white tunable and with integral three hour emergency. We supply the Hydra LED with stainless steel clips and screws as standard in order to ensure that the luminaire has tooled access in compliance with regulations.

The Hydra LED is ideally suited to industrial applications where protection from dirt and dust ingress and light impact is essential, especially in areas where access is difficult and the cost of maintaining traditional fluorescent sources is high and is suitable for use in applications where the temperature ranges from -20°C to +25°C.

- CE
- IP65
- L90 / 60K OPERATING HOURS
- 3 STEP MACADAM ELLIPSE

APPLICATION

- Corridor

- Exterior
- Food/Clean Area
- Healthcare/Social Housing
- Hotel/Leisure
- Industrial/Manufacturing
- Parking/Exterior
- Retail
- Stairwell
- Store Room
- Transport
- Warehouse/Storage

SPECIFICATION

CONSTRUCTION

- Glass reinforced polyester housing.
- Polycarbonate diffuser.
- Steel gear tray powder painted white.
- Stainless steel diffuser clips as standard.
- Ip65 rated.

PERFORMANCE

- Light output ratio of 90%
- Up to 140 luminaire lumens per circuit watt.
- LM80 verified: 90% LED lumen maintenance at 60,000 operating hours.
- Standard Deviation Colour Match – 3 Step Macadam's Ellipse.

CONTROL

- Available with Switch dimming, DALI dimming, HFR 1-10v Analogue dimming and Digital dimming.
- White Tunable, Lumen outputs vary, please contact our sales department for details

EMERGENCY

- Available with optional standard, self test and autotest integral emergency with lithium batteries for extended warranty and lifetime.

INSTALLATION

- Suitable for chain suspension (please specify additional Eye Bolt Kits if required).
- Suitable for trunking mounting via four knock out positions in the rear of the housing.
- Suitable for conduit entry through 20mm apertures in luminaire ends.

IMAGES

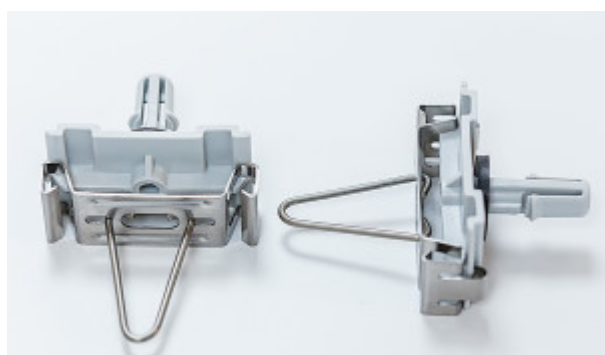
PRODUCT IMAGES



Hydra LED

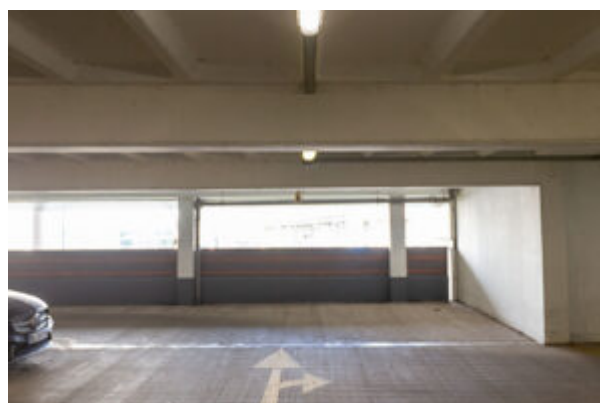
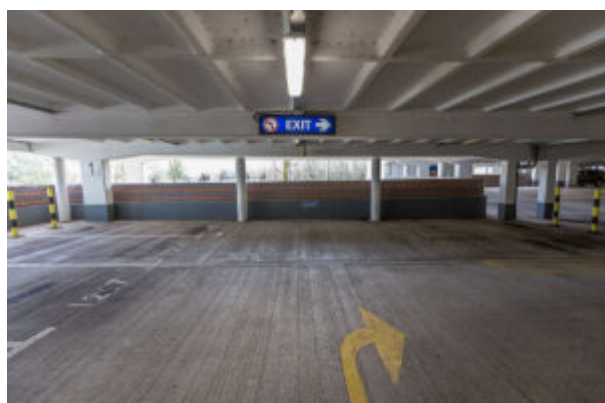


Hydra LED twin



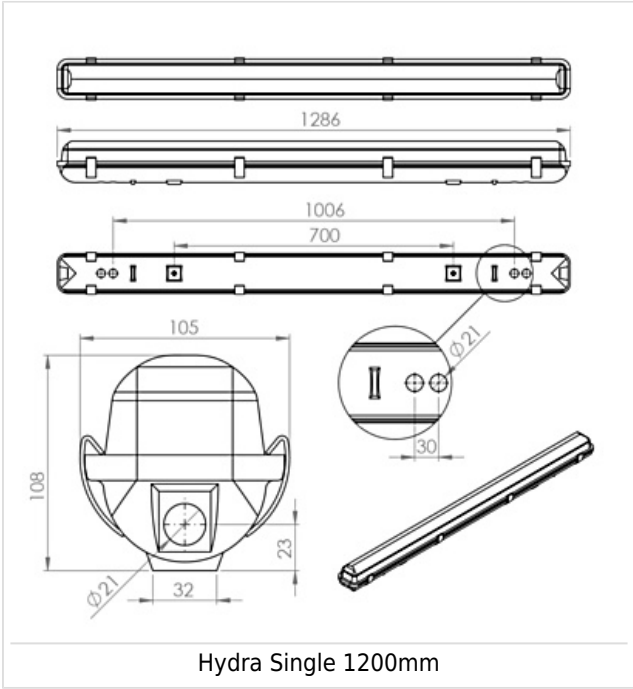
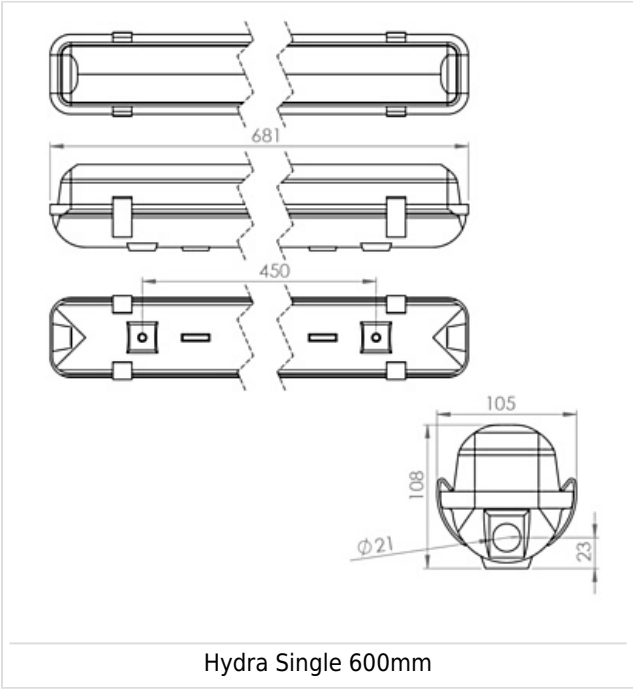
C2243 Hydra Mounting Clip

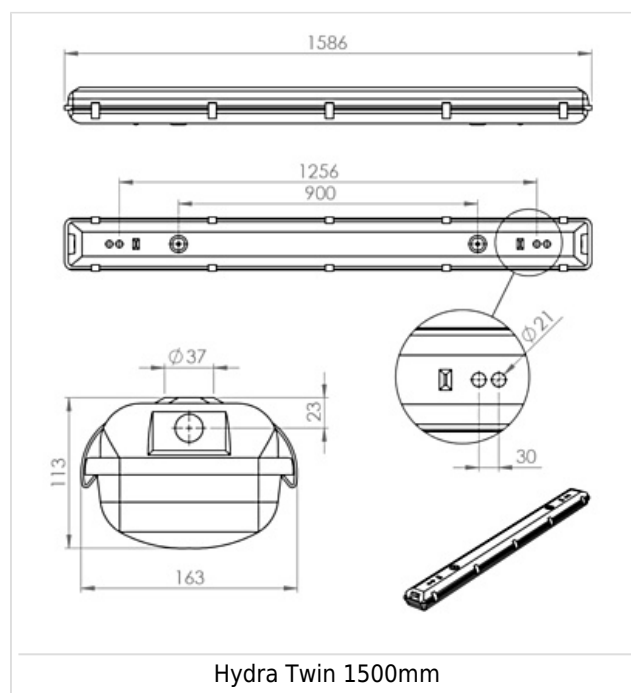
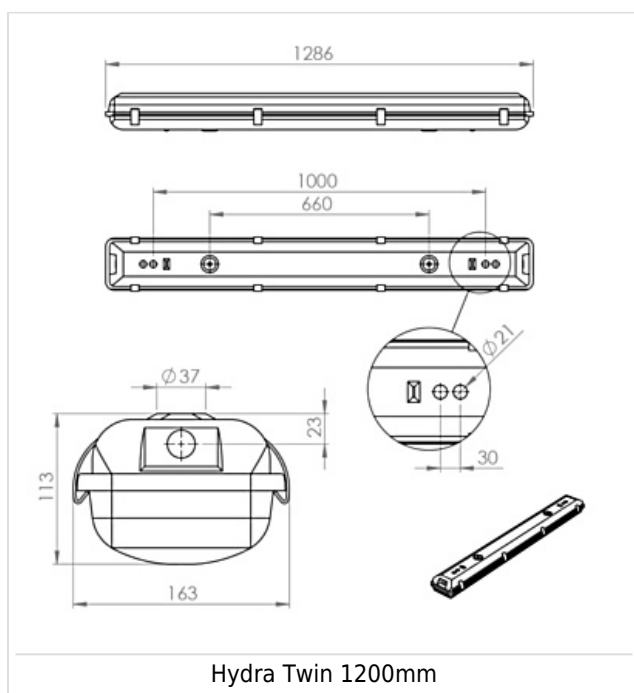
PROJECT IMAGES





TECHNICAL





WARRANTY

At Dextra our commitment to service has been at the forefront throughout our history spanning more than forty years in the UK lighting market. Our service ethos extends beyond design and delivery, we believe supporting your installation throughout the warranty period is equally crucial, whilst the strength and longevity of Dextra Group provides peace of mind that our warranty will be supported throughout.

The Dextra range is supplied with a five year warranty commencing from the date of delivery. During the first three years defects will be repaired on site and the warranty will include both parts and labour. For the final two years drivers, emergency modules, wireless modules, sensors and LED circuits will be supplied free of charge to replace defective components, labour and other associated costs are not included.

Certain ranges and components are subject to exemptions:

- Lithium batteries are provided with a three year warranty for parts and labour. Nickel Metal Hydride and Nickel Cadmium batteries are provided with a one year warranty for parts and labour.
- Emergency luminaires including AME LED, EX1 LED, EX12 LED, EX1 Track, HBE LED, HBE2 LED, OAT2 LED, OEZ LED and Twinspot with Nickel Metal Hydride batteries are supplied with a one year warranty for parts and labour. Lithium variants of these ranges are supplied with a three year warranty for parts and labour with the exception of the AME2, EX13, HBE3 and TWS IP65 L7 ranges which are supplied with a one year parts and labour warranty.
- Protec Micro, 7W Fire Rated Downlights and Serenus are provided with a five year replacement luminaire only warranty.
- Controls systems such as standalone sensors, switches, marshalling boxes and cabling are provided with a one year warranty for both parts and labour. DALI control systems are provided with a two year warranty for both parts and labour.
- LEDextra ranges including Glide Power, Glide Mini, Glide RGBW, Colour Glide, Glide In Ground, Glide Pixel and AluLED ranges are supplied with a three year parts or replacement luminaire only warranty.
- LEDEX ranges are supplied with a three year replacement luminaire only warranty.

All warranties are subject to correct use of the product and will be invalidated by misuse, for example incorrect installation, unsuitable environmental conditions or incorrect maintenance. It is the duty of the customer to ensure that all the fault lies with the luminaire prior to requesting replacement parts or site repairs. In the event that no defect is found with the product our costs for attending site will be recharged to the customer and credit will not be issued against returned products. No consequential losses incurred resulting from any defect with our product will be reimbursed.

Given the nature of LED technology a small percentage of LEDs may fail during the lifetime of a luminaire, this does not cause a reduction in lumen output. As such LED luminaires are only deemed to be faulty for warranty purposes when in excess of ten percent of LEDs have failed in a single luminaire

On site repair of products under warranty will be undertaken during normal working hours, 9am to 5pm Monday to Friday, and will require unrestricted access to luminaires. Where required Dextra will provide access equipment to carry out repairs at height, should luminaires have been installed in locations where reasonable provision for maintenance access has not been made we reserve the right to supply replacement product only.

If you require any assistance with regards to our products please contact our Customer Services department on 01747 858100.

[DOWNLOAD WARRANTY PDF](#)

ORDER CODES

LUMINAIRE

| Code | Description | Circuit Wattage | Llm/W |
|--------------------|--|-----------------|-------|
| Single Body | | | |
| HYD L26 PC 4S | Hydra, 1200mm, 2,452llm, Polycarbonate Diffuser, Colour 84 | 16.4W | 149 |
| HYD L38 PC 4S | Hydra, 1200mm, 3,586llm, Polycarbonate Diffuser, Colour 84 | 23.4W | 153 |
| Twin Body | | | |
| HYD L22 PC 2T | Hydra, 600mm, 2,046llm, Polycarbonate Diffuser, Colour 84 | 15.1W | 135 |
| HYD L87 PC 4T | Hydra, 1200mm, 7,948llm, Polycarbonate Diffuser, Colour 84 | 49.4W | 160 |

DIMMING

| Code | Description |
|------|--|
| A | DALI Digital Addressable Lighting Interface |
| S | Switch Dimming |
| D | DSI Digital Dimming |
| H | HFR Analogue 1-10v |
| C | Bi-Level Dimming For Standalone Switched Sensor |
| WT | White Tunable (Lumen Outputs Vary from Standard) |

Please click [here](#) for full details on our white tunable offer

CONTROL

| Code | Description |
|------|--|
| RLI | Reacta-Link, Wireless Enabled Luminaire |
| RD | Reacta-Dim, Wireless Dimming / Switching |

EMERGENCY

| Code | Description |
|------|---|
| LE3 | Lithium Standard Emergency 3 Hour |
| LS3 | Lithium Selftest Emergency 3 Hour |
| LA3 | Lithium Autotest Emergency 3 Hour |
| LSTR | Lithium Reacta-Link Emergency 3 Hour |
| CB | Central Battery, Please specify 50v, 110v or 230v when ordering |

L22 variants are not available with both DALI and LA3 control gear.

MISCELLANEOUS

| Code | Description |
|-----------------|--|
| C** | Select Colour Temperature and Rendering; C83, C84, C85, C865, C93, C94 |
| TRS | Tamper Resistant Screws |
| TRS INSTALL KIT | Tamper Resistant Compatible Screwdriver Heads |
| C2243 | Hydra Mounting Clip |

Supplied with stainless steel clips as standard.