



PRODUCT SPECIFICATION

HBE2 LED



INTRODUCTION

This highly versatile exit sign is designed to suit nearly all emergency exit applications. The standard product is suitable for both suspension and surface mounting, whilst the blade angle can be pivoted through a range of angles when mounting onto sloped ceilings. In addition to this, recessing kits and wall mounting kits are available as optional extras.

Operating at just 2.7W, the HBE2 LED offers excellent energy efficiency and is also available with both standard, self test and autotest options. Legends are also available in both Euro Norm and ISO 7010 formats. Please note that autotest variants are only available in the HBE range.

- CE

APPLICATION

- Commercial/Offices
- Corridor
- Education
- Food/Clean Area
- Healthcare/Social Housing
- Hotel/Leisure
- Industrial/Manufacturing
- Retail

- Stairwell
- Transport
- Warehouse/Storage

SPECIFICATION

CONSTRUCTION

- Polycarbonate injection moulded housing.
- Adjustable edge lit hanging blade

EMERGENCY

- Available in both self test and standard emergency.

INSTALLATION

- Suitable for both suspended and surface mounting as standard.
- Available with optional recessing or wall mounting kits.
- Adjustable blade angle for sloped ceilings (not applicable when recessed).
- Maximum Viewing Distance 31M.

IMAGES

PRODUCT IMAGES



HBE2 LED

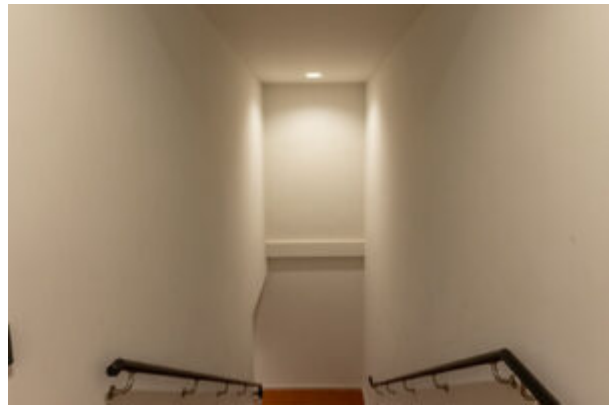
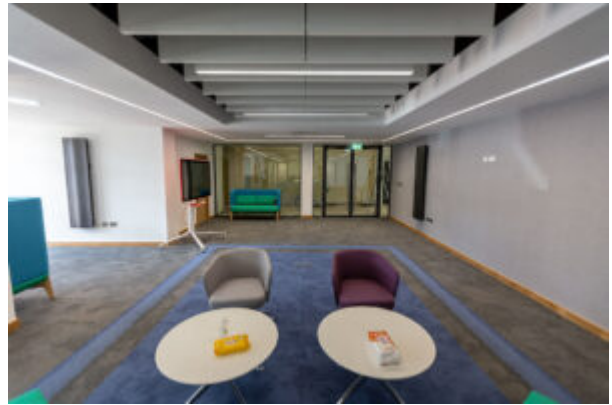
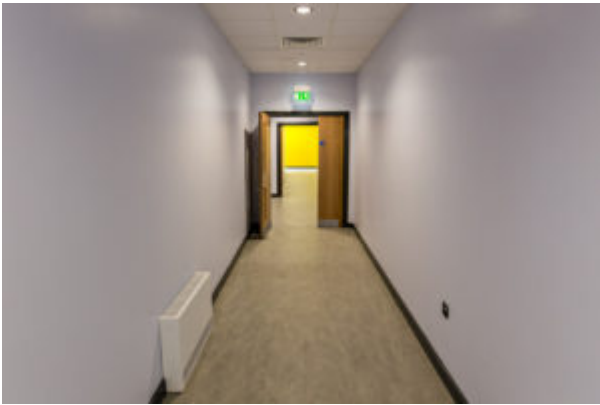


HBE2 LED with Recessing Kit HBE2 RK

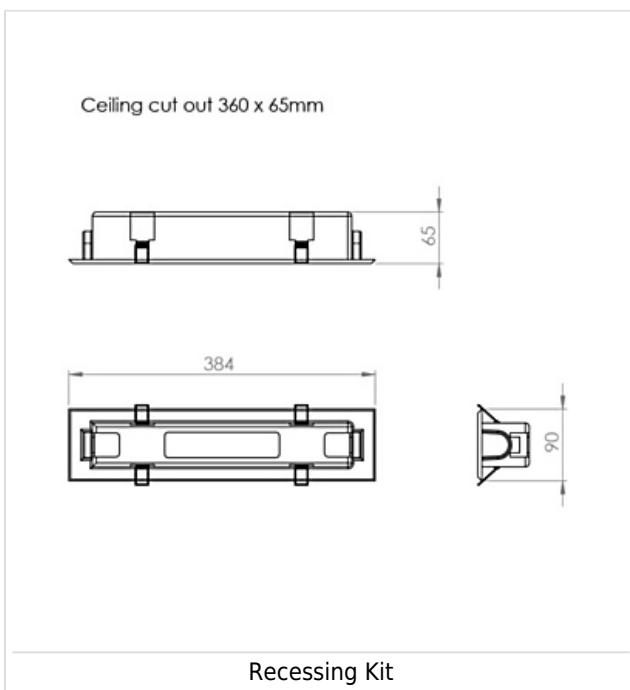
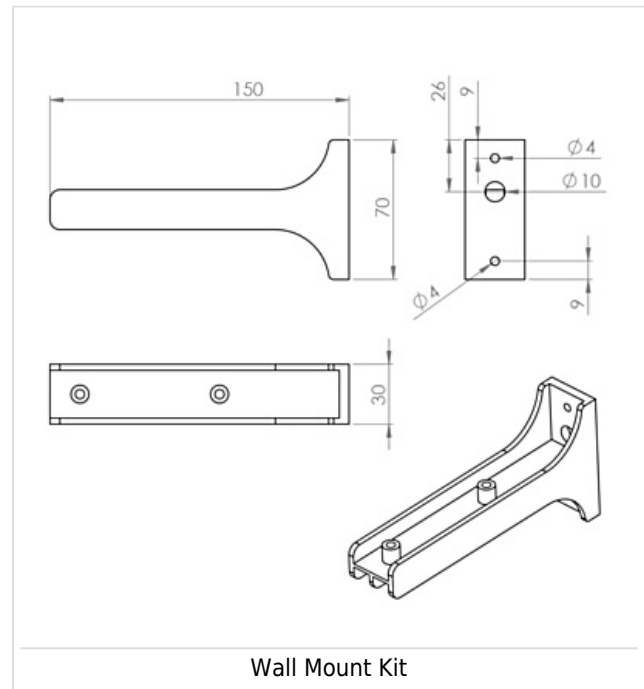
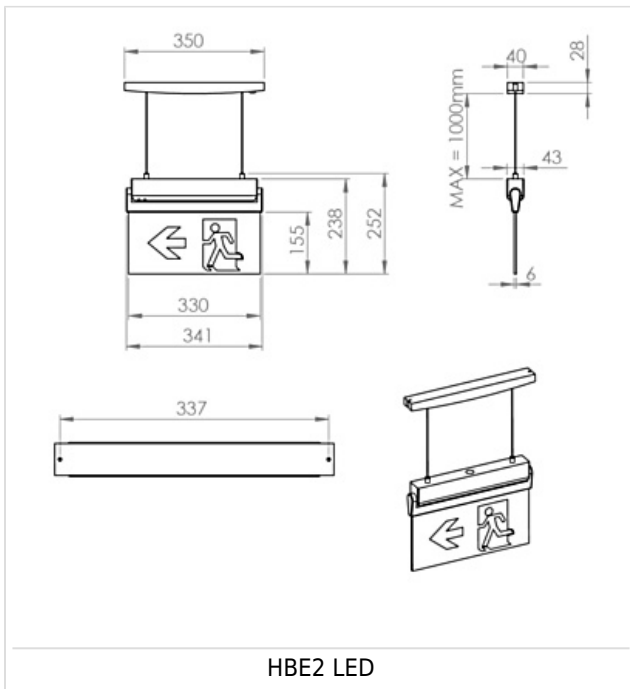


HBE2 LED wire

PROJECT IMAGES



TECHNICAL



WARRANTY

At Dextra our commitment to service has been at the forefront throughout our history spanning more than forty years in the UK lighting market. Our service ethos extends beyond design and delivery, we believe supporting your installation throughout the warranty period is equally crucial, whilst the strength and longevity of Dextra Group provides peace of mind that our warranty will be supported throughout.

The Dextra range is supplied with a five year warranty commencing from the date of delivery. During the first three years

defects will be repaired on site and the warranty will include both parts and labour. For the final two years drivers, emergency modules, wireless modules, sensors and LED circuits will be supplied free of charge to replace defective components, labour and other associated costs are not included.

Certain ranges and components are subject to exemptions:

- Lithium batteries are provided with a three year warranty for parts and labour. Nickel Metal Hydride and Nickel Cadmium batteries are provided with a one year warranty for parts and labour.
- Emergency luminaires including AME LED, EXI LED, EXI2 LED, EXI Track, HBE LED, HBE2 LED, OAT2 LED, OEZ LED and Twinspace with Nickel Metal Hydride batteries are supplied with a one year warranty for parts and labour. Lithium variants of these ranges are supplied with a three year warranty for parts and labour with the exception of the AME2, EXI3, HBE3 and TWS IP65 L7 ranges which are supplied with a one year parts and labour warranty.
- Protec Micro, 7W Fire Rated Downlights and Serenus are provided with a five year replacement luminaire only warranty.
- Controls systems such as standalone sensors, switches, marshalling boxes and cabling are provided with a one year warranty for both parts and labour. DALI control systems are provided with a two year warranty for both parts and labour.
- LEDextra ranges including Glide Power, Glide Mini, Glide RGBW, Colour Glide, Glide In Ground, Glide Pixel and AluLED ranges are supplied with a three year parts or replacement luminaire only warranty.
- LEDEX ranges are supplied with a three year replacement luminaire only warranty.

All warranties are subject to correct use of the product and will be invalidated by misuse, for example incorrect installation, unsuitable environmental conditions or incorrect maintenance. It is the duty of the customer to ensure that all the fault lies with the luminaire prior to requesting replacement parts or site repairs. In the event that no defect is found with the product our costs for attending site will be recharged to the customer and credit will not be issued against returned products. No consequential losses incurred resulting from any defect with our product will be reimbursed.

Given the nature of LED technology a small percentage of LEDs may fail during the lifetime of a luminaire, this does not cause a reduction in lumen output. As such LED luminaires are only deemed to be faulty for warranty purposes when in excess of ten percent of LEDs have failed in a single luminaire

On site repair of products under warranty will be undertaken during normal working hours, 9am to 5pm Monday to Friday, and will require unrestricted access to luminaires. Where required Dextra will provide access equipment to carry out repairs at height, should luminaires have been installed in locations where reasonable provision for maintenance access has not been made we reserve the right to supply replacement product only.

If you require any assistance with regards to our products please contact our Customer Services department on 01747 858100.

[DOWNLOAD WARRANTY PDF](#)

ORDER CODES

LUMINAIRE CODES

Code	Description
HBE2 LED M3	HBE2 LED Maintained Emergency, 3 Hour
HBE2 LED ST3	HBE2 LED Self Test Emergency, 3 Hour

MISCELLANEOUS

Code	Description
HBE2	
HBE2 DL	HBE2 Legend Down Arrow, Euro Norm Format
HBE2 LL	HBE2 Legend Left Arrow, Euro Norm Format
HBE2 RL	HBE2 Legend Right Arrow, Euro Norm Format
HBE2 UL	HBE2 Legend Up Arrow, Euro Norm Format
HBE2 DL ISO7010	HBE2 Legend Down Arrow, ISO 7010 Format
HBE2 LL ISO7010	HBE2 Legend Left Arrow, ISO 7010 Format
HBE2 RL ISO7010	HBE2 Legend Right Arrow, ISO 7010 Format
HBE2 UL ISO7010	HBE2 Legend Up Arrow, ISO 7010 Format
HBE2 RK	HBE2 Recessing Kit
HBE2 WMK	HBE2 Wall Mounting Kit
HBE2 LED 5M WIRE KIT	HBE2 5M Suspension Kit

Where double sided legends are required, please order two legends.

Where double handed left or right legends are required, please use one of each direction to ensure they indicate the same direction from each side.