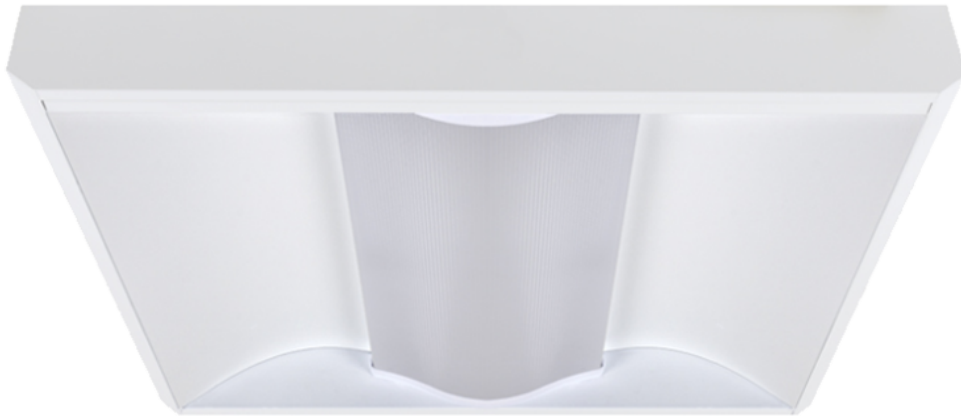




PRODUCT SPECIFICATION

GRADUATE SURFACE LED



INTRODUCTION

The Graduate Surface LED incorporates a traditional direct / indirect gull-wing aesthetic and uses the latest branded LEDs ensuring optimum efficiency and product life time. With a wide range of lumen outputs, 600×600 and 1200×600 options, as well as the ability to incorporate all common dimming, white tunable and emergency systems the Graduate Surface LED is a highly flexible and versatile surface mount solution. With a steel housing, rolled aluminium gull wing reflectors and extruded opal prismatic polycarbonate diffuser with injection moulded retaining end caps the Graduate Surface LED does not compromise quality for versatility. The 2861lm and the 5722lm luminaire lumen variants fall below the 3000 candela limit and are therefore suitable for installation in applications with VDUs in use such as schools, hospitals and universities.

- CE
- IP20
- L90 / 60K OPERATING HOURS
- 3 STEP MACADAM ELLIPSE

APPLICATION

- Canteen
- Commercial/Offices
- Corridor
- Education
- Healthcare/Social Housing

- Hotel/Leisure
- Industrial/Manufacturing
- Office
- Retail
- Transport
- Warehouse/Storage

SPECIFICATION

CONSTRUCTION

- Injection moulded end caps.
- Steel housing powder painted white.
- Precoat aluminium white gull-wing reflectors.
- Prismatic opal extruded diffuser.

PERFORMANCE

- The 2861lm and the 5722lm luminaire lumen variants fall below the 3000 candela limit and are suitable for use in offices and classrooms.
- Although lumen packages will always remain the same, lumens per watt will only improve in line with developments in LED chip technology. This offers improved performance and greater efficiency. For further information about the current generation please contact the Dextra Technical team on 01747 858100.
- LM80 verified: 90% LED lumen maintenance at 60,000 operating hours.
- Standard Deviation Colour Match – 3 Step Macadam’s Ellipse.
- L2 compliant*

*Specific variants only

CONTROL

- All lumen outputs can be offered with HFR dimming, DALI dimming and Switch dimming.
- White Tunable, Lumen outputs vary, please contact our sales department for details

EMERGENCY

- All variants of the Graduate Surface can be offered with integral 3 hour emergency.
- White Tunable, Lumen outputs vary, please contact our sales department for details

INSTALLATION

- Surface mount installation suitable for a range of ceiling types.
-

IMAGES

PRODUCT IMAGES

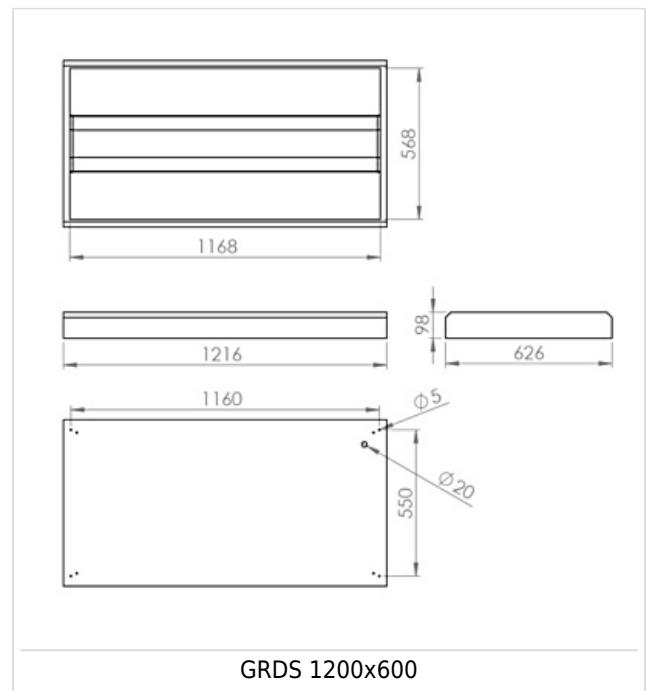
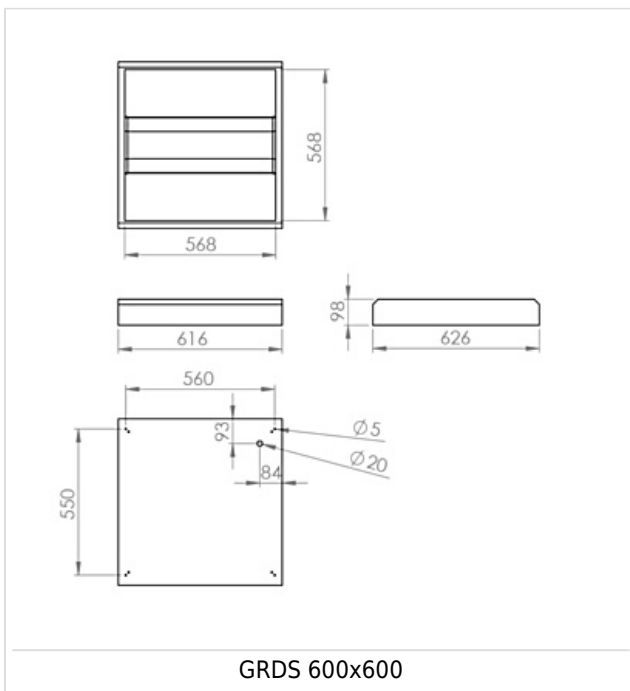


Graduate Surface LED



Graduate LED with Reacta-Air

TECHNICAL



WARRANTY

At Dextra our commitment to service has been at the forefront throughout our history spanning more than forty years in the UK lighting market. Our service ethos extends beyond design and delivery, we believe supporting your installation

throughout the warranty period is equally crucial, whilst the strength and longevity of Dextra Group provides peace of mind that our warranty will be supported throughout.

The Dextra range is supplied with a five year warranty commencing from the date of delivery. During the first three years defects will be repaired on site and the warranty will include both parts and labour. For the final two years drivers, emergency modules, wireless modules, sensors and LED circuits will be supplied free of charge to replace defective components, labour and other associated costs are not included.

Certain ranges and components are subject to exemptions:

- Lithium batteries are provided with a three year warranty for parts and labour. Nickel Metal Hydride and Nickel Cadmium batteries are provided with a one year warranty for parts and labour.
- Emergency luminaires including AME LED, EXI LED, EXI2 LED, EXI Track, HBE LED, HBE2 LED, OAT2 LED, OEZ LED and Twinspot with Nickel Metal Hydride batteries are supplied with a one year warranty for parts and labour. Lithium variants of these ranges are supplied with a three year warranty for parts and labour.
- Protec Micro, Fire Rated Downlights and Serenus are provided with a five year replacement luminaire only warranty.
- Controls systems such as standalone sensors, switches, marshalling boxes and cabling are provided with a one year warranty for both parts and labour. DALI control systems are provided with a two year warranty for both parts and labour.
- LEDextra ranges including Glide Power, Glide Mini, Glide RGBW, Colour Glide, Glide In Ground, Glide Pixel and AluLED ranges are supplied with a three year parts or replacement luminaire only warranty.
- LEDEX ranges are supplied with a three year replacement luminaire only warranty.

All warranties are subject to correct use of the product and will be invalidated by misuse, for example incorrect installation, unsuitable environmental conditions or incorrect maintenance. It is the duty of the customer to ensure that all the fault lies with the luminaire prior to requesting replacement parts or site repairs. In the event that no defect is found with the product our costs for attending site will be recharged to the customer and credit will not be issued against returned products. No consequential losses incurred resulting from any defect with our product will be reimbursed.

Given the nature of LED technology a small percentage of LEDs may fail during the lifetime of a luminaire, this does not cause a reduction in lumen output. As such LED luminaires are only deemed to be faulty for warranty purposes when in excess of ten percent of LEDs have failed in a single luminaire

On site repair of products under warranty will be undertaken during normal working hours, 9am to 5pm Monday to Friday, and will require unrestricted access to luminaires. Where required Dextra will provide access equipment to carry out repairs at height, should luminaires have been installed in locations where reasonable provision for maintenance access has not been made we reserve the right to supply replacement product only.

If you require any assistance with regards to our products please contact our Customer Services department on 01747 858100.

[DOWNLOAD WARRANTY PDF](#)

ORDER CODES

LUMINAIRE CODES

Code	Description	Circuit Wattage	Llm/W
Surface			
GRDS L19 OPTPA	Graduate LED Surface, 600x600mm, 1432llm, Opal TPA Diffuser, Colour 84	12.8W	111
GRDS L24 OPTPA	Graduate LED Surface, 600x600mm, 1789llm, Opal TPA Diffuser, Colour 84	15.2W	117
GRDS L38 OPTPA	Graduate LED Surface, 600x600mm, 2798llm Output, Opal TPA Diffuser, Colour 84	23.4W	119
GRDS L48 OPTPA	Graduate LED Surface, 600x600mm, 3546llm Output, Opal TPA Diffuser, Colour 84	29.2W	121
GRDS L57 OPTPA	Graduate LED Surface, 600x600mm, 4198llm Output, Opal TPA Diffuser, Colour 84	31.6W	132
GRDS L76 OPTPA	Graduate LED Surface, 600x600mm, 5619llm Output, Opal TPA Diffuser, Colour 84	40.8W	137
GRDS 126 L38 OPTPA	Graduate LED Surface, 1200x600mm, 2876llm Output, Opal TPA Diffuser, Colour 84	22.6W	127
GRDS 126 L48 OPTPA	Graduate LED Surface, 1200x600mm, 3642llm Output, Opal TPA Diffuser, Colour 84	28.3W	128
GRDS 126 L76 OPTPA	Graduate LED Surface, 1200x600mm, 5735llm Output, Opal TPA Diffuser, Colour 84	41.4W	138
GRDS 126 L96 OPTPA	Graduate LED Surface, 1200x600mm, 7001llm Output, Opal TPA Diffuser, Colour 84	49.9W	140

DIMMING OPTIONS

Code	Description
A	Digital Addressable Lighting Interface (DALI)
S	Switch Dimming
WT	White Tunable, Lumen outputs vary, please contact our sales department for details
C	Bi-Level Dimming for use with standalone switched sensor
D	Digital Dimming (DSI)
H	High Frequency Dimming (Analogue 1-10v)
	Please click here for full details on our white tunable offer

LIGHTING CONTROLS

Code	Description
EA	Reacta-Air Wireless linking sensor, daylight regulation and presence detection.
RLI	Dextra Reacta-Link System
RLS	Reacta-Link presence detection sensor
RD	Reacta-Dim
	Please click here for full details on our wireless controls.

EMERGENCY

Code	Description
E3	3 Hour Integral Emergency
STR	Reacta Link Emergency
ST3	Self Test
AT3	Autotest Emergency
CB	Please specify 50v, 110v or 230v when ordering