



# PRODUCT SPECIFICATION

---

GRADUATE



---

## INTRODUCTION

---

The Graduate is a mainstay of the Dextra range and has been extensively used in academia and healthcare applications nationwide. Available in four lengths ranging from 600mm to 1800mm, a wide range of lumen outputs as well as dimming and lithium emergency options the Graduate can be tailored for use in applications ranging from classrooms and hospital wards through to circulation and ancillary areas. With a steel housing, polycarbonate diffuser and screw retained injection moulded end caps, long life drivers and LEDs with a lifetime of L90 to 60,000 operating hours the Graduate is designed to offer excellent service life and reliability with minimal maintenance.

The Graduate is suitable for installation on conduit, surface mounting or suspension and can be offered with an optional integral microwave sensor, or the Reacta-Air sensor where wireless grouping of luminaires is required for simultaneous operation. Wireless dimming and control can be offered with our Reacta-Dim system and Reacta-Link options are also available where web based control and reporting of luminaires is required. For healthcare applications a nightlight can be specified to provide low level lighting during rest periods.

- CE
- IP20
- IP40
- IK08
- L90 / 60K OPERATING HOURS
- 3 STEP MACADAM ELLIPSE

---

## APPLICATION

---

- Canteen
- Commercial/Offices
- Corridor
- Education
- Food/Clean Area
- Healthcare/Social Housing
- Hotel/Leisure
- Industrial/Manufacturing
- Retail
- Stairwell
- Store Room
- Transport
- Warehouse/Storage

---

## SPECIFICATION

---

### CONSTRUCTION

- Steel housing powder painted white.
- Robust diffuser with screw retained end caps to help protect against the rigors of school environments.
- Integral gear tray ensures minimal visibility of components when lit and allows for simple installation and maintenance.
- High efficiency opal polycarbonate diffuser unique to Dextra allows optimum light output ratio whilst ensuring excellent diffusion of the LED source.

### PERFORMANCE

- LM80 verified: 90% LED lumen maintenance at 60,000 operating hours.
- Standard Deviation Colour Match – 3 Step Macadam's Ellipse.
- L2 Compliant\*

\*Specific variants only

### CONTROL

- HFR High Frequency Analogue Dimming\*
- SD(E) Switch Dimming.
- DSI(X) Digital addressable lighting interface.
- DSI Digital Dimming\*
- CF(E) Corridor Function Dimming\*
- White Tunable, Lumen outputs vary, please contact our sales department for details.
- Available with integral microwave or Reacta-Air sensor.

\*Not available in all variants

#### EMERGENCY

- Available with optional standard, self test and autotest integral emergency with lithium batteries for extended warranty and lifetime.

#### INSTALLATION

- Fully assembled and ready to install, no requirement for on site assembly.
- Removable gear tray allows for simple installation and maintenance.
- Suitable for surface, suspended and conduit installation.

#### VARIATIONS

- Wide range of lumen outputs in four body lengths.

---

## IMAGES

---

#### PRODUCT IMAGES



Graduate LED



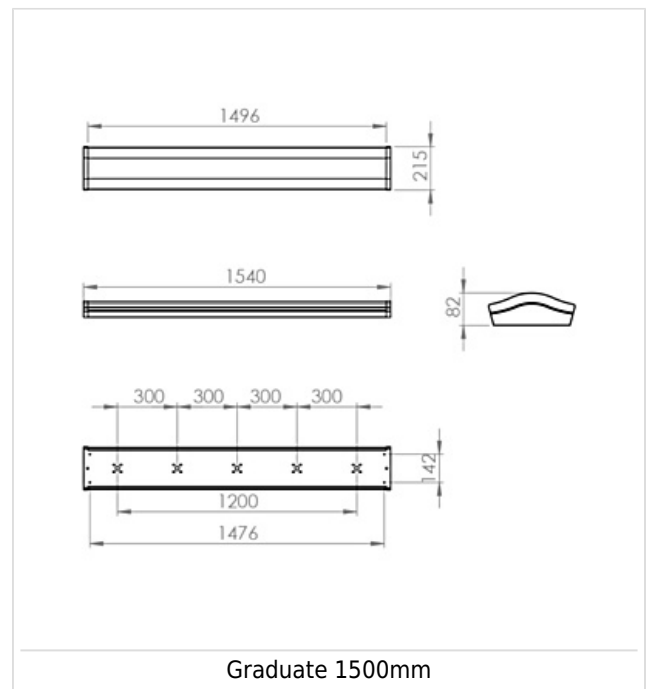
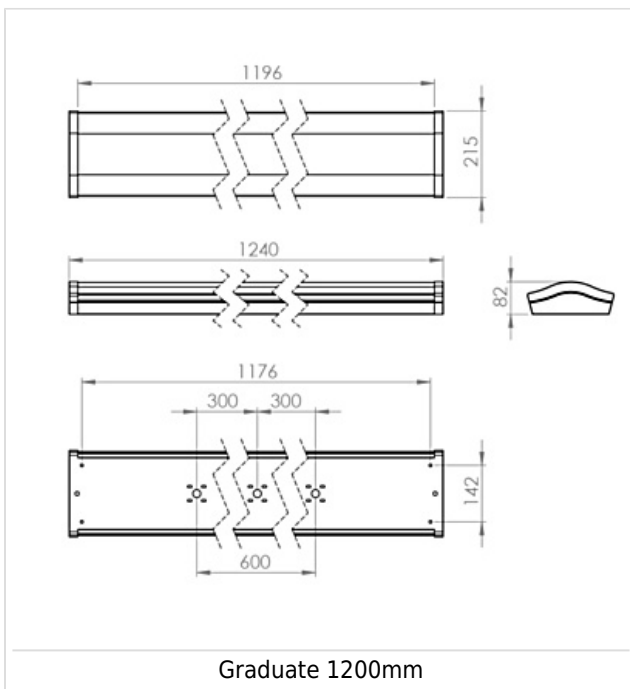
Graduate LED with Reacta-Air

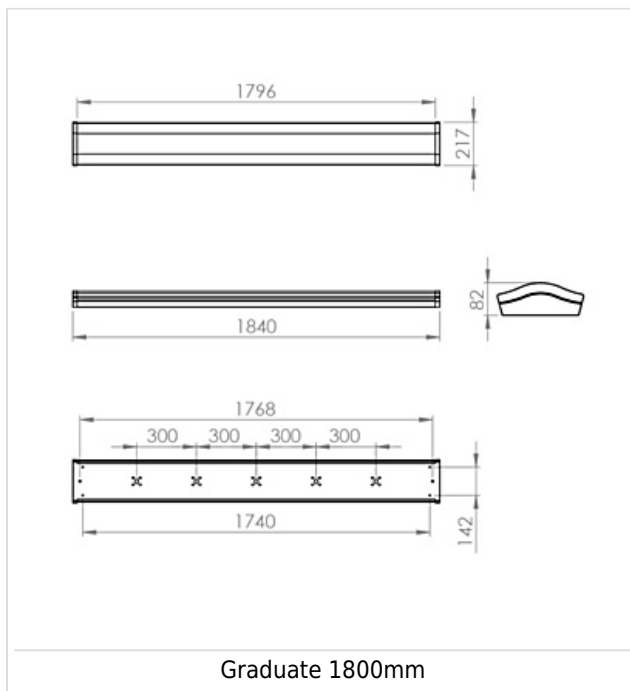
#### PROJECT IMAGES





### TECHNICAL





## WARRANTY

At Dextra our commitment to service has been at the forefront throughout our history spanning more than forty years in the UK lighting market. Our service ethos extends beyond design and delivery, we believe supporting your installation throughout the warranty period is equally crucial, whilst the strength and longevity of Dextra Group provides peace of mind that our warranty will be supported throughout.

The Dextra range is supplied with a five year warranty commencing from the date of delivery. During the first three years defects will be repaired on site and the warranty will include both parts and labour. For the final two years drivers, emergency modules, wireless modules, sensors and LED circuits will be supplied free of charge to replace defective components, labour and other associated costs are not included.

Certain ranges and components are subject to exemptions:

- Lithium batteries are provided with a three year warranty for parts and labour. Nickel Metal Hydride and Nickel Cadmium batteries are provided with a one year warranty for parts and labour.
- Emergency luminaires including AME LED, EX1 LED, EX12 LED, EX1 Track, HBE LED, HBE2 LED, OAT2 LED, OEZ LED and Twinspot with Nickel Metal Hydride batteries are supplied with a one year warranty for parts and labour. Lithium variants of these ranges are supplied with a three year warranty for parts and labour with the exception of the AME2, EX13, HBE3 and TWS IP65 L7 ranges which are supplied with a one year parts and labour warranty.
- Protec Micro, 7W Fire Rated Downlights and Serenus are provided with a five year replacement luminaire only warranty.
- Controls systems such as standalone sensors, switches, marshalling boxes and cabling are provided with a one year warranty for both parts and labour. DALI control systems are provided with a two year warranty for both parts and labour.
- LEDextra ranges including Glide Power, Glide Mini, Glide RGBW, Colour Glide, Glide In Ground, Glide Pixel and AluLED ranges are supplied with a three year parts or replacement luminaire only warranty.
- LEDEX ranges are supplied with a three year replacement luminaire only warranty.

All warranties are subject to correct use of the product and will be invalidated by misuse, for example incorrect installation, unsuitable environmental conditions or incorrect maintenance. It is the duty of the customer to ensure that all the fault lies with the luminaire prior to requesting replacement parts or site repairs. In the event that no defect is found with the product our costs for attending site will be recharged to the customer and credit will not be issued against returned products. No consequential losses incurred resulting from any defect with our product will be reimbursed.

Given the nature of LED technology a small percentage of LEDs may fail during the lifetime of a luminaire, this does not cause a reduction in lumen output. As such LED luminaires are only deemed to be faulty for warranty purposes when in excess of ten percent of LEDs have failed in a single luminaire

On site repair of products under warranty will be undertaken during normal working hours, 9am to 5pm Monday to Friday, and will require unrestricted access to luminaires. Where required Dextra will provide access equipment to carry out repairs at height, should luminaires have been installed in locations where reasonable provision for maintenance access has not been made we reserve the right to supply replacement product only.

If you require any assistance with regards to our products please contact our Customer Services department on 01747 858100.

[DOWNLOAD WARRANTY PDF](#)

## ORDER CODES

### LUMINAIRE

Code	Description	Circuit Wattage	lm/W
GRD L22 OPTPA	Graduate, 600mm, 1,693lm, Opal Diffuser, Colour 84	15.1W	105
GRD L26 OPTPA	Graduate, 1200mm, 2,056lm, Opal Diffuser, Colour 84	16.4W	125
GRD L38 OPTPA	Graduate, 1200mm, 3,026lm, Opal Diffuser, Colour 84	23.4W	129
GRD L87 OPTPA	Graduate, 1200mm, 6,811lm, Opal Diffuser, Colour 84	49.4W	137
GRD L35 OPTPA	Graduate, 1500mm, 2,752lm, Opal Diffuser, Colour 84	21.9W	125
GRD L45 OPTPA	Graduate, 1500mm, 3,520lm, Opal Diffuser, Colour 84	26.0W	135
GRD L54 OPTPA	Graduate, 1500mm, 4,242lm, Opal Diffuser, Colour 84	31.7W	133
GRD L63 OPTPA	Graduate, 1500mm, 4,953lm, Opal Diffuser, Colour 84	37.6W	131
GRD L96 OPTPA	Graduate, 1500mm, 7,494lm, Opal Diffuser, Colour 84	53.0W	141
GRD L132 OPTPA	Graduate, 1500mm, 10,296lm, Opal Diffuser, Colour 84	74.9W	137
GRD L45 OPTPA 6FT	Graduate, 1800mm, 3,582lm, Opal Diffuser, Colour 84	26.9W	133
GRD L65 OPTPA 6FT	Graduate, 1800mm, 5,155lm, Opal Diffuser, Colour 84	38.0W	135
GRD L90 OPTPA 6FT	Graduate, 1800mm, 7,137lm, Opal Diffuser, Colour 84	48.5W	147

### DIMMING

Code	Description
A	DALI Digital Addressable Lighting Interface
S	Switch Dimming
D	DSI Digital Dimming
C	Bi-Level Dimming For Standalone Switched Sensor
H	HFR Analogue 1-10v
WT	White Tunable (Lumen Outputs Vary from Standard)

Please click [here](#) for full details on our white tunable offer

**CONTROL**

Code	Description
R25E	Reacta 25, Presence & Bright Out, On / Off, 2.5-4M
R25C*	Reacta 25, Presence & Bright Out, Bi-Level Dimming, 2.5-4M
R25W	Reacta 25, Wireless, Presence & Bright Out, Dimmable, 2.5-4M
R25WE	Reacta 25, Wireless, Presence & Bright Out, On / Off, 2.5-4M
EA	Reacta-Air Infra Red, Wireless, Presence & Daylight, 2.5-4M
RAS	Reacta-Air Bluetooth, Wireless, Presence & Daylight, 2.5-4M
RLI	Reacta-Link, Wireless Enabled Luminaire
RLM	Reacta-Link, Wireless, Presence, 2.5-4M
RD	Reacta-Dim, Wireless Dimming / Switching

Please click [here](#) for full details on our wireless controls.

\*Bi-Level dimming. Will only dim the luminaire to 10% during absence and bright out, it will not turn the luminaire off unless combined with separate photocell for dusk to dawn operation.

Should a Clear Prismatic TPA Option be required, please refer to the Sales Team

**EMERGENCY**

Code	Description
LE3	Lithium Standard Emergency 3 Hour
LS3	Lithium Selftest Emergency 3 Hour
LA3	Lithium Autotest Emergency 3 Hour
LSTR	Lithium Reacta-Link Emergency 3 Hour
CB	Central Battery, Please specify 50v, 110v or 230v when ordering

**MISCELLANEOUS**

Code	Description
C**	Select Colour Temperature and Rendering; C83, C84, C85, C865, C93, C94
GRD IP40 Gasket	IP40 Gasket
P410 ELITE	Four point suspension kit
NL	Night Light

Night light available on request, we recommend the use of Corridor Function dimming in most nightlight applications, however a separate source can be supplied for our highest lumen output variants.