

PRODUCT SPECIFICATION

ECOPAK LED



INTRODUCTION

Our Ecopak range of battens has offered quick and simple replacement of existing luminaires with energy efficient sources for many years and has enjoyed a great deal of success with several of our blue chip clients. The Ecopak LED brings these same benefits combined with the increased energy efficiency and low maintenance of an LED source giving even greater return on investment.

The Ecopak LED allows for quick and simple installation with one for one replacement of existing luminaires. The footprint matches that of a typical fluorescent T8 batten and installation is simplified with a two part construction with rear spine and one piece clip in gear tray and diffuser allowing the spine to be mounted before electrical connections are made and the gear tray is snapped into place.

The Ecopak LED luminaires is available with integral emergency in basic, Self Test and Autotest variants and a range of optics providing open area or narrow distributions to allow for replacement of fluorescent battens installed with trough or high rack reflectors. Now available with white tunable.

- CE
- IP20
- L90 / 60K OPERATING HOURS
- 3 STEP MACADAM ELLIPSE

APPLICATION

- Commercial/Offices
- Corridor
- Education
- Healthcare/Social Housing
- Hotel/Leisure
- Industrial/Manufacturing
- Retail
- Stairwell
- Store Room
- Transport
- Warehouse/Storage

SPECIFICATION

CONSTRUCTION

- Steel housing and gear tray powder painted white.
- High transmission opal polycarbonate diffuser.
- Injection moulded polycarbonate end caps.

PERFORMANCE

- Light output ratio in excess of 88%.
- up to 134 luminaire lumens per circuit watt.
- LM80 verified: 90% LED lumen maintenance for 60,000 operating hours.
- Standard Deviation Colour Match – 3 Step Macadam’s Ellipse.

CONTROL

- Available with Switch dimming, Dali dimming, HFR 1-10v Analogue dimming and Digital dimming.
- White Tunable, Lumen outputs vary, please contact our sales department for details

EMERGENCY

- Available with standard, self test and autotest dimming.

INSTALLATION

- Gear tray retained to spine with 4 quick release spring clips allowing for quick and easy installation.
- Besa fixings in spine suitable for surface or trunking mounting.

IMAGES

PRODUCT IMAGES

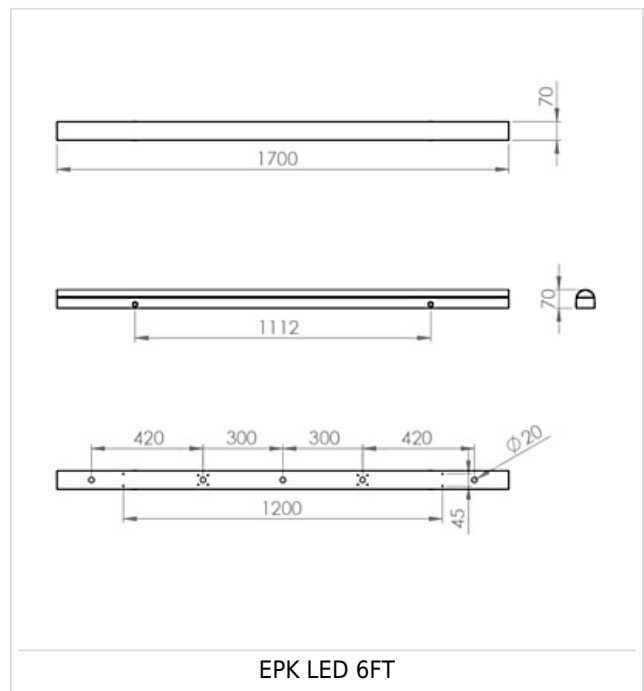
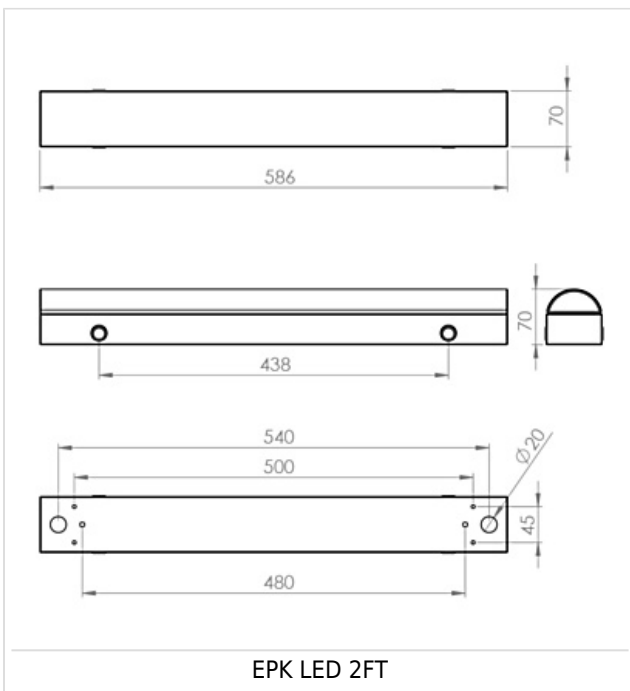
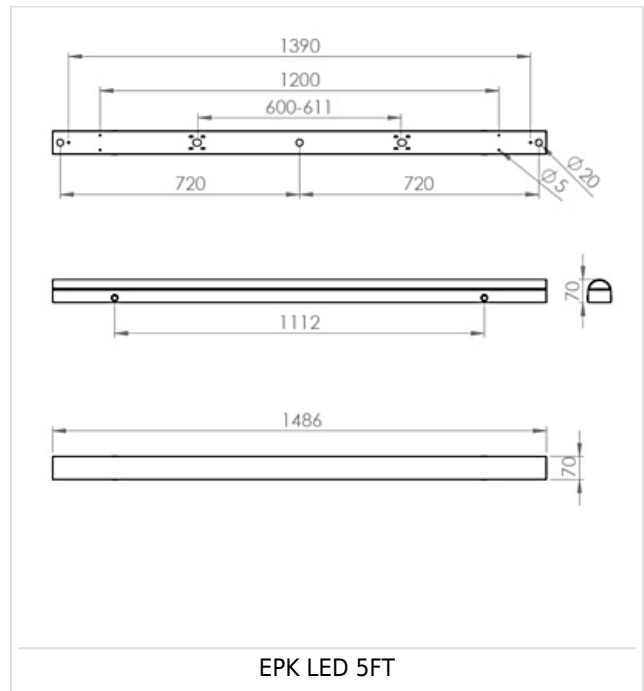
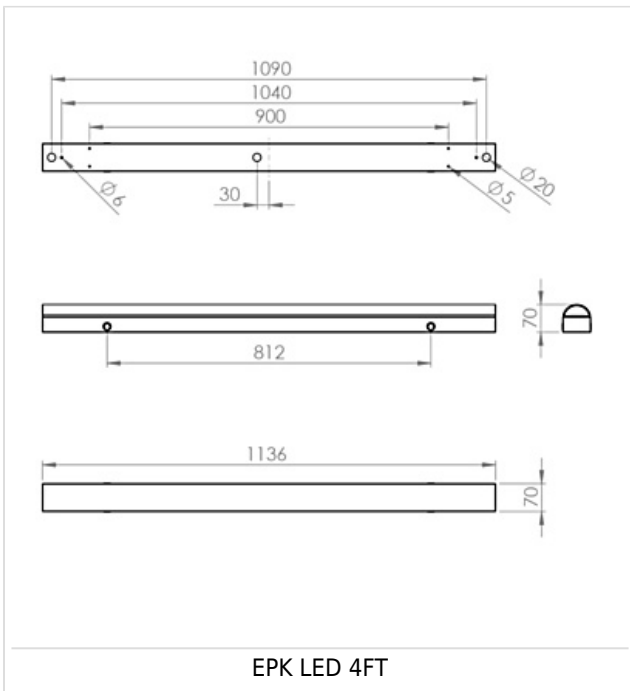


ECOPAK LED

PROJECT IMAGES



TECHNICAL



WARRANTY

At Dextra our commitment to service has been at the forefront throughout our history spanning more than forty years in the UK lighting market. Our service ethos extends beyond design and delivery, we believe supporting your installation throughout the warranty period is equally crucial, whilst the strength and longevity of Dextra Group provides peace of mind that our warranty will be supported throughout.

The Dextra range is supplied with a five year warranty commencing from the date of delivery. During the first three years

defects will be repaired on site and the warranty will include both parts and labour. For the final two years drivers, emergency modules, wireless modules, sensors and LED circuits will be supplied free of charge to replace defective components, labour and other associated costs are not included.

Certain ranges and components are subject to exemptions:

- Lithium batteries are provided with a three year warranty for parts and labour. Nickel Metal Hydride and Nickel Cadmium batteries are provided with a one year warranty for parts and labour.
- Emergency luminaires including AME LED, EXI LED, EXI2 LED, EXI Track, HBE LED, HBE2 LED, OAT2 LED, OEZ LED and Twinspot with Nickel Metal Hydride batteries are supplied with a one year warranty for parts and labour. Lithium variants of these ranges are supplied with a three year warranty for parts and labour with the exception of the AME2, EXI3, HBE3 and TWS IP65 L7 ranges which are supplied with a one year parts and labour warranty.
- Protec Micro, 7W Fire Rated Downlights and Serenus are provided with a five year replacement luminaire only warranty.
- Controls systems such as standalone sensors, switches, marshalling boxes and cabling are provided with a one year warranty for both parts and labour. DALI control systems are provided with a two year warranty for both parts and labour.
- LEDextra ranges including Glide Power, Glide Mini, Glide RGBW, Colour Glide, Glide In Ground, Glide Pixel and AluLED ranges are supplied with a three year parts or replacement luminaire only warranty.
- LEDEX ranges are supplied with a three year replacement luminaire only warranty.

All warranties are subject to correct use of the product and will be invalidated by misuse, for example incorrect installation, unsuitable environmental conditions or incorrect maintenance. It is the duty of the customer to ensure that all the fault lies with the luminaire prior to requesting replacement parts or site repairs. In the event that no defect is found with the product our costs for attending site will be recharged to the customer and credit will not be issued against returned products. No consequential losses incurred resulting from any defect with our product will be reimbursed.

Given the nature of LED technology a small percentage of LEDs may fail during the lifetime of a luminaire, this does not cause a reduction in lumen output. As such LED luminaires are only deemed to be faulty for warranty purposes when in excess of ten percent of LEDs have failed in a single luminaire

On site repair of products under warranty will be undertaken during normal working hours, 9am to 5pm Monday to Friday, and will require unrestricted access to luminaires. Where required Dextra will provide access equipment to carry out repairs at height, should luminaires have been installed in locations where reasonable provision for maintenance access has not been made we reserve the right to supply replacement product only.

If you require any assistance with regards to our products please contact our Customer Services department on 01747 858100.

[DOWNLOAD WARRANTY PDF](#)

ORDER CODES

LUMINAIRE CODES

Code	Description	Circuit Wattage	Llm/W
EPK L22*	Ecopak LED, 600mm, 1933lm, Colour 84*	15.1W	128
EPK L26	Ecopak LED, 1200mm, 2284lm, Colour 84	16.4W	139

EPK L38	Ecopak LED, 1200mm, 3340lm, Colour 84	23.4W	142
EPK L35	Ecopak LED, 1500mm, 3060lm, Colour 84	21.9W	139
EPK L45	Ecopak LED, 1500mm, 3924lm, Colour 84	26.0W	150
EPK L54	Ecopak LED, 1500mm, 4689lm, Colour 84	31.7W	147
EPK L63	Ecopak LED, 1500mm, 5520lm, Colour 84	37.6W	146
EPK L96	Ecopak LED, 1500mm, 8484lm, Colour 84	53.0W	160
EPK L120	Ecopak LED, 1500mm, 10,560lm, Colour 84	69.7W	151
EPK L45 6FT	Ecopak LED, 1800mm, 3954lm, Colour 84	26.9W	146
EPK L65 6FT	Ecopak LED, 1800mm, 5649lm, Colour 84	38.0W	148
EPK L90 6FT	Ecopak LED, 1800mm, 7821lm, Colour 84	48.5W	161

Luminaire lumens (lm) figures based on OA version.

OPTIC

Code	Description
UHR	Ultra High Rack Optic
HR	High Rack Optic

UHR and HR only available in 1500mm luminaires.

DIMMING OPTIONS

Code	Control
A	Digital Addressable Lighting Interface (DALI)
S	Switch Dimming
WT	White Tunable, Lumen outputs vary, please contact our sales department for details
C	Bi-Level Dimming for use with standalone switched sensor
D	Digital Dimming (DSI)
H	High Frequency Dimming (Analogue 1-10v)
	Please click here for full details on our white tunable offer

EMERGENCY

Code	Description
LE3	Lithium Emergency 3 Hour
LS3	Lithium Selftest
LA3	Lithium Autotest
LSTR	Lithium Emergency Reacta-Link

*Emergency not available in L22 versions.

LIGHTING CONTROLS

Code	Description
RLS	Reacta-Link presence detection sensor
RLI	Dextra Reacta-Link system