



PRODUCT SPECIFICATION

ELISIAN



INTRODUCTION

The Elisian offers an attractive polo ring design adding visual interest to installations whilst also allowing simple inclusion of sensor controls for both presence detection and daylight regulation. With a shallow housing of just 65mm the Elisian is ideal for restricted void spaces whilst the four sprung steel clips allow it to be installed quickly and simply into plasterboard, mineral fibre and metal pan ceiling tiles. The Elisian is available with either an opal diffuser or low glare microprism where compliance to glare requirements is required, as well as offering a range of lumen outputs and colour temperatures. The Elisian can also include integral lithium emergency where required as well as wireless sensor controls where luminaires need to be grouped for simultaneous operation or for central reporting. A wide range of infill rings are available where the Elisian needs to be retrofitted to suit existing ceiling cut outs.

- CE
- IP40
- 3 STEP MACADAM ELLIPSE

APPLICATION

- Canteen
- Commercial/Offices
- Corridor
- Education
- Healthcare/Social Housing

- Hotel/Leisure
- Industrial/Manufacturing
- Office
- Retail
- Toilet
- Transport
- Warehouse/Storage

SPECIFICATION

CONSTRUCTION

- Robust spun aluminium housing
- Powder painted matt white
- High performance Opal or Microprism diffuser
- Infill rings available on request for retrofit applications

PERFORMANCE

- Available in 1400lm, 2000lm, 3000lm, 4000lm and 5000lm LED variants
- CRI 80+
- All sources available in either 3000K or 4000K colour temperatures

CONTROL

- DALI, Digital Addressable Lighting Interface

EMERGENCY

- Available with optional standard, self test and autotest integral emergency with lithium batteries for extended warranty and lifetime.

INSTALLATION

- Four point retractive steel spring mechanism retains fitting in ceiling
- Suitable for 3mm to 24mm ceiling thickness
- 290mm cut out diameter
- Suitable for plasterboard, mineral fibre and metal tile installation*

* may need additional pattress when installing into metal tile

VARIATIONS

- 3000K and 4000K colour temperatures
- 4 pole and 6 pole panel mount sockets for "plug & play" installations

IMAGES

PRODUCT IMAGES



Elisian with microprism diffuser - unlit



Elisian with opal diffuser - unlit



Elisian with opal diffuser - Lit



Elisian with microprism diffuser - Lit



Elisian diffuser comparison

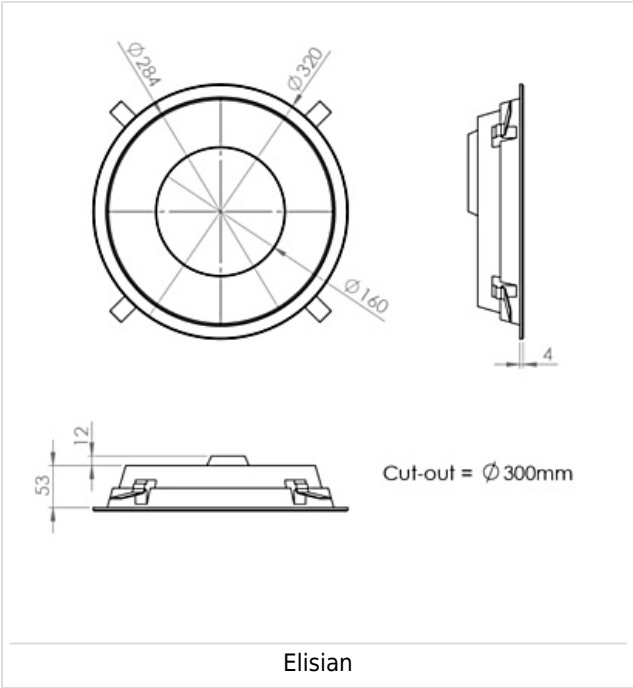


Elisian with integral R24H sensor and emergency

PROJECT IMAGES



TECHNICAL



WARRANTY

At Dextra our commitment to service has been at the forefront throughout our history spanning more than forty years in the UK lighting market. Our service ethos extends beyond design and delivery, we believe supporting your installation throughout the warranty period is equally crucial, whilst the strength and longevity of Dextra Group provides peace of mind that our warranty will be supported throughout.

The Dextra range is supplied with a five year warranty commencing from the date of delivery. During the first three years defects will be repaired on site and the warranty will include both parts and labour. For the final two years drivers, emergency modules, wireless modules, sensors and LED circuits will be supplied free of charge to replace defective components, labour and other associated costs are not included.

Certain ranges and components are subject to exemptions:

- Lithium batteries are provided with a three year warranty for parts and labour. Nickel Metal Hydride and Nickel Cadmium batteries are provided with a one year warranty for parts and labour.
- Emergency luminaires including AME LED, EXI LED, EXI2 LED, EXI Track, HBE LED, HBE2 LED, OAT2 LED, OEZ LED and Twinspot with Nickel Metal Hydride batteries are supplied with a one year warranty for parts and labour. Lithium variants of these ranges are supplied with a three year warranty for parts and labour with the exception of the AME2, EXI3, HBE3 and TWS IP65 L7 ranges which are supplied with a one year parts and labour warranty.
- Protec Micro, 7W Fire Rated Downlights and Serenus are provided with a five year replacement luminaire only warranty.
- Controls systems such as standalone sensors, switches, marshalling boxes and cabling are provided with a one year warranty for both parts and labour. DALI control systems are provided with a two year warranty for both parts and labour.
- LEDextra ranges including Glide Power, Glide Mini, Glide RGBW, Colour Glide, Glide In Ground, Glide Pixel and AluLED ranges are supplied with a three year parts or replacement luminaire only warranty.
- LEDEX ranges are supplied with a three year replacement luminaire only warranty.

All warranties are subject to correct use of the product and will be invalidated by misuse, for example incorrect installation, unsuitable environmental conditions or incorrect maintenance. It is the duty of the customer to ensure that all the fault lies with the luminaire prior to requesting replacement parts or site repairs. In the event that no defect is found with the product our costs for attending site will be recharged to the customer and credit will not be issued against returned products. No consequential losses incurred resulting from any defect with our product will be reimbursed.

Given the nature of LED technology a small percentage of LEDs may fail during the lifetime of a luminaire, this does not cause a reduction in lumen output. As such LED luminaires are only deemed to be faulty for warranty purposes when in excess of ten percent of LEDs have failed in a single luminaire

On site repair of products under warranty will be undertaken during normal working hours, 9am to 5pm Monday to Friday, and will require unrestricted access to luminaires. Where required Dextra will provide access equipment to carry out repairs at height, should luminaires have been installed in locations where reasonable provision for maintenance access has not been made we reserve the right to supply replacement product only.

If you require any assistance with regards to our products please contact our Customer Services department on 01747 858100.

[DOWNLOAD WARRANTY PDF](#)

ORDER CODES

LUMINAIRE CODES

Code	Description	Circuit Wattage	Lm/W
ELN L14	Elisian, 1104lIm, Colour C84	9.6W	115
ELN L20	Elisian, 1597lIm, Colour C84	13.4W	119
ELN L30	Elisian, 2316lIm, Colour C84	19.8W	117
ELN L40	Elisian, 3163lIm, Colour C84	27.1W	116
ELN L50	Elisian, 3956lIm, Colour C84	34.3W	115

LLM figures are based on OP photometry

Infill rings available on request for retrofit applications to ensure suitability for existing ceiling cut outs.

LIGHTING CONTROL

Code	Description
EA	Reacta-Air Infra-Red Sensor
RAS	Reacta-Air Bluetooth Sensor
R24H	Reacta 24H, Minihead Daylight and Presence Detection Sensor
RLI	Dextra Reacta-Link System
RLS	Reacta-Link presence detection sensor
RD	Reacta-Dim

OPTIC

Code	Description
OP	Opal diffuser
MP	Microprism diffuser

EMERGENCY

Code	Description
E3	Basic Emergency
ST3	Selftest
AT3	Autotest
STR	Emergency Reacta-Link
CB	Please specify 50v, 110v or 230v when ordering

DIMMING

Code	Description
A	Digital Addressable Lighting Interface (DALI)
S	Switch Dimming
C	Bi-Level Dimming for use with standalone switched sensor
D	Digital Dimming (DSI)
	Please click here for full details on our white tunable offer
