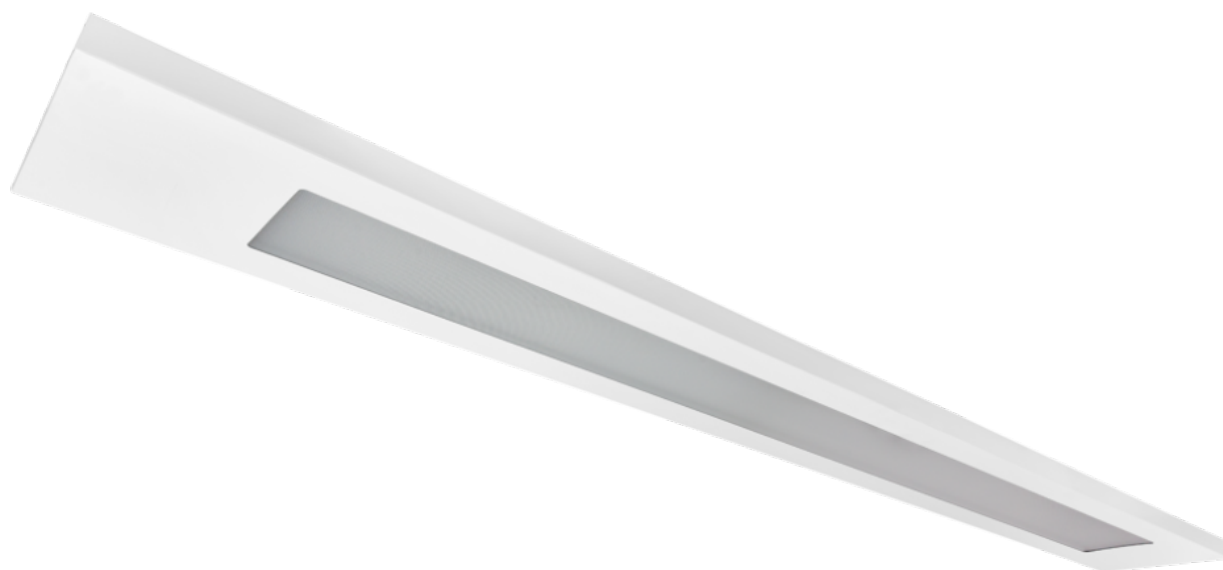




PRODUCT SPECIFICATION

ELEMENT



INTRODUCTION

The Element is suitable for suspended installation in both continuous run and standalone formats with bi directional output, 40% up, 60% down. This versatility is combined with a shallow body profile and glare compliant diffuser providing a sleek appearance and compliance with the glare regulations of BSEN 12464 for use in offices and schools.

The versatility of the Element is further enhanced with a wide range of lumen packages, optional integral sensors, wireless controls and all common dimming and lithium emergency variants. For simplicity of installation the Element Continuous Run is supplied complete with through wire cabling.

- CE
- NEW
- IP20
- L90 / 60K OPERATING HOURS
- 3 STEP MACADAM ELLIPSE

APPLICATION

- Commercial/Offices
- Education
- Office

SPECIFICATION

CONSTRUCTION

- Steel housing powder painted white
- Low glare microprismatic diffuser for glare control and visual comfort

PERFORMANCE

- Compliant with UGR 19 requirements in the majority of room sizes.
- LM80 verified: 90% LED lumen maintenance at 60,000 operating hours.
- Standard Deviation Colour Match - 3 Step Macadam's Ellipse.
- Compliant with BSEN 12464 3000 candela limit.
- L2 compliant.
- Bi-Directional distribution with 40% up / 60% down split

EMERGENCY

- Available with optional standard, self test and autotest integral emergency with lithium batteries for extended warranty and lifetime.

CONTROL

- Available with Digital, DALI and Switch Dimming control gear.
- Available with a range of sensors.
- Wireless control available with Reacta-Air and Reacta-Link variants.

INSTALLATION

- Suitable for suspended installation.
- Supplied complete with through wiring loom and suitable for two point suspension for ease of installation.
- Available with adjustable corner sections allowing continuous to be customised to suit your room layout

VARIANTS

- Standalone and continuous run.
- Bi Directional (60% down, 40% up), or downlight only.
- Available in a range of body sizes and lumen packages.
- Please note Bi-Directional variants use two drivers

IMAGES

PRODUCT IMAGES



Element LED

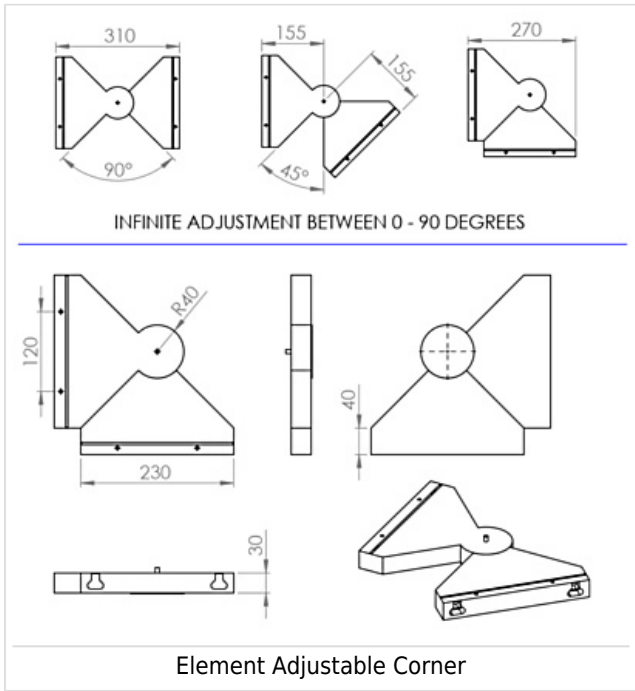
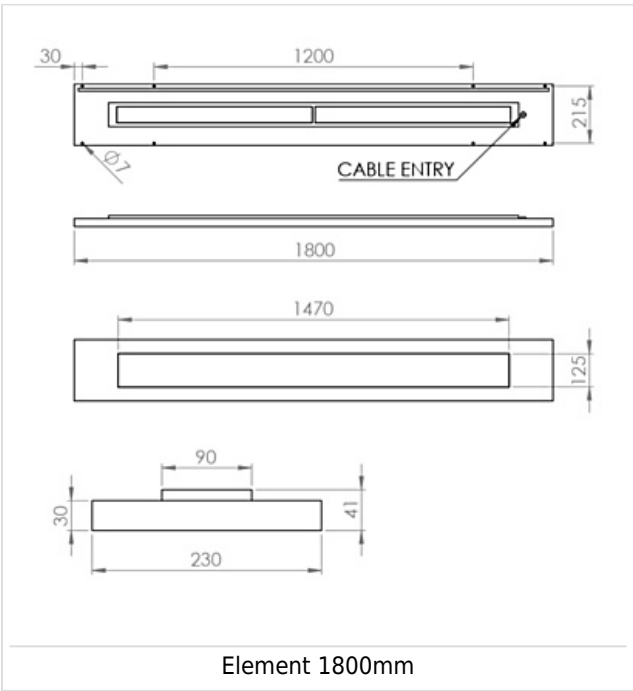
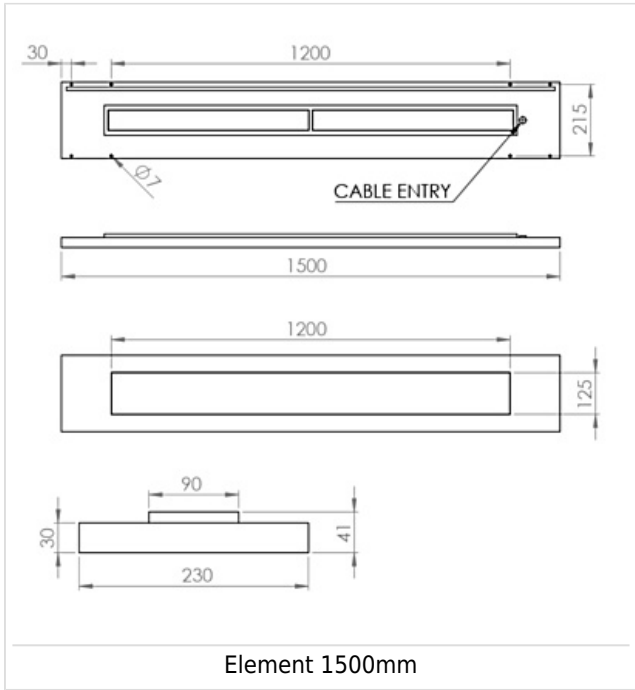
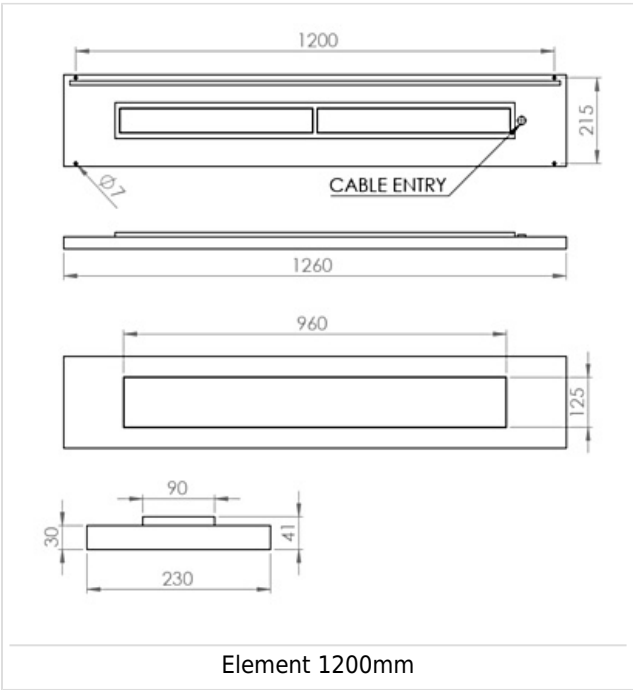


Adjustable corner piece

PROJECT IMAGES



TECHNICAL



WARRANTY

At Dextra our commitment to service has been at the forefront throughout our history spanning more than forty years in the UK lighting market. Our service ethos extends beyond design and delivery, we believe supporting your installation throughout the warranty period is equally crucial, whilst the strength and longevity of Dextra Group provides peace of mind that our warranty will be supported throughout.

The Dextra range is supplied with a five year warranty commencing from the date of delivery. During the first three years

defects will be repaired on site and the warranty will include both parts and labour. For the final two years drivers, emergency modules, wireless modules, sensors and LED circuits will be supplied free of charge to replace defective components, labour and other associated costs are not included.

Certain ranges and components are subject to exemptions:

- Lithium batteries are provided with a three year warranty for parts and labour. Nickel Metal Hydride and Nickel Cadmium batteries are provided with a one year warranty for parts and labour.
- Emergency luminaires including AME LED, EXI LED, EXI2 LED, EXI Track, HBE LED, HBE2 LED, OAT2 LED, OEZ LED and Twinspot with Nickel Metal Hydride batteries are supplied with a one year warranty for parts and labour. Lithium variants of these ranges are supplied with a three year warranty for parts and labour with the exception of the AME2, EXI3, HBE3 and TWS IP65 L7 ranges which are supplied with a one year parts and labour warranty.
- Protec Micro, 7W Fire Rated Downlights and Serenus are provided with a five year replacement luminaire only warranty.
- Controls systems such as standalone sensors, switches, marshalling boxes and cabling are provided with a one year warranty for both parts and labour. DALI control systems are provided with a two year warranty for both parts and labour.
- LEDextra ranges including Glide Power, Glide Mini, Glide RGBW, Colour Glide, Glide In Ground, Glide Pixel and AluLED ranges are supplied with a three year parts or replacement luminaire only warranty.
- LEDEX ranges are supplied with a three year replacement luminaire only warranty.

All warranties are subject to correct use of the product and will be invalidated by misuse, for example incorrect installation, unsuitable environmental conditions or incorrect maintenance. It is the duty of the customer to ensure that all the fault lies with the luminaire prior to requesting replacement parts or site repairs. In the event that no defect is found with the product our costs for attending site will be recharged to the customer and credit will not be issued against returned products. No consequential losses incurred resulting from any defect with our product will be reimbursed.

Given the nature of LED technology a small percentage of LEDs may fail during the lifetime of a luminaire, this does not cause a reduction in lumen output. As such LED luminaires are only deemed to be faulty for warranty purposes when in excess of ten percent of LEDs have failed in a single luminaire

On site repair of products under warranty will be undertaken during normal working hours, 9am to 5pm Monday to Friday, and will require unrestricted access to luminaires. Where required Dextra will provide access equipment to carry out repairs at height, should luminaires have been installed in locations where reasonable provision for maintenance access has not been made we reserve the right to supply replacement product only.

If you require any assistance with regards to our products please contact our Customer Services department on 01747 858100.

[DOWNLOAD WARRANTY PDF](#)

ORDER CODES

LUMINAIRE

Code	Description	Circuit Wattage	Llm/W
	Element Suspended Standalone		
	Downlight		

ELL 12L30	Element, 1260mm, 2,262lm, Microprism, Colour 84	20.3W	111
ELL 15L37	Element, 1500mm, 2,901lm, Microprism, Colour 84	24.7W	118
ELL 18L45	Element, 1800mm, 3,488lm, Microprism, Colour 84	27.5W	126

Bi-Directional

ELLBD 12L40	Element, 1260mm, 3,247lm, Microprism, Bi-Directional, Colour 84	26.3W	123
ELLBD 15L50	Element, 1500mm, 4,162lm, Microprism, Bi-Directional, Colour 84	31.4W	132
ELLBD 18L60	Element, 1800mm, 4,985lm, Microprism, Bi-Directional, Colour 84	36.4W	136

Element Suspended Continuous Run

Downlight

ELL 12L30 ST	Element Start, 1260mm, 2,262lm, Microprism, Colour 84	20.3W	111
ELL 12L30 TW	Element Through, 1260mm, 2,262lm, Microprism, Colour 84	20.3W	111
ELL 12L30 ER	Element End, 1260mm, 2,262lm, Microprism, Colour 84	20.3W	111
ELL 15L37 ST	Element Start, 1500mm, 2,901lm, Microprism, Colour 84	24.7W	118
ELL 15L37 TW	Element Through, 1500mm, 2,901lm, Microprism, Colour 84	24.7W	118
ELL 15L37 ER	Element End, 1500mm, 2,901lm, Microprism, Colour 84	24.7W	118
ELL 18L45 ST	Element Start, 1800mm, 3,488lm, Microprism, Colour 84	27.5W	126
ELL 18L45 TW	Element Through, 1800mm, 3,488lm, Microprism, Colour 84	27.5W	126
ELL 18L45 ER	Element End, 1800mm, 3,488lm, Microprism, Colour 84	27.5W	126

Bi-Directional

ELLBD 12L40 ST	Element Start, 1260mm, 3,247lm, Microprism, Bi-Directional, Colour 84	26.3W	123
ELLBD 12L40 TW	Element Through, 1260mm, 3,247lm, Microprism, Bi-Directional, Colour 84	26.3W	123
ELLBD 12L40 ER	Element End, 1260mm, 3,247lm, Microprism, Bi-Directional, Colour 84	26.3W	123
ELLBD 15L50 ST	Element Start, 1500mm, 4,162lm, Microprism, Bi-Directional, Colour 84	31.4W	132
ELLBD 15L50 TW	Element Through, 1500mm, 4,162lm, Microprism, Bi-Directional, Colour 84	34.1W	132
ELLBD 15L50 ER	Element End, 1500mm, 4,162lm, Microprism, Bi-Directional, Colour 84	34.1W	132
ELLBD 18L60 ST	Element Start, 1800mm, 4,985lm, Microprism, Bi-Directional, Colour 84	36.4W	136
ELLBD 18L60 TW	Element Through, 1800mm, 4,985lm, Microprism, Bi-Directional, Colour 84	36.4W	136
ELLBD 18L60 ER	Element End, 1800mm, 4,985lm, Microprism, Bi-Directional, Colour 84	36.4W	136

Please refer to the Element Design Consideration notes in the Technical section prior to placing your order.

COLOUR

Code	Description
BL	Black Finish
GY	Grey Finish

Please refer to the Element Design Consideration notes in the Technical section prior to placing your order.

DIMMING

Code	Description
A	DALI Digital Addressable Lighting Interface
S	Switch Dimming
D	DSI Digital Dimming
H	HFR Analogue 1-10v
C	Bi-Level Dimming For Standalone Switched Sensor

Please refer to the Element Design Consideration notes in the Technical section prior to placing your order.

CONTROL

Code	Description
R24H	Reacta 24H, Minihead Daylight and Presence Detection Sensor, 2.5-4M
EA	Reacta-Air Infra Red, Wireless, Presence & Daylight, 2.5-4M
RAS	Reacta-Air Bluetooth, Wireless, Presence & Daylight, 2.5-4M
RLI	Reacta-Link, Wireless Enabled Luminaire

RLS	Reacta-Link Wireless, Presence, 2.5-4M
RD	Reacta-Dim, Wireless Dimming / Switching

Please refer to the Element Design Consideration notes in the Technical section prior to placing your order.
Please click [here](#) for full details on our wireless controls.

EMERGENCY

Code	Description
LE3	Lithium Standard Emergency 3 Hour
LS3	Lithium Selftest Emergency 3 Hour
LA3	Lithium Autotest Emergency 3 Hour
LSTR	Lithium Reacta-Link Emergency 3 Hour
CB	Central Battery, Please specify 50v, 110v or 230v when ordering

Please refer to the Element Design Consideration notes in the Technical section prior to placing your order.

MISCELLANEOUS

Code	Description
C**	Select Colour Temperature and Rendering; C83, C84, C85, C865, C93, C94
ELL COR TW	Element Adjustable Through Wire Corner
ELL BLIND 1260 TW	Element Suspended Continuous Run, 1260mm, 6 pole through wire blind unit
ELL BLIND 1500 TW	Element Suspended Continuous Run, 1500mm, 6 pole through wire blind unit
ELL EC	Element End Cap (please specify one set per run of luminaires).
ELL JOINER	Element Joining Kit (Used mid run where new power feeds are required)
P414	3M Suspension Kit