

PRODUCT SPECIFICATION

DUET LED



INTRODUCTION

The Duet LED has been designed to suit the widest possible range of applications; it can be surface mounted, suspended individually or continuously run. The luminaire design ensures balanced central control gear line and cable entry combined allowing two point Y suspension installation, or besa/conduit and trunking mounting. In continuous run applications the Duet LED can also be offered with blind units in a range of lengths allowing the design to be tailored to suit the application. We can also offer a full range of emergency functions, standard, self test and autotest as well as all dimming variants, HFR, Switch Dim, Dali and white tunable.

- CE
- IP20
- L90 / 60K OPERATING HOURS
- 3 STEP MACADAM ELLIPSE

APPLICATION

- Canteen
- Commercial/Offices
- Corridor
- Education
- Healthcare/Social Housing
- Hotel/Leisure

- Industrial/Manufacturing
- Office
- Retail
- Transport
- Warehouse/Storage

SPECIFICATION

CONSTRUCTION

- Steel housing powder painted white.
- TPA Satine blend diffuser injection moulded polycarbonate end caps.
- Injection moulded end caps can house optional sensor or emergency LED.
- Balanced design with central cable entry allows installation on trunking, conduit, 4 point or 2 point Y suspension.

PERFORMANCE

- Available in 1200mm 2595lm or 5190lm luminaire lumen variants or 1500mm 2732lm or 4781lm luminaire lumen variants.
- L40 1500mm variants comply with the glare requirements of BSEN12464.
- LM80 verified: 90% LED lumen maintenance at 60,000 operating hours.
- Standard Deviation Colour Match – 3 Step Macadam's Ellipse.
- L2 compliant*

*Specific variants only

CONTROL

- HFR High Frequency Analogue Dimming.
- SD(E) Switch Dimming.
- DSI(X) Digital Addressable Lighting Interface.
- White Tunable, Lumen outputs vary, please contact our sales department for details.

EMERGENCY

- All variants can be offered with integral 3 hour emergency: standard, self-test or autotest.

INSTALLATION

- Balanced design makes suitable for 4 or 2 point Y suspension.
- Central cable entry makes suitable for trunking or besa installation.
- Can be surface mounted or suspended individually or continuously run.

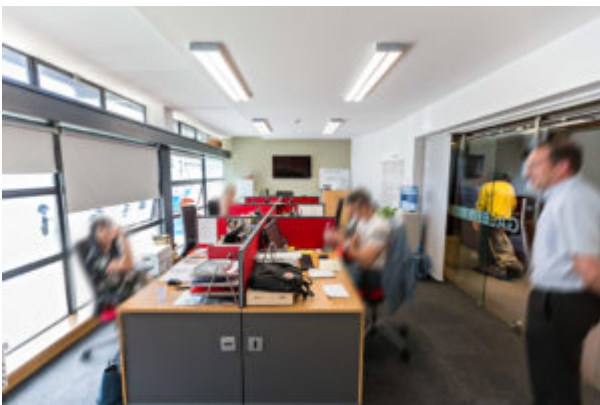
IMAGES

PRODUCT IMAGES

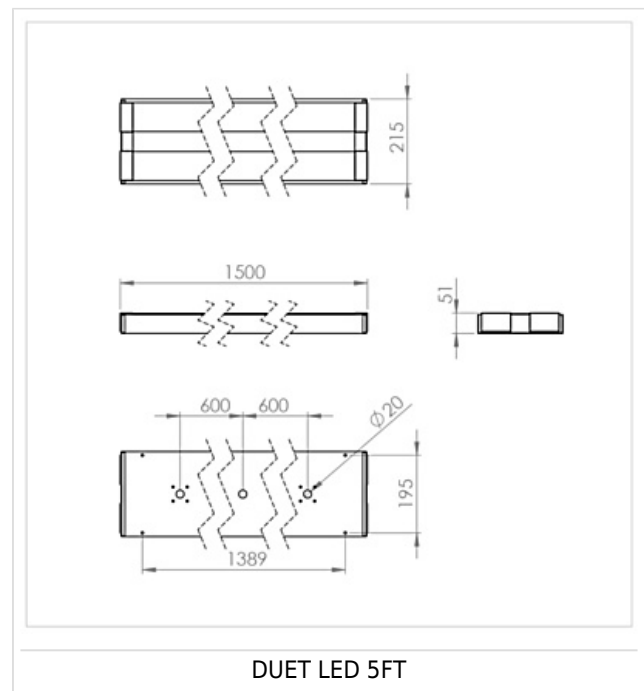
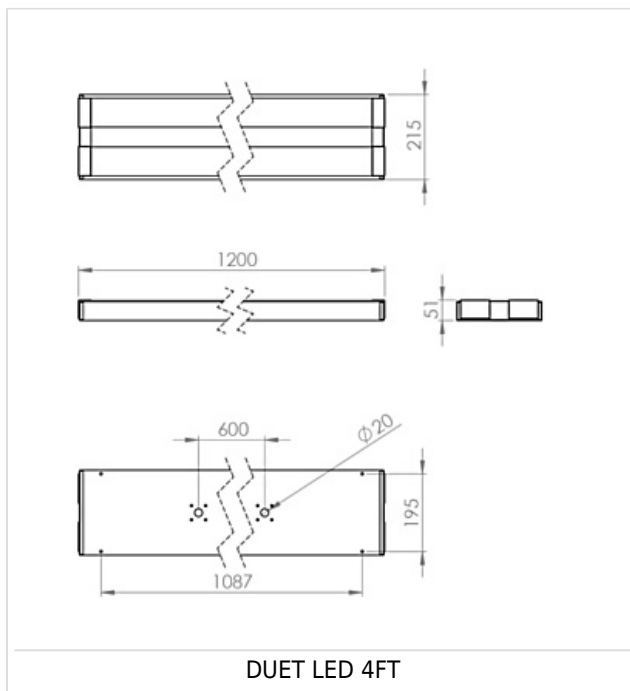


Duet LED

PROJECT IMAGES



TECHNICAL



WARRANTY

At Dextra our commitment to service has been at the forefront throughout our history spanning more than forty years in the UK lighting market. Our service ethos extends beyond design and delivery, we believe supporting your installation throughout the warranty period is equally crucial, whilst the strength and longevity of Dextra Group provides peace of mind that our warranty will be supported throughout.

The Dextra range is supplied with a five year warranty commencing from the date of delivery. During the first three years defects will be repaired on site and the warranty will include both parts and labour. For the final two years drivers, emergency modules, wireless modules, sensors and LED circuits will be supplied free of charge to replace defective components, labour and other associated costs are not included.

Certain ranges and components are subject to exemptions:

- Lithium batteries are provided with a three year warranty for parts and labour. Nickel Metal Hydride and Nickel Cadmium batteries are provided with a one year warranty for parts and labour.
- Emergency luminaires including AME LED, EX1 LED, EX12 LED, EX1 Track, HBE LED, HBE2 LED, OAT2 LED, OEZ LED and Twinspot with Nickel Metal Hydride batteries are supplied with a one year warranty for parts and labour. Lithium variants of these ranges are supplied with a three year warranty for parts and labour with the exception of the AME2, EX13, HBE3 and TWS IP65 L7 ranges which are supplied with a one year parts and labour warranty.
- Protec Micro, 7W Fire Rated Downlights and Serenus are provided with a five year replacement luminaire only warranty.
- Controls systems such as standalone sensors, switches, marshalling boxes and cabling are provided with a one year warranty for both parts and labour. DALI control systems are provided with a two year warranty for both parts and labour.
- LEDextra ranges including Glide Power, Glide Mini, Glide RGBW, Colour Glide, Glide In Ground, Glide Pixel and AluLED ranges are supplied with a three year parts or replacement luminaire only warranty.
- LEDEX ranges are supplied with a three year replacement luminaire only warranty.

All warranties are subject to correct use of the product and will be invalidated by misuse, for example incorrect installation, unsuitable environmental conditions or incorrect maintenance. It is the duty of the customer to ensure that all the fault lies with the luminaire prior to requesting replacement parts or site repairs. In the event that no defect is found with the product our costs for attending site will be recharged to the customer and credit will not be issued against returned products. No consequential losses incurred resulting from any defect with our product will be reimbursed.

Given the nature of LED technology a small percentage of LEDs may fail during the lifetime of a luminaire, this does not cause a reduction in lumen output. As such LED luminaires are only deemed to be faulty for warranty purposes when in excess of ten percent of LEDs have failed in a single luminaire

On site repair of products under warranty will be undertaken during normal working hours, 9am to 5pm Monday to Friday, and will require unrestricted access to luminaires. Where required Dextra will provide access equipment to carry out repairs at height, should luminaires have been installed in locations where reasonable provision for maintenance access has not been made we reserve the right to supply replacement product only.

If you require any assistance with regards to our products please contact our Customer Services department on 01747 858100.

[DOWNLOAD WARRANTY PDF](#)

ORDER CODES

LUMINAIRE CODES

Code	Description	Circuit Wattage	Llm/W
Standard			
DUE L38 TPA	Duet LED, 1200mm, 2188llm, TPA diffuser, Colour 84	22.6W	96
DUE L40 TPA	Duet LED, 1500mm, 2346llm, TPA diffuser, Colour 84*	23.3W	100
DUE L52 TPA	Duet LED, 1200mm, 3036llm, TPA diffuser, Colour 84	28.7W	105
DUE L70 TPA	Duet LED, 1500mm, 4146llm, TPA diffuser, Colour 84	38.3W	108
DUE L76 TPA	Duet LED, 1200mm, 4360llm, TPA diffuser, Colour 84	41.4W	105
Continuous Run			
DUE L38 TPA CR	Duet LED, 1200mm, 2188llm, TPA diffuser, Continuous Run, Colour 84	22.6W	96
DUE L40 TPA CR	Duet LED, 1500mm, 2346llm, TPA diffuser, Continuous Run, Colour 84*	23.3W	100
DUE L52 TPA CR	Duet LED, 1200mm, 3036llm, TPA diffuser, Continuous Run, Colour 84	28.7W	105
DUE L70 TPA CR	Duet LED, 1500mm, 4146llm, TPA diffuser, Continuous Run, Colour 84	38.3W	108
DUE L76 TPA CR	Duet LED, 1200mm, 4360llm, TPA diffuser, Continuous Run, Colour 84	41.4W	105
Start/End Run			
DUE L38 TPA ST/ER	Duet LED, 1200mm, 2188llm, TPA diffuser, Start/End Run, Colour 84	22.6W	96
DUE L40 TPA ST/ER	Duet LED, 1500mm, 2346llm, TPA diffuser, Start/End Run, Colour 84*	23.3W	100
DUE L52 TPA ST/ER	Duet LED, 1200mm, 3036llm, TPA diffuser, Start/End Run, Colour 84	28.7W	105
DUE L70 TPA ST/ER	Duet LED, 1500mm, 4146llm, TPA diffuser, Start/End Run, Colour 84	38.3W	108
DUE L76 TPA ST/ER	Duet LED, 1200mm, 4360llm, TPA diffuser, Start/End Run, Colour 84	41.4W	105

ST = Start of run. ER - End of run.

*Compliant with BSEN 12464 3000 candela limit.

C83 options available on request.

Dummy Unit (Sensors available for dummy units)

DUE 1200 BLIND CR	Duet 1200mm Blind Unit
DUE 1500 BLIND CR	Duet 1500mm Blind Unit

DIMMING OPTIONS

Code	Description
A	Digital Addressable Lighting Interface (DALI)
S	Switch Dimming
WT	White Tunable, Lumen outputs vary, please contact our sales department for details
C	Bi-Level Dimming for use with standalone switched sensor
D	Digital Dimming (DSI)
H	High Frequency Dimming (Analogue 1-10v)
	Please click here for full details on our white tunable offer

LIGHTING CONTROL

Code	Description
R24H	Reacta 24H, Minihead Daylight and Presence Detection Sensor

EMERGENCY

Code	Description
LE3	Lithium Emergency 3 Hour
LS3	Lithium Selftest
LA3	Lithium Autotest
CB	Please specify 50v, 110v or 230v when ordering

MISCELLANEOUS

WH	White end caps
P413 ELITE	Two point split suspension kit
P410 ELITE	Four point suspension kit
C34998 & C3793	1M 6 Pole Blue / Black Lead and Besa Connection Plate
C34997 & C3792	1M 4 Pole Lead and Besa Connection Plate
C34996 & C3791	1M 3 Pole Lead and Besa Connection Plate