



PRODUCT SPECIFICATION

DUAL



INTRODUCTION

The Dual luminaire has been developed to provide high quality efficient performance for a range of applications. With options including 600×600 and 1200×600 in a range of lumen outputs, all common dimming variants, white tunable and a range of emergency options the Dual can be tailored to a range of applications such as receptions, corridors and meeting rooms. The Dual boasts a slim line, lightweight construction ensuring it can be quickly and easily installed into exposed T ceiling systems whilst also being available with both rounded and rectangular optics.

- CE
- IP20
- L90 / 60K OPERATING HOURS
- 3 STEP MACADAM ELLIPSE
- TP(a)

APPLICATION

- Canteen
- Commercial/Offices
- Corridor
- Education
- Healthcare/Social Housing
- Hotel/Leisure
- Industrial/Manufacturing
- Retail
- Transport
- Warehouse/Storage

SPECIFICATION

CONSTRUCTION

- Steel housing powder painted white.
- Twin high transmission opal diffusers.

PERFORMANCE

- 600×600 variant provides 2776lm luminaire lumen output.
- 1200×600 option provides 5552lm luminaire lumen output.
- LM80 verified: 90% LED lumen maintenance at 60,000 operating hours.
- Standard Deviation Colour Match – 3 Step Macadam’s Ellipse.
- Highly efficient source and optical design gives luminaire efficiency of 118 luminaire lumens per circuit watt.

CONTROL

- Available with all common dimming variants and integral sensor providing both presence detection and daylight regulation.
- White Tunable, Lumen outputs vary, please contact our sales department for details

EMERGENCY

- Available in standard, self test and autotest emergency.

INSTALLATION

- Suitable for lay in installation in exposed T ceiling systems.

IMAGES

PRODUCT IMAGES

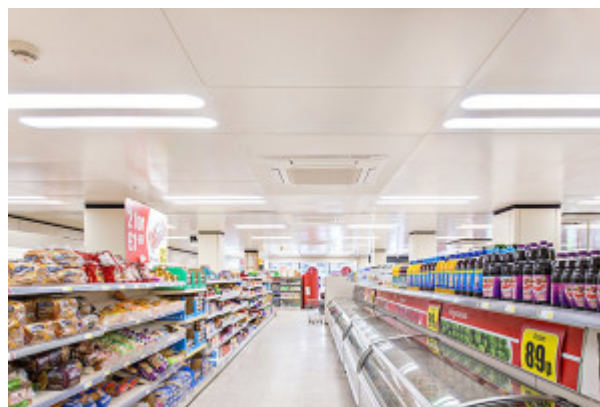
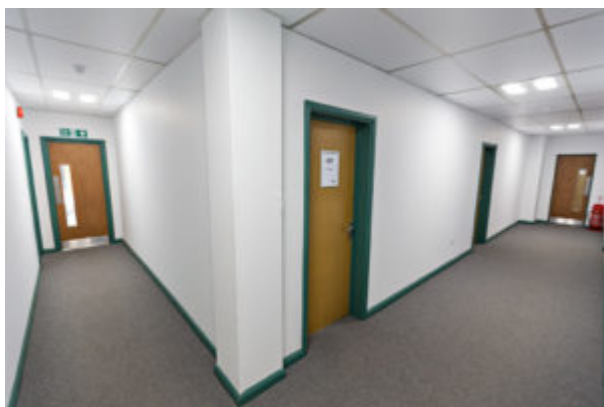


Dual - 600x600

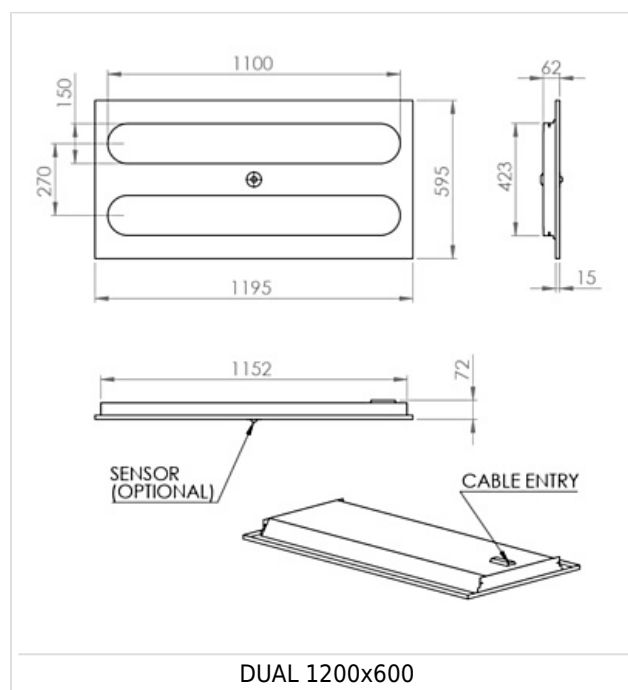
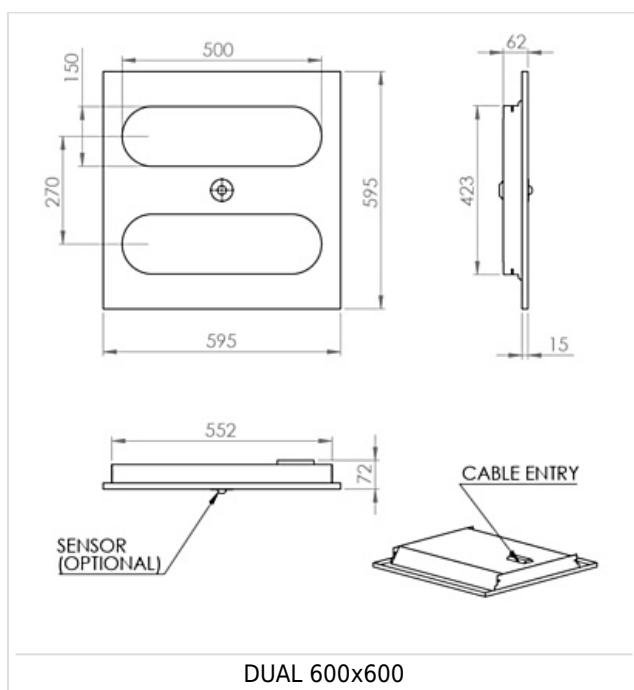


Dual - 1200x600

PROJECT IMAGES



TECHNICAL



WARRANTY

At Dextra our commitment to service has been at the forefront throughout our history spanning more than forty years in the UK lighting market. Our service ethos extends beyond design and delivery, we believe supporting your installation throughout the warranty period is equally crucial, whilst the strength and longevity of Dextra Group provides peace of mind that our warranty will be supported throughout.

The Dextra range is supplied with a five year warranty commencing from the date of delivery. During the first three years defects will be repaired on site and the warranty will include both parts and labour. For the final two years drivers, emergency modules, wireless modules, sensors and LED circuits will be supplied free of charge to replace defective components, labour and other associated costs are not included.

Certain ranges and components are subject to exemptions:

- Lithium batteries are provided with a three year warranty for parts and labour. Nickel Metal Hydride and Nickel Cadmium batteries are provided with a one year warranty for parts and labour.
- Emergency luminaires including AME LED, EXI LED, EXI2 LED, EXI Track, HBE LED, HBE2 LED, OAT2 LED, OEZ LED and Twinspot with Nickel Metal Hydride batteries are supplied with a one year warranty for parts and labour. Lithium variants of these ranges are supplied with a three year warranty for parts and labour.
- Protec Micro, Fire Rated Downlights and Serenus are provided with a five year replacement luminaire only warranty.
- Controls systems such as standalone sensors, switches, marshalling boxes and cabling are provided with a one year warranty for both parts and labour. DALI control systems are provided with a two year warranty for both parts and labour.
- LEDextra ranges including Glide Power, Glide Mini, Glide RGBW, Colour Glide, Glide In Ground, Glide Pixel and AluLED ranges are supplied with a three year parts or replacement luminaire only warranty.

- LEDEX ranges are supplied with a three year replacement luminaire only warranty.

All warranties are subject to correct use of the product and will be invalidated by misuse, for example incorrect installation, unsuitable environmental conditions or incorrect maintenance. It is the duty of the customer to ensure that all the fault lies with the luminaire prior to requesting replacement parts or site repairs. In the event that no defect is found with the product our costs for attending site will be recharged to the customer and credit will not be issued against returned products. No consequential losses incurred resulting from any defect with our product will be reimbursed.

Given the nature of LED technology a small percentage of LEDs may fail during the lifetime of a luminaire, this does not cause a reduction in lumen output. As such LED luminaires are only deemed to be faulty for warranty purposes when in excess of ten percent of LEDs have failed in a single luminaire

On site repair of products under warranty will be undertaken during normal working hours, 9am to 5pm Monday to Friday, and will require unrestricted access to luminaires. Where required Dextra will provide access equipment to carry out repairs at height, should luminaires have been installed in locations where reasonable provision for maintenance access has not been made we reserve the right to supply replacement product only.

If you require any assistance with regards to our products please contact our Customer Services department on 01747 858100.

[DOWNLOAD WARRANTY PDF](#)

ORDER CODES

LUMINAIRE CODES

Code	Description	Circuit Wattage	Llm/W
DALR L26	Dual, Lay-In, 600x600mm, 1976llm, Colour 84	16.7W	118
DALR L40	Dual, Lay-In, 600x600mm, 3040llm, Colour 84	25.9W	117
DALR 126 L80	Dual, Lay-In, 1200x600mm, 6080llm, Colour 84	44.6W	136

Plasterboard kits available on request for installation into plasterboard ceilings.

DIMMING OPTIONS

Code	Control
A	Digital Addressable Lighting Interface (DALI)
S	Switch Dimming
WT	White Tunable, Lumen outputs vary, please contact our sales department for details
C	Bi-Level Dimming for use with standalone switched sensor
D	Digital Dimming (DSI)
H	High Frequency Dimming (Analogue 1-10v)
	Please click here for full details on our white tunable offer

EMERGENCY

Code	Description
E3	3 Hour Integral Emergency
ST3	Self Test
AT3	Autotest Emergency
STR	Emergency Reacta-Link
CB	Please specify 50v, 110v or 230v when ordering

LIGHTING CONTROL

Code	Description
R44SH	Reacta 44 Shallow, DSI
EA	Reacta-Air Wireless linking sensor, daylight regulation and presence detection.
RLI	Dextra Reacta-Link system
RLS	Reacta-Link presence detection sensor

Please click [here](#) for full details on our wireless controls.

MISCELLANEOUS

Code	Description
SQ	Rectangular Optic
C34998 & C3793	1M 6 Pole Blue / Black Lead and Besa Connection Plate
C34997 & C3792	1M 4 Pole Lead and Besa Connection Plate
C34996 & C3791	1M 3 Pole Lead and Besa Connection Plate