

PRODUCT SPECIFICATION

DEXPAX LED



INTRODUCTION

The Dexpax LED is a high efficiency batten luminaire suitable for a range of applications such as industrial, warehousing, circulation, service and back of house areas. With a slim line profile and advanced optic design available in three different optical distributions, the Dexpax LED offers excellent efficiency in both 3222 and 4143 luminaire lumen outputs in 1500mm lengths as well as a wide range of other sizes and lumen outputs. This flexibility of options ensures that the Dexpax LED can be specified to suit a wide range of applications ensuring compliant lighting with minimal energy consumption. As with most products in our range, the Dexpax LED can also be ordered complete with integral emergency options in either standard, self test or auto test variants and all common dimming variants.

Simplicity and speed of installation were essential considerations in the design of the Dexpax LED to ensure that these can be installed at minimum cost and therefore maximise return on investment, Once the rear spine is mounted and the electrical terminations made, the one piece front face of the luminaire snaps into position using barbed polycarbonate clips with plug and socket connector for quick and simple connection. The Dexpax LED is suitable for trunking, conduit mounting and surface mounting ensuring compatibility with most installations.

- CE
- IP20
- L90 / 60K OPERATING HOURS
- 3 STEP MACADAM ELLIPSE

APPLICATION

- Commercial/Offices
- Corridor
- Healthcare/Social Housing
- Hotel/Leisure
- Industrial/Manufacturing
- Retail
- Stairwell
- Store Room
- Transport
- Warehouse/Storage

SPECIFICATION

CONSTRUCTION

- Two part steel housing powder painted white
- Polycarbonate front cover retention clips
- Polycarbonate end caps
- Lens optic available in open area, high rack and ultra high rack distributions

PERFORMANCE

- Available in 3122 lumen and 4143 luminaire outputs in 1500mm sizes as well as a range of other sizes.
- LM80 verified: 90% LED lumen maintenance for 60,000 operating hours
- Standard Deviation Colour Match – 3 Step Macadam's Ellipse
- L2 compliant

CONTROL

- Available in all dimming variants

EMERGENCY

- Available with standard, self test and auto test emergency options

INSTALLATION

- Suitable for surface mount, trunking and conduit installation
- Two part assembly allows for quick installation of spine before tethered front cover is snapped into position with quick fit clips and plug and socket electrical connection

VARIATIONS

- Available in four lengths, 500mm, 1000mm, 1500mm and 2000mm.

IMAGES

PRODUCT IMAGES

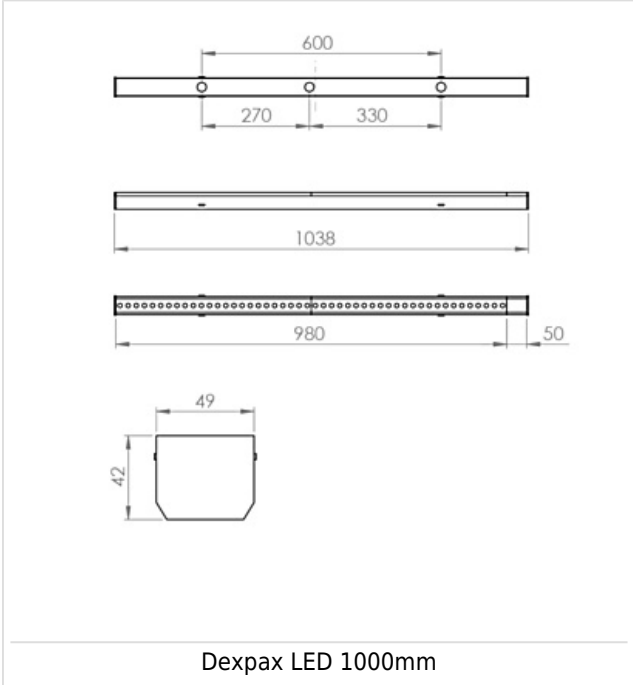
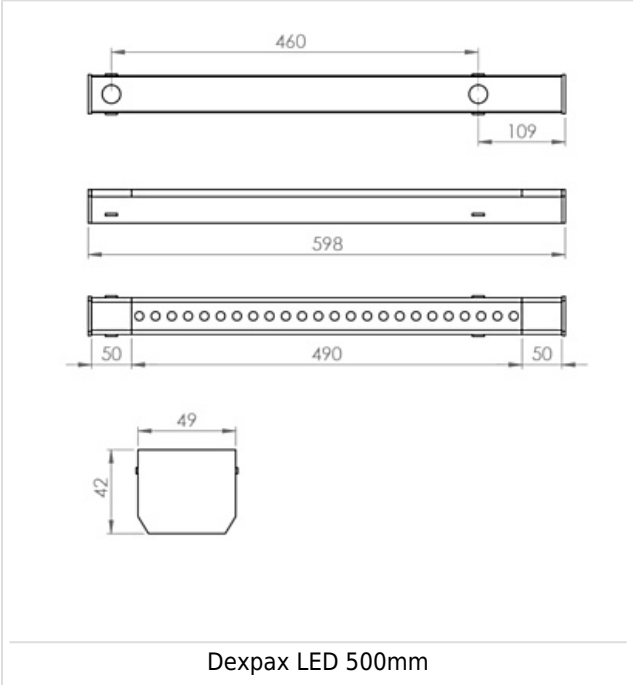


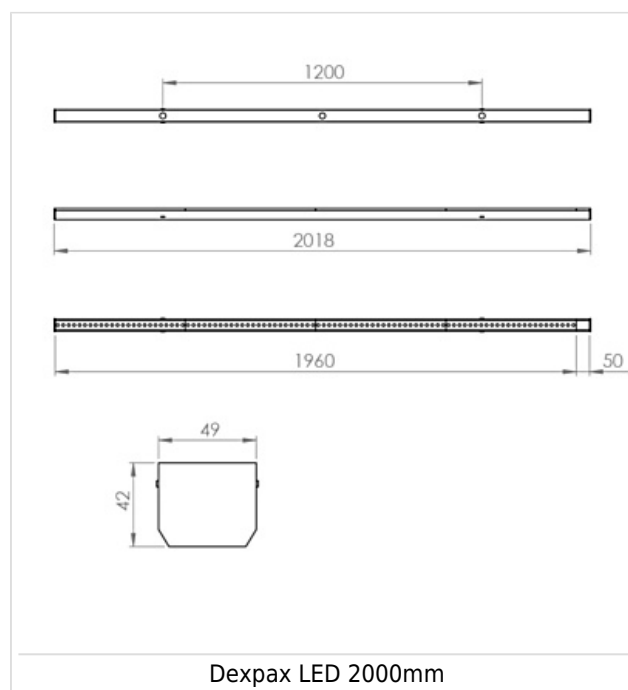
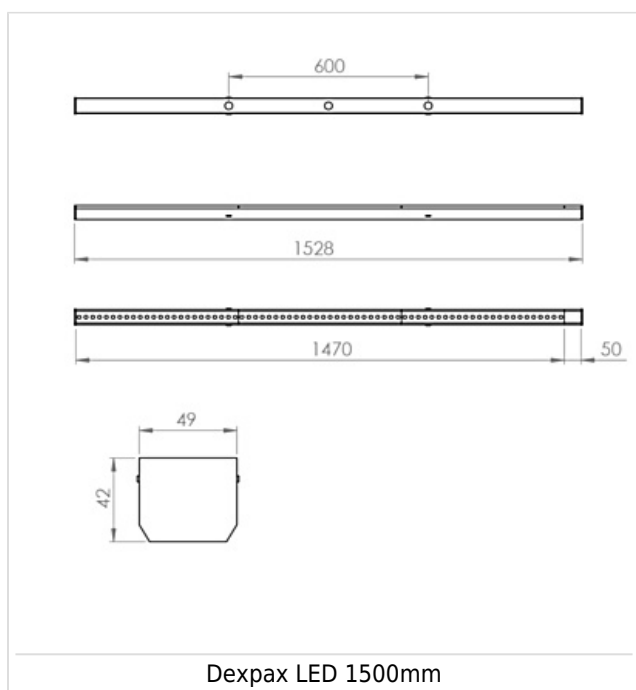
Dexpax LED HR



Dexpax LED OA

TECHNICAL





WARRANTY

5 year warranty on LED product ranges is subject to a maximum of 4000 operating hours per year and only applies where failures exceed the component manufacturers expected failure rate and lumen depreciation.

extra products are supplied with a 12 month warranty for any defect that may occur with the product during this time. Any defect will either be repaired on site free of charge or the defective product may be replaced on a chargeable basis and credit given against defective product returned. The course of action taken will be at our discretion and dependent on the nature of the defect.

The control gear within our high frequency and LED luminaires is further underwritten by our suppliers for a period of up to 5 years in total from the time of purchase. This comprises labour and parts for the first 3 years and free of charge components only for the final 2 years.

PROTEC LED FR 8W GU10 luminaires and all Emergency LED ranges such as LED 3, EXI, HBE, OAT, OEZ, AME, OEH and TWS * are exempt from the 5 year warranty and are supplied with 1 year warranty only. PROTEC LED COB luminaires are supplied with a three year warranty for replacement luminaires only.

Glide Power, Glide Mini, Glide RGBW, Colour Glide and Glide In Ground ranges are supplied with a three year parts or replacement luminaire only warranty.

All warranties are subject to correct use of the product and will be invalidated by misuse, for example incorrect installation or unsuitable environmental conditions.

It is the duty of the customer to ensure that all relevant tests have been carried out prior to requesting site visits or replacement products, for example replacement of lamps, commissioning of sensors and inspection of external wiring. In the event that no defect is found with the product our costs for attending site will be recharged to the customer and credit will not be issued against returned products.

No consequential losses incurred resulting from any defect with our product will be reimbursed.

Consumable commodities such as lamps, starters and batteries are excluded from these warranty terms. Batteries are supplied with a twelve month warranty only.

5 year warranty on LED product ranges is subject to a maximum of 4000 operating hours per year and only applies where failures exceed the component manufacturers expected failure rate and lumen depreciation.

If you require any assistance with regards to our products please do not hesitate to contact our Customer Services department on 01747 858100.

*The LED4 Emergency LED range is supplied with a three year battery warranty and 5 year luminaire warranty.

ORDER CODES

LUMINAIRES CODES

| Code | Description | Circuit Wattage | Llm/W |
|----------------|---|-----------------|-------|
| DPL L12 OA C84 | Dexpax LED 500mm, 1021lm, Open Area, Colour 84 | 9.9W | 103 |
| DPL L15 OA C84 | Dexpax LED 500mm, 1302lm, Open Area, Colour 84 | 12.0W | 108 |
| DPL L12 HR C84 | Dexpax LED 500mm, 1115lm, High Rack, Colour 84 | 9.9W | 112 |
| DPL L15 HR C84 | Dexpax LED 500mm, 1396lm, High Rack, Colour 84 | 12.0W | 116 |
| DPL L24 OA C84 | Dexpax LED 1000mm, 2132lm, Open Area, Colour 84 | 17.5W | 121 |
| DPL L30 OA C84 | Dexpax LED 1000mm, 2691lm, Open Area, Colour 84 | 22.0W | 122 |
| DPL L24 HR C84 | Dexpax LED 1000mm, 2294lm, High Rack, Colour 84 | 17.5W | 131 |
| DPL L30 HR C84 | Dexpax LED 1000mm, 2865lm, High Rack, Colour 84 | 22.0W | 130 |
| DPL L35 OA C84 | Dexpax LED 1500mm, 2930lm, Open Area, Colour 84 | 21.5W | 136 |
| DPL L45 OA C84 | Dexpax LED 1500mm, 3792lm, Open Area, Colour 84 | 31.9W | 119 |
| DPL L35 HR C84 | Dexpax LED 1500mm, 3210lm, High Rack, Colour 84 | 21.5W | 149 |
| DPL L45 HR C84 | Dexpax LED 1500mm, 4143lm, High Rack, Colour 84 | 31.9W | 130 |
| DPL L46 OA C84 | Dexpax LED 2000mm, 3876lm, Open Area, Colour 84 | 29.3W | 132 |
| DPL L60 OA C84 | Dexpax LED 2000mm, 5056lm, Open Area, Colour 84 | 39.4W | 128 |
| DPL L46 HR C84 | Dexpax LED 2000mm, 4236lm, High Rack, Colour 84 | 29.3W | 144 |
| DPL L60 HR C84 | Dexpax LED 2000mm, 5524lm, High Rack, Colour 84 | 39.4W | 140 |

DIMMING OPTIONS

| Code | Description |
|------|--|
| A | Digital Addressable Lighting Interface (DALI) |
| S | Switch Dimming |
| C | Bi Level Dimming for use with standalone switched sensor |
| D | Digital Dimming |
| H | High Frequency Dimming |

EMERGENCY

| Code | Description |
|------|-----------------------------|
| E3 | 3 Hour Maintained Emergency |
| ST3 | Self Test Emergency |
| AT3 | Auto Test Emergency |
| STR | Emergency Reacta-Link |

*Emergency versions are only available in 1500mm & 2000mm variants

MISCELLANEOUS

| Code | Description |
|----------|----------------------------------|
| DPL BESA | Dexpax LED Besa Box Mounting Kit |
| DPL SUSP | Dexpax LED 3M suspension Kit |