



PRODUCT SPECIFICATION

DEXLED SURFACE



INTRODUCTION

The DEXLED Surface LED luminaire combines a traditional louvre design with the latest high transmission optic materials allowing us to offer a highly flexible product that can be manufactured in a wide range of body sizes.

The louvre can be produced in two, three or four cell louvre variants, using the latest branded LEDs. As a result we can offer 600×600, 1200×600 and 1200×300 variants with a wide range of lumen outputs all of which offer excellent energy efficiency. This flexibility also allows us to produce bespoke luminaire sizes when requested to suit your exact requirements. This highly flexible product also offers all the benefits of the latest Philips LEDs and 5 year warranty (terms and conditions apply, please see our warranty page for full details).

An excellent choice for LED office lighting, the DEXLED Surface is suited to a wide range of commercial applications such as corridors, receptions, meeting rooms and amenity areas as well as retail applications where the long life of the LED source minimises the need for costly shut down of areas for maintenance. Now available with white tunable.

- CE
- IP20
- L90 / 60K OPERATING HOURS
- 3 STEP MACADAM ELLIPSE

APPLICATION

- Canteen

- Commercial/Offices
- Corridor
- Education
- Healthcare/Social Housing
- Hotel/Leisure
- Industrial/Manufacturing
- Retail
- Transport
- Warehouse/Storage

SPECIFICATION

CONSTRUCTION

- Steel housing powder painted white.
- Semi specular louvre with white cross blades and high transmission Fusion Optix diffuser retained within louvre cell.
- Shootbolt louvre requires tooled access.

PERFORMANCE

- Available in either two, three or four louvre cell configurations.
- 600×600, 1200×600 and 1200×300 luminaire sizes available.
- LM80 verified: 90% LED lumen maintenance at 60,000 operating hours.
- Standard Deviation Colour Match – 3 Step Macadam’s Ellipse.

CONTROL

- White Tunable, Lumen outputs vary, please contact our sales department for details.

EMERGENCY

- Available with integral three hour emergency function.

INSTALLATION

- Surface mount is suitable for installation where the ceiling does not allow for recessed installations..

VARIATIONS

- 600×600, 1200×600 and 1200×300 standard luminaire sizes, customised variants available on request.

IMAGES

PRODUCT IMAGES



DEXLED Surface 2 panel

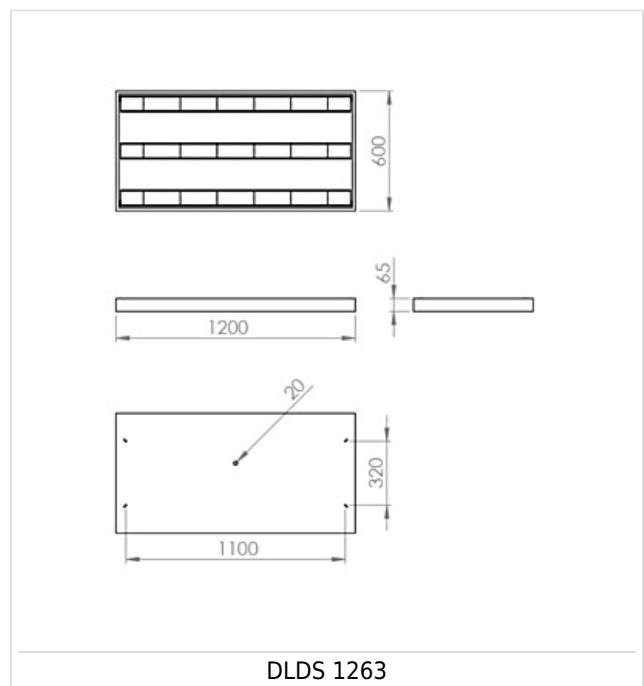
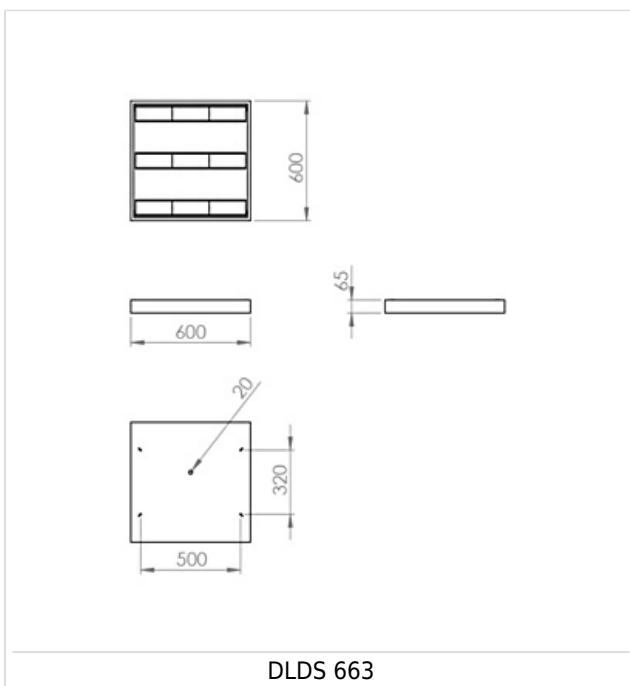


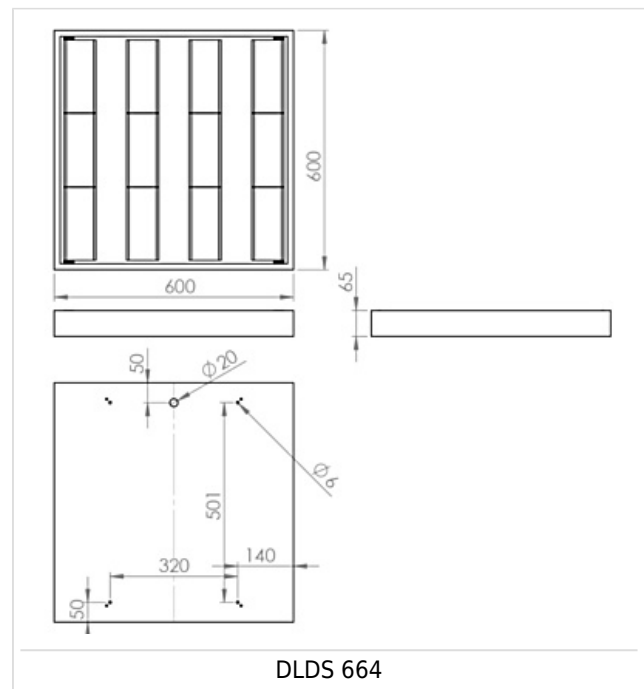
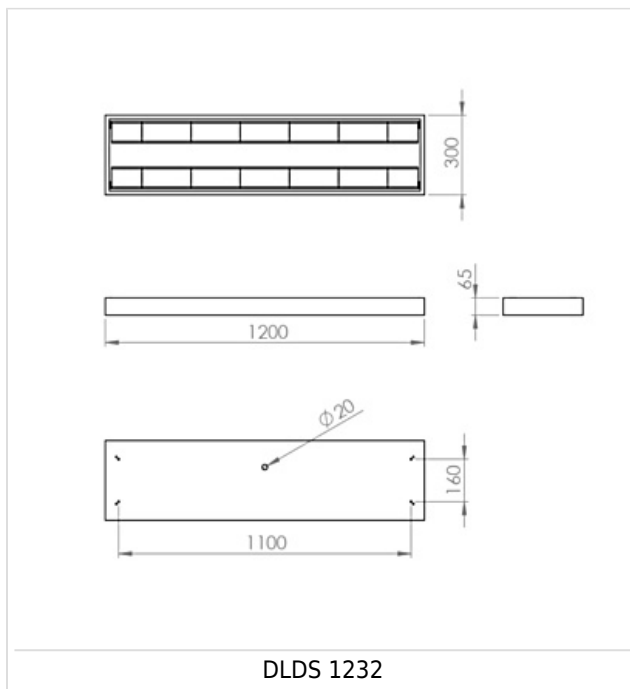
DEXLED Surface 3 panel



DEXLED Surface

TECHNICAL





WARRANTY

At Dextra our commitment to service has been at the forefront throughout our history spanning more than forty years in the UK lighting market. Our service ethos extends beyond design and delivery, we believe supporting your installation throughout the warranty period is equally crucial, whilst the strength and longevity of Dextra Group provides peace of mind that our warranty will be supported throughout.

The Dextra range is supplied with a five year warranty commencing from the date of delivery. During the first three years defects will be repaired on site and the warranty will include both parts and labour. For the final two years drivers, emergency modules, wireless modules, sensors and LED circuits will be supplied free of charge to replace defective components, labour and other associated costs are not included.

Certain ranges and components are subject to exemptions:

- Lithium batteries are provided with a three year warranty for parts and labour. Nickel Metal Hydride and Nickel Cadmium batteries are provided with a one year warranty for parts and labour.
- Emergency luminaires including AME LED, EXI LED, EXI2 LED, EXI Track, HBE LED, HBE2 LED, OAT2 LED, OEZ LED and Twinspot with Nickel Metal Hydride batteries are supplied with a one year warranty for parts and labour. Lithium variants of these ranges are supplied with a three year warranty for parts and labour.
- Protec Micro, Fire Rated Downlights and Serenus are provided with a five year replacement luminaire only warranty.
- Controls systems such as standalone sensors, switches, marshalling boxes and cabling are provided with a one year warranty for both parts and labour. DALI control systems are provided with a two year warranty for both parts and labour.
- LEDextra ranges including Glide Power, Glide Mini, Glide RGBW, Colour Glide, Glide In Ground, Glide Pixel and AluLED ranges are supplied with a three year parts or replacement luminaire only warranty.

- LEDEX ranges are supplied with a three year replacement luminaire only warranty.

All warranties are subject to correct use of the product and will be invalidated by misuse, for example incorrect installation, unsuitable environmental conditions or incorrect maintenance. It is the duty of the customer to ensure that all the fault lies with the luminaire prior to requesting replacement parts or site repairs. In the event that no defect is found with the product our costs for attending site will be recharged to the customer and credit will not be issued against returned products. No consequential losses incurred resulting from any defect with our product will be reimbursed.

Given the nature of LED technology a small percentage of LEDs may fail during the lifetime of a luminaire, this does not cause a reduction in lumen output. As such LED luminaires are only deemed to be faulty for warranty purposes when in excess of ten percent of LEDs have failed in a single luminaire

On site repair of products under warranty will be undertaken during normal working hours, 9am to 5pm Monday to Friday, and will require unrestricted access to luminaires. Where required Dextra will provide access equipment to carry out repairs at height, should luminaires have been installed in locations where reasonable provision for maintenance access has not been made we reserve the right to supply replacement product only.

If you require any assistance with regards to our products please contact our Customer Services department on 01747 858100.

[DOWNLOAD WARRANTY PDF](#)

ORDER CODES

LUMINAIRE CODES

Code	Description	Circuit Wattage	Llm/W
DLDS662 L38	DexLed Surface, 600x600mm, 2 Cell, 2964llm, Colour 84	23.4W	126
DLDS663 L48	DexLed Surface, 600x600mm, 3 Cell, 3744llm, Colour 84	29.1W	128
DLDS664 L76	DexLed Surface, 600x600mm, 4 Cell, 5928llm, Colour 84	41.4W	143
DLDS1262 L76	DexLed Surface, 1200x600mm, 2 Cell, 5928llm, Colour 84	41.4W	143
DLDS1263 L96	DexLed Surface, 1200x600mm, 3 Cell, 7488llm, Colour 84	51.8W	144
DLDS1264 L152	DexLed Surface, 1200x600mm, 4 Cell, 11,856llm, Colour 84	86.1W	137
DLDS1232 L76	DexLed Surface, 1200x300mm, 2 Cell, , 5928llm, Colour 84	41.4W	143

C83 options available on request

DIMMING OPTIONS

Code	Description
A	Digital Addressable Lighting Interface (DALI)
S	Switch Dimming
WT	White Tunable, Lumen outputs vary, please contact our sales department for details
C	Bi-Level Dimming for use with standalone switched sensor
D	Digital Dimming (DSI)
H	High Frequency Dimming (Analogue 1-10v)
	Please click here for full details on our white tunable offer

Dimming variants minimum dim level of 15%

LIGHTING CONTROL

Code	Description
------	-------------

R24H	Reacta 24H, Minihead Daylight and Presence Detection Sensor
EA	Reacta-Air Infra-Red Sensor
RAS	Reacta-Air Bluetooth Sensor

*Please contact our Sales Department for advice on compatible connecting tables.

EMERGENCY

Code	Description
LE3	Lithium Emergency 3 Hour
LS3	Lithium Selftest
LA3	Lithium Autotest*
CB	Please specify 50v, 110v or 230v when ordering