



PRODUCT SPECIFICATION

COULIS MINI



INTRODUCTION

The Coulis has been designed to offer a simple yet effective solution for lighting displays, manufactured from die cast aluminium the tubular design of the head with pin stripe detailing and deep-set black reflector bezel combines classical design with contemporary elements. The mounting arm comes with an annotated dial allowing you to rotate the fitting head to the exact angle required ensuring that they can be positioned precisely and consistently with minimal effort along the length of the track. In addition the slim line flush mounted gear can come with a clear plastic cover on the rear enabling quick identification of the driver for ease of future maintenance. The Coulis is in two body sizes, with three beam angles and multiple lumen outputs and black or white housings.

- CE
- IP20

APPLICATION

- Accent Lighting
- Display Lighting
- Retail

SPECIFICATION

CONSTRUCTION

- Robust die cast aluminium housing.
- High performance aluminium faceted reflector.
- All luminaires supplied with three circuit track adaptor.

PERFORMANCE

- Available in 1400lm, 2000lm and 3000lm LED variants.
- CRI 80+
- All sources available in either 3000K or 4000K colour temperatures.

CONTROL

- A - Digital Addressable Lighting Interface (DALI)

INSTALLATION

- All luminaires supplied with three circuit track adaptor for simple installation and location changes.
- All track adaptors come with a rotary dial for individual control and circuit selection.
- Unique dial allows fitting head to be rotated to the exact angle required.
- 16 AMP three circuit track system available with 90 degree corner joints, tee pieces, straight couplers and cross couplers allowing track to be designed to suit a wide range of lay-outs.

VARIATIONS

- White or black bodies and accessories.
- 3000K and 4000K colour temperatures.
- CRI 90+ available upon request.

IMAGES

PRODUCT IMAGES



Coulis Mini - Grey



Coulis Mini - Grey - behind



Coulis Mini - Grey - profile



Coulis Mini - White



Coulis Mini - Black - with Track



Coulis Mini - White - Open



Coulis Dial

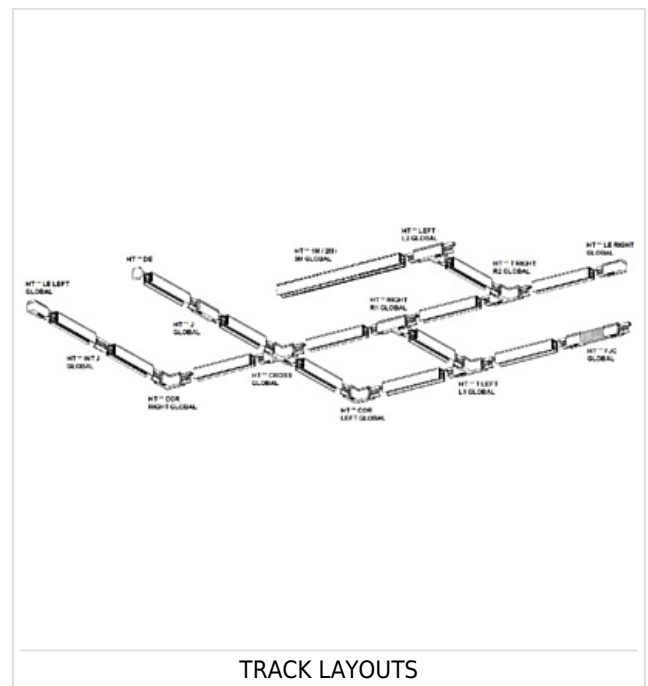
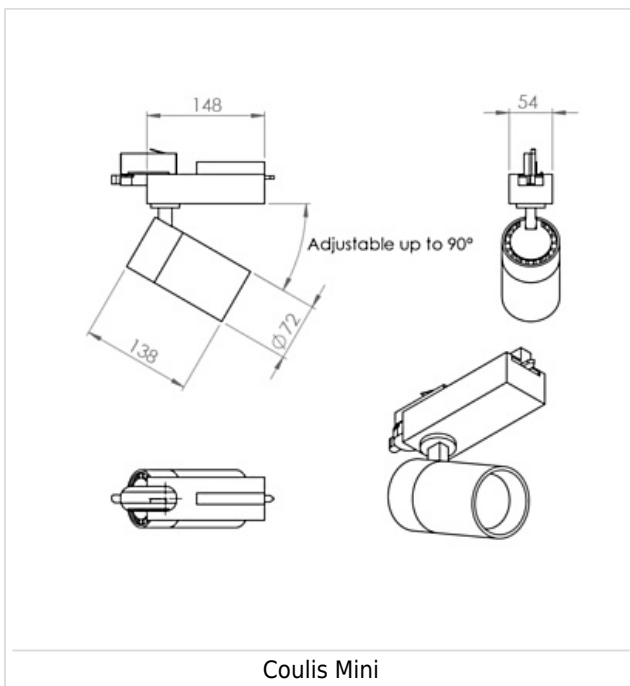


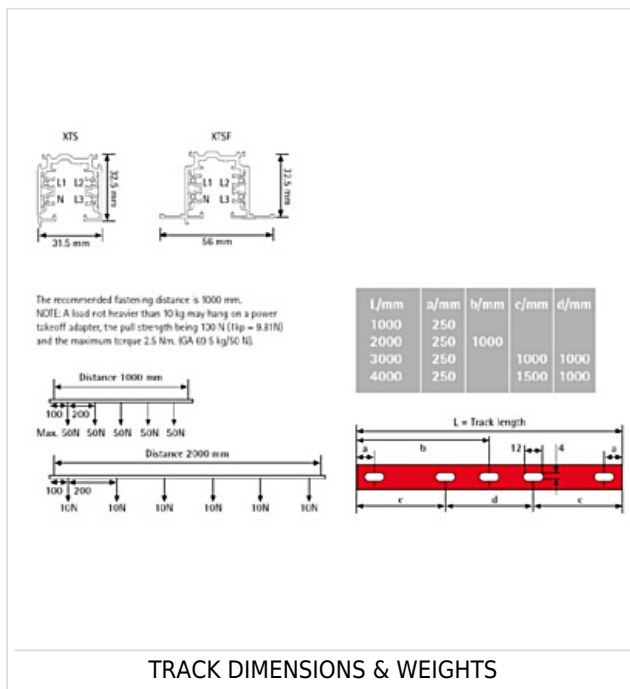
Driver gear

PROJECT IMAGES



TECHNICAL





TRACK DIMENSIONS & WEIGHTS

WARRANTY

At Dextra our commitment to service has been at the forefront throughout our history spanning more than forty years in the UK lighting market. Our service ethos extends beyond design and delivery, we believe supporting your installation throughout the warranty period is equally crucial, whilst the strength and longevity of Dextra Group provides peace of mind that our warranty will be supported throughout.

The Dextra range is supplied with a five year warranty commencing from the date of delivery. During the first three years defects will be repaired on site and the warranty will include both parts and labour. For the final two years drivers, emergency modules, wireless modules, sensors and LED circuits will be supplied free of charge to replace defective components, labour and other associated costs are not included.

Certain ranges and components are subject to exemptions:

- Lithium batteries are provided with a three year warranty for parts and labour. Nickel Metal Hydride and Nickel Cadmium batteries are provided with a one year warranty for parts and labour.
- Emergency luminaires including AME LED, EX1 LED, EX12 LED, EX1 Track, HBE LED, HBE2 LED, OAT2 LED, OEZ LED and Twinspot with Nickel Metal Hydride batteries are supplied with a one year warranty for parts and labour. Lithium variants of these ranges are supplied with a three year warranty for parts and labour with the exception of the AME2, EX13, HBE3 and TWS IP65 L7 ranges which are supplied with a one year parts and labour warranty.
- Protec Micro, 7W Fire Rated Downlights and Serenus are provided with a five year replacement luminaire only warranty.
- Controls systems such as standalone sensors, switches, marshalling boxes and cabling are provided with a one year warranty for both parts and labour. DALI control systems are provided with a two year warranty for both parts and labour.
- LEDextra ranges including Glide Power, Glide Mini, Glide RGBW, Colour Glide, Glide In Ground, Glide Pixel and AluLED ranges are supplied with a three year parts or replacement luminaire only warranty.
- LEDEX ranges are supplied with a three year replacement luminaire only warranty.

All warranties are subject to correct use of the product and will be invalidated by misuse, for example incorrect installation, unsuitable environmental conditions or incorrect maintenance. It is the duty of the customer to ensure that all the fault lies with the luminaire prior to requesting replacement parts or site repairs. In the event that no defect is found with the product our costs for attending site will be recharged to the customer and credit will not be issued against returned products. No consequential losses incurred resulting from any defect with our product will be reimbursed.

Given the nature of LED technology a small percentage of LEDs may fail during the lifetime of a luminaire, this does not cause a reduction in lumen output. As such LED luminaires are only deemed to be faulty for warranty purposes when in excess of ten percent of LEDs have failed in a single luminaire

On site repair of products under warranty will be undertaken during normal working hours, 9am to 5pm Monday to Friday, and will require unrestricted access to luminaires. Where required Dextra will provide access equipment to carry out repairs at height, should luminaires have been installed in locations where reasonable provision for maintenance access has not been made we reserve the right to supply replacement product only.

If you require any assistance with regards to our products please contact our Customer Services department on 01747 858100.

[DOWNLOAD WARRANTY PDF](#)

ORDER CODES

LUMINAIRE CODES

Code	Description	Wattages	Llm/W
COUS ** L14 40 GB	Coulis Mini LED, 949lIm, 40 Degree Beam Angle, Colour 84, Global	9.13W	103
COUS ** L20 40 GB	Coulis Mini LED, 1348lIm, 40 Degree Beam Angle, Colour 84, Global	12.7W	106
COUS ** L30 40 GB	Coulis Mini LED, 2102lIm, 40 Degree Beam Angle, Colour 84, Global	18.01W	116
COUS ** L14 40 C83 GB	Coulis Mini LED, 949lIm, 40 Degree Beam Angle, Colour C83, Global	8.57W	110
COUS ** L20 40 C83 GB	Coulis Mini LED, 1348lIm, 40 Degree Beam Angle, Colour C83, Global	12.17W	110
COUS ** L30 40 C83 GB	Coulis Mini LED, 2102lIm, 40 Degree Beam Angle, Colour C83, Global	19.06W	110

** Insert BL for Black or leave blank for White,

DIMMING OPTIONS

Code	Description
A	Digital Addressable Lighting Interface (DALI)

MISCELLANEOUS

Code	Description
------	-------------

** Insert BL for Black or leave blank for White,