

PRODUCT SPECIFICATION

CAPO XL



INTRODUCTION

The Capo LED XL is a modern take on the classic Highbay luminaire used in countless warehouse, manufacturing and retail applications around the country. The Capo LED XL provides a modern and attractive appearance with similar lumen output to traditional 250W and 400W HID luminaires with typically half the energy consumption and minimal maintenance requirements ensuring that the Capo LED XL provides rapid return on investment in the vast majority of applications. With a matt grey or white aluminium rear housing, a translucent collar available in a range of colours and opal refractor the Capo LED XL can also be customised to suit any corporate theme.

The Capo LED XL is available in three lumen outputs, 6513lm, 12,676lm and 17,718lm luminaire lumens ensuring it can be used as an effective replacement for the majority of HID sources and is also available in dimming and emergency variants eliminating the need for costly separate emergency lighting systems.

- CE
- IP20
- L90 / 60K OPERATING HOURS
- 3 STEP MACADAM ELLIPSE

APPLICATION

- Industrial/Manufacturing
- Retail
- Warehouse/Storage

SPECIFICATION

CONSTRUCTION

- Matt grey or white aluminium spun housing.
- Translucent collar available in a range of colour options.
- Opal reflector.

PERFORMANCE

- Available in 6513lm, 12,676lm and 17,718lm luminaire lumen variants.
- L2 compliant.
- LM80 verified: 90% LED lumen maintenance at 60,000 operating hours.

EMERGENCY

- Available with standard, self test and auto test emergency options.

CONTROL

- Available with Digital, DALI and Switch Dimming control gear.

INSTALLATION

- Supplied complete with single point suspension kit allowing for simple replacement of traditional highbay luminaires.

IMAGES

PRODUCT IMAGES



Capo LED XL



Capo LED XL with white body

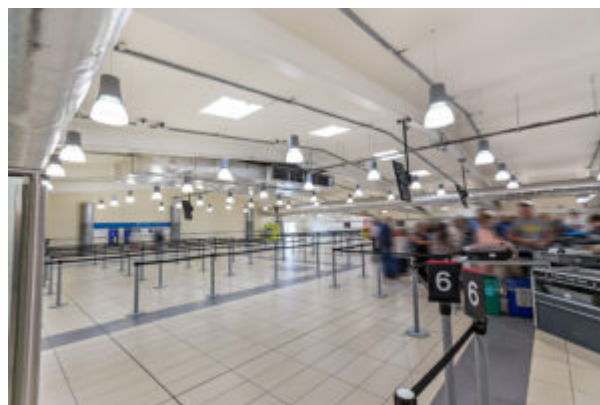


Capo LED XL Green Collar

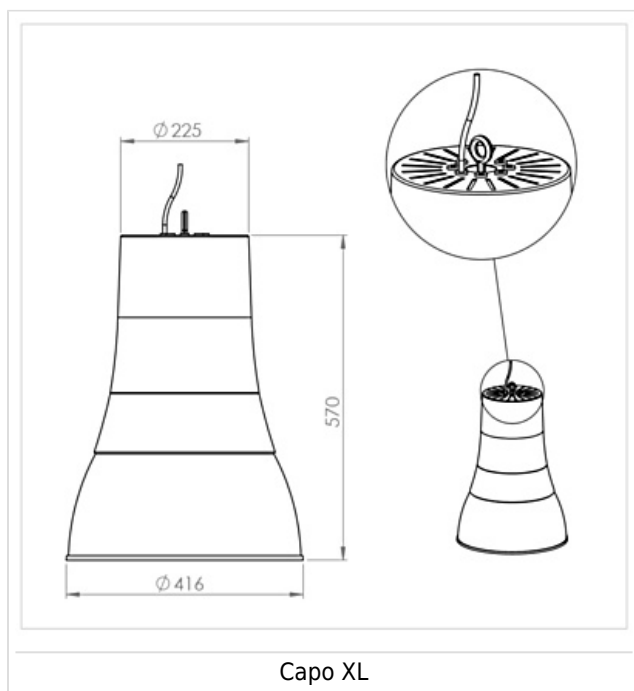


Capo LED XL Orange Collar

PROJECT IMAGES



TECHNICAL



WARRANTY

5 year warranty on LED product ranges is subject to a maximum of 4000 operating hours per year and only applies where failures exceed the component manufacturers expected failure rate and lumen depreciation.

Dextra products are supplied with a 12 month warranty for any defect that may occur with the product during this time. Any defect will either be repaired on site free of charge or the defective product may be replaced on a chargeable basis and credit given against defective product returned. The course of action taken will be at our discretion and dependent on the nature of the defect.

The control gear within our high frequency and LED luminaires is further underwritten by our suppliers for a period of up to 5 years in total from the time of purchase. This comprises labour and parts for the first 3 years and free of charge components only for the final 2 years.

PROTEC LED FR 8W GU10 luminaires and all Emergency LED ranges such as LED 3, EXI, HBE, OAT, OEZ, AME, OEH and TWS * are exempt from the 5 year warranty and are supplied with 1 year warranty only. PROTEC LED COB luminaires are supplied with a three year warranty for replacement luminaires only.

Glide Power, Glide Mini, Glide RGBW, Colour Glide and Glide In Ground ranges are supplied with a three year parts or replacement luminaire only warranty.

All warranties are subject to correct use of the product and will be invalidated by misuse, for example incorrect installation or unsuitable environmental conditions.

It is the duty of the customer to ensure that all relevant tests have been carried out prior to requesting site visits or replacement products, for example replacement of lamps, commissioning of sensors and inspection of external wiring. In the event that no defect is found with the product our costs for attending site will be recharged to the customer and credit will not be issued against returned products.

No consequential losses incurred resulting from any defect with our product will be reimbursed.

Consumable commodities such as lamps, starters and batteries are excluded from these warranty terms. Batteries are supplied with a twelve month warranty only.

5 year warranty on LED product ranges is subject to a maximum of 4000 operating hours per year and only applies where failures exceed the component manufacturers expected failure rate and lumen depreciation.

If you require any assistance with regards to our products please do not hesitate to contact our Customer Services department on 01747 858100.

*The LED4 Emergency LED range is supplied with a three year battery warranty and 5 year luminaire warranty.

ORDER CODES

LUMINAIRE CODES

Code	Description	Circuit Wattage	Llm/W
CAP XL L80	Capo XL, 6513lIm, Grey Housing, Colour 84	76.3W	85
CAP XL L160	Capo XL, 12,676lIm, Grey Housing, Colour 84	154.3W	82
CAP XL L240	Capo XL, 17,718lIm, Grey Housing, Colour 84	225.3W	78

Supplied complete with 3m suspension kit.

Other collar colours available on request (dependent on quantity).

C83 available on request.

DIMMING OPTIONS

Code	Description
A	Digital Addressable Lighting Interface (DALI)
S	Switch Dimming
C	Bi-Level Dimming for use with standalone switched sensor

Please note that the Capo XL L160 uses two drivers per luminaire and the Capo XL L240 uses three drivers per luminaire and therefore require an appropriate number of addresses on the DALI network.

LIGHTING CONTROLS

Code	Description
RLI	Dextra Reacta-Link System
RD	Reacta-Dim

Please click [here](#) for full details on our wireless controls.

EMERGENCY

Code	Description
E3	3 Hour Maintained Emergency Pack (Integral)
ST3	Self Test
AT3	Autotest Emergency
STR	Emergency Reacta-Link

AT3 Emergency can not be combined with dimming variants.

MISCELLANEOUS

Code	Description
WH	White Housing

Other collar colours available on request (dependent on quantity)