

PRODUCT SPECIFICATION

BTEC



INTRODUCTION

The BTEC Downlight is ideal for customers who need a premium quality downlight with high quality LEDs and drivers, excellent efficiency and a 5 year warranty, whilst still suiting those on a more restricted budget.

With a spun aluminium housing and injection moulded cable retention, the BTEC Downlight provides a seamless single piece white aluminium reflector and bezel. The BTEC Downlight is available with all common dimming and lithium emergency variants as well as offering compatibility with our Reacta-Link system where web based control and reporting of luminaires is required, or Reacta-Dim where local wireless dimming and control is required.

The BTEC range comes in two sizes, 167mm diameter and 220mm diameter but can be supplied with a range of infill rings where required if your ceiling cut out is not compatible with the standard luminaire range.

- CE
- IP40
- IP65
- L90 / 60K OPERATING HOURS
- 3 STEP MACADAM ELLIPSE

APPLICATION

- Canteen
- Corridor

- Education
- Healthcare/Social Housing
- Hotel/Leisure
- Industrial/Manufacturing
- Retail
- Toilet
- Transport
- Warehouse/Storage

SPECIFICATION

CONSTRUCTION

- Spun aluminium housing
- High transmission polycarbonate diffuser
- Injection moulded cable retention
- Spring clip retention into ceiling

PERFORMANCE

- LM80 verified: 90% LED lumen maintenance at 60,000 operating hours
- Standard Deviation Colour Match = 3 Step Macadam's Ellipse

CONTROL

- Dimming options including DALI, Switch Dim, HFR Analogue and DSI
- Compatible with a range of standalone sensors.

EMERGENCY

- Available with optional standard, self test and autotest integral emergency with lithium batteries for extended warranty and lifetime.

INSTALLATION

- Supplied with two retaining spring clips.
- Suitable for plasterboard, mineral fibre or metal ceiling tile.
- Available with a range of infill rings to suit larger cut out sizes.

VARIATIONS

- Available in two sizes, medium and large.
- IP40 as standard, available with optional IP65 seal (requires silicon sealant to be applied to seal to the ceiling surface).

IMAGES

PRODUCT IMAGES



BTEC

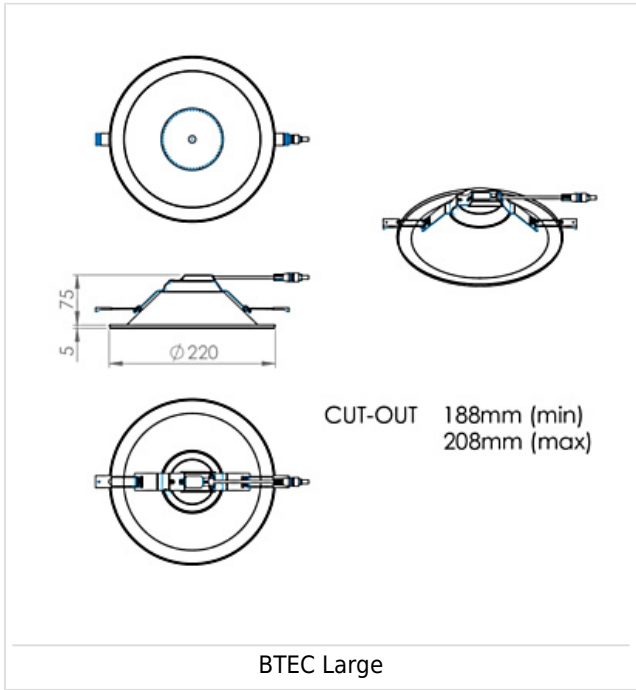
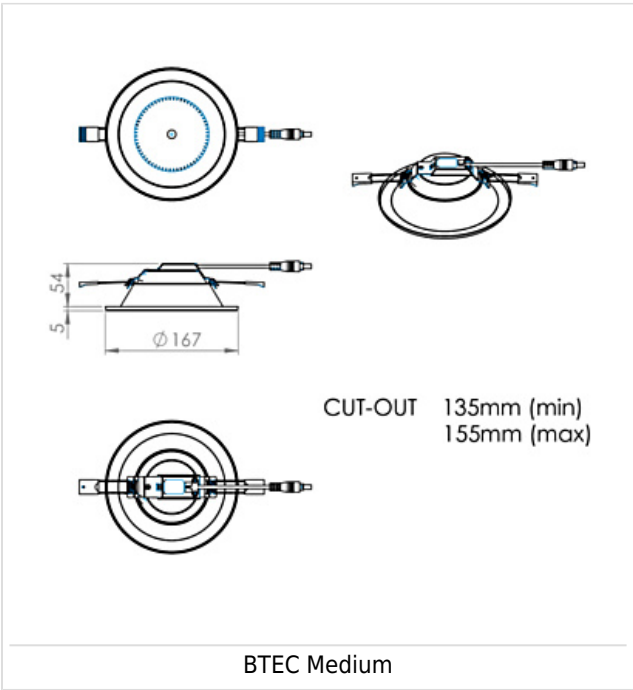


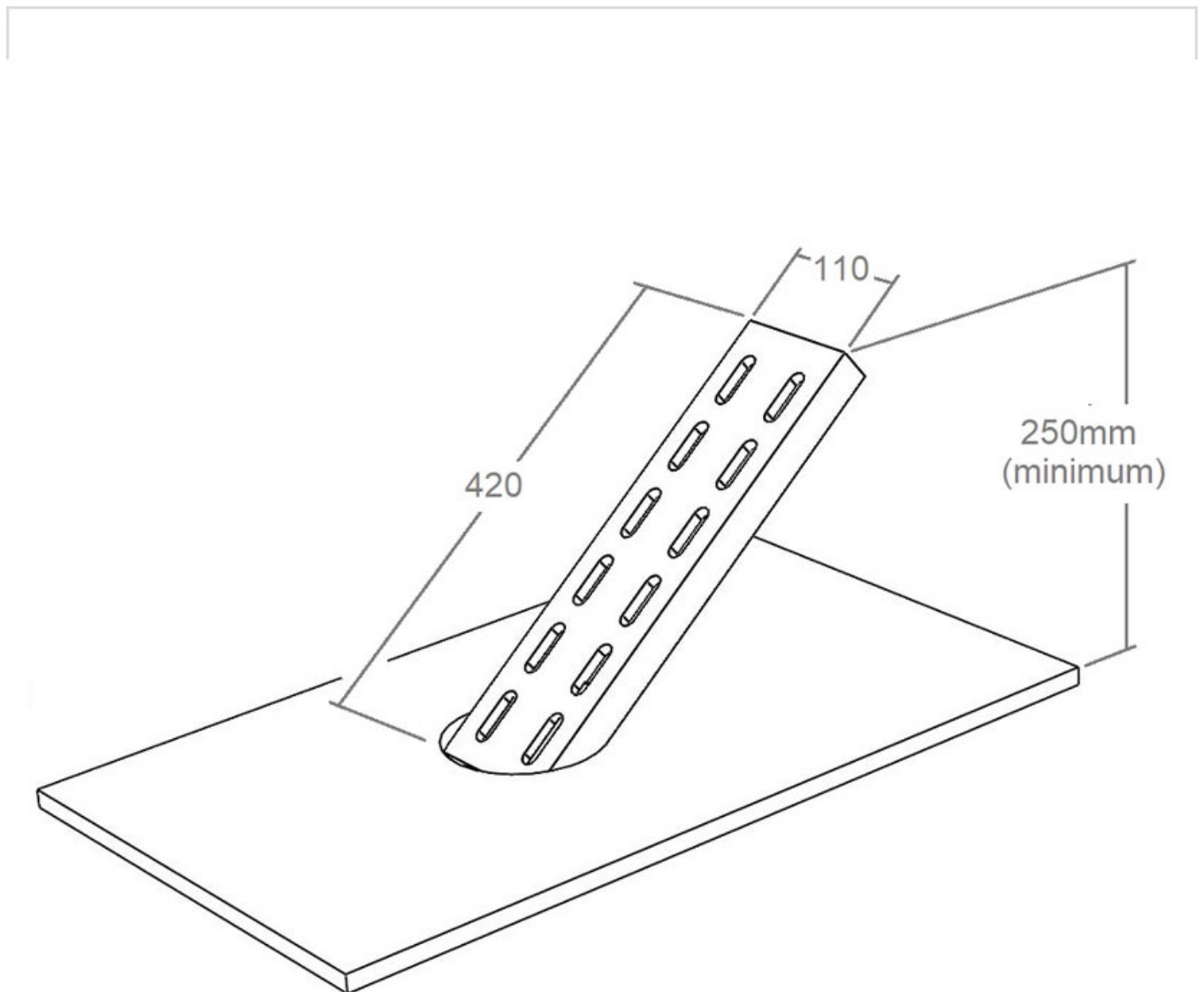
BTEC with driver

PROJECT IMAGES



TECHNICAL





BTEC Remote Emergency Pack Installation

WARRANTY

At Dextra our commitment to service has been at the forefront throughout our history spanning more than forty years in the UK lighting market. Our service ethos extends beyond design and delivery, we believe supporting your installation throughout the warranty period is equally crucial, whilst the strength and longevity of Dextra Group provides peace of mind that our warranty will be supported throughout.

The Dextra range is supplied with a five year warranty commencing from the date of delivery. During the first three years defects will be repaired on site and the warranty will include both parts and labour. For the final two years drivers,

emergency modules, wireless modules, sensors and LED circuits will be supplied free of charge to replace defective components, labour and other associated costs are not included.

Certain ranges and components are subject to exemptions:

- Lithium batteries are provided with a three year warranty for parts and labour. Nickel Metal Hydride and Nickel Cadmium batteries are provided with a one year warranty for parts and labour.
- Emergency luminaires including AME LED, EXI LED, EXI2 LED, EXI Track, HBE LED, HBE2 LED, OAT2 LED, OEZ LED and Twinspace with Nickel Metal Hydride batteries are supplied with a one year warranty for parts and labour. Lithium variants of these ranges are supplied with a three year warranty for parts and labour with the exception of the AME2, EXI3, HBE3 and TWS IP65 L7 ranges which are supplied with a one year parts and labour warranty.
- Protec Micro, 7W Fire Rated Downlights and Serenus are provided with a five year replacement luminaire only warranty.
- Controls systems such as standalone sensors, switches, marshalling boxes and cabling are provided with a one year warranty for both parts and labour. DALI control systems are provided with a two year warranty for both parts and labour.
- LEDextra ranges including Glide Power, Glide Mini, Glide RGBW, Colour Glide, Glide In Ground, Glide Pixel and AluLED ranges are supplied with a three year parts or replacement luminaire only warranty.
- LEDEX ranges are supplied with a three year replacement luminaire only warranty.

All warranties are subject to correct use of the product and will be invalidated by misuse, for example incorrect installation, unsuitable environmental conditions or incorrect maintenance. It is the duty of the customer to ensure that all the fault lies with the luminaire prior to requesting replacement parts or site repairs. In the event that no defect is found with the product our costs for attending site will be recharged to the customer and credit will not be issued against returned products. No consequential losses incurred resulting from any defect with our product will be reimbursed.

Given the nature of LED technology a small percentage of LEDs may fail during the lifetime of a luminaire, this does not cause a reduction in lumen output. As such LED luminaires are only deemed to be faulty for warranty purposes when in excess of ten percent of LEDs have failed in a single luminaire

On site repair of products under warranty will be undertaken during normal working hours, 9am to 5pm Monday to Friday, and will require unrestricted access to luminaires. Where required Dextra will provide access equipment to carry out repairs at height, should luminaires have been installed in locations where reasonable provision for maintenance access has not been made we reserve the right to supply replacement product only.

If you require any assistance with regards to our products please contact our Customer Services department on 01747 858100.

[DOWNLOAD WARRANTY PDF](#)

ORDER CODES

LUMINAIRE

Code	Description	Wattages	Llm/W
BTECM L13	BTEC Medium, 167mm diameter, 1,103lm, Colour 84	8.3W	133
BTECM L22	BTEC Medium, 167mm diameter, 1,885lm, Colour 84	17.0W	111
BTECL L22	BTEC Large, 220mm diameter, 1,951lm, Colour 84	16.7W	117

BTECL L30	BTEC Large, 220mm diameter, 2,571lm, Colour 84	20.7W	124
BTECL L40	BTEC Large, 220mm diameter, 3,428lm, Colour 84	27.0W	127

DIMMING

Code	Description
A	DALI Digital Addressable Lighting Interface
S	Switch Dimming
D	DSI Digital Dimming
C	Bi-Level Dimming For Standalone Switched Sensor

CONTROL

Code	Description
RLI	Reacta-Link, Wireless Enabled Luminaire
RLS	Reacta-Link Wireless, Presence, 2.5-4M*
RD	Reacta-Dim, Wireless Dimming / Switching

*Sensor supplied with luminaire for installation in adjacent ceiling tile. Only suitable for IP20 applications.

EMERGENCY

Code	Description
LE3	Lithium Standard Emergency 3 Hour
LS3	Lithium Selftest Emergency 3 Hour
LA3	Lithium Autotest Emergency 3 Hour
LSTR	Lithium Reacta-Link Emergency 3 Hour
CB	Central Battery, Please specify 50v, 110v or 230v when ordering

MISCELLANEOUS

Code	Description
C**	Select Colour Temperature and Rendering; C83, C84, C85, C865, C93, C94
4PM	4 Pole Panel Mount
6PM	6 Pole Panel Mount
INFILL	Infill Rings to Suit Over Size Ceiling Cut Out, Please Specify Size when Ordering
IP65	IP65 Rated (Internal Use Only)