



## PRODUCT SPECIFICATION

---

AMENITY PLUS METAL - CIRCULAR



---

## INTRODUCTION

---

The Dextra Amenity Plus Metal - Circular is available in various lumen outputs offering significantly lower power consumption than fluorescent equivalents. The Amenity Plus Metal - Circular is manufactured with a high pressure die cast aluminium housing for improved strength and durability and can be offered with optional integral sensor, emergency, corridor mode or dimming options as well as either circular or square and black or white housings.

The Amenity Plus range is sealed to IP65 allowing for use in external areas such as under canopies or wall mounting, however is equally suited to a range of internal applications such as corridors, stairways, toilets and storage areas.

- CE
- IP65
- IK10
- L90 / 60K OPERATING HOURS
- 3 STEP MACADAM ELLIPSE

---

## APPLICATION

---

- Canteen
- Commercial/Offices
- Corridor
- Education

- Exterior
- Healthcare/Social Housing
- Hotel/Leisure
- Industrial/Manufacturing
- Parking/Exterior
- Retail
- Stairwell
- Store Room
- Toilet
- Transport
- Warehouse/Storage

---

## SPECIFICATION

---

### CONSTRUCTION

- Polycarbonate diffuser with high pressure die aluminium housing.
- Steel gear tray powder painted white.
- IP65 rated.

### PERFORMANCE

- LM80 verified: 90% LED lumen maintenance at 60,000 operating hours.
- Standard Deviation Colour Match – 3 Step Macadam’s Ellipse.

### CONTROL

- Available with Switch dimming and DALI dimming.

### EMERGENCY

- Available with standard, self test and autotest emergency.

### INSTALLATION

- Suitable for side conduit entry or rear cable entry.

---

## IMAGES

---

### PRODUCT IMAGES

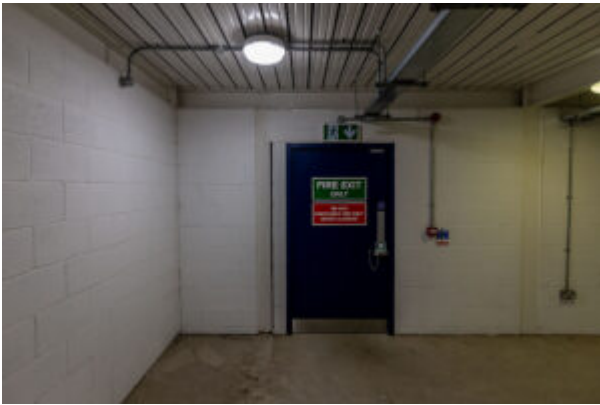


Amenity Plus Metal - Round - White

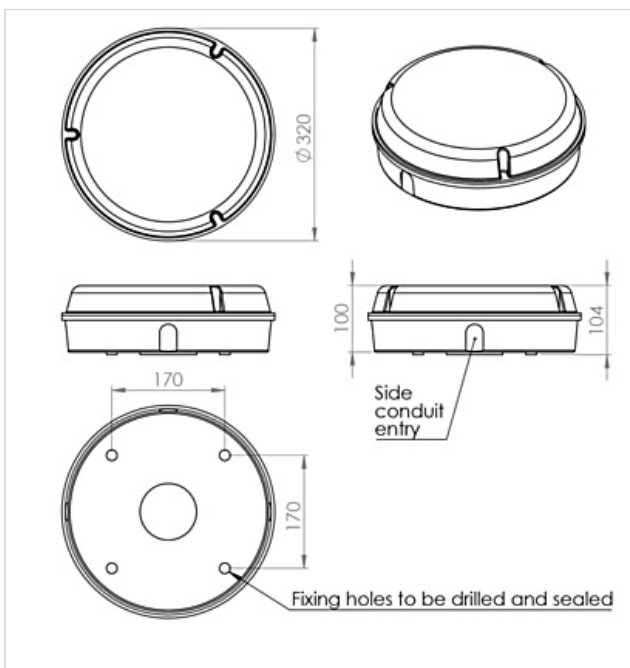


Amenity Plus Metal - Round - Black

## PROJECT IMAGES



## TECHNICAL



Amenity Plus Metal Circular

---

## WARRANTY

---

At Dextra our commitment to service has been at the forefront throughout our history spanning more than forty years in the UK lighting market. Our service ethos extends beyond design and delivery, we believe supporting your installation throughout the warranty period is equally crucial, whilst the strength and longevity of Dextra Group provides peace of mind that our warranty will be supported throughout.

The Dextra range is supplied with a five year warranty commencing from the date of delivery. During the first three years defects will be repaired on site and the warranty will include both parts and labour. For the final two years drivers, emergency modules, wireless modules, sensors and LED circuits will be supplied free of charge to replace defective components, labour and other associated costs are not included.

Certain ranges and components are subject to exemptions:

- Lithium batteries are provided with a three year warranty for parts and labour. Nickel Metal Hydride and Nickel Cadmium batteries are provided with a one year warranty for parts and labour.
- Emergency luminaires including AME LED, EXI LED, EXI2 LED, EXI Track, HBE LED, HBE2 LED, OAT2 LED, OEZ LED and Twinspot with Nickel Metal Hydride batteries are supplied with a one year warranty for parts and labour. Lithium variants of these ranges are supplied with a three year warranty for parts and labour.
- Protec Micro, Fire Rated Downlights and Serenus are provided with a five year replacement luminaire only warranty.
- Controls systems such as standalone sensors, switches, marshalling boxes and cabling are provided with a one year warranty for both parts and labour. DALI control systems are provided with a two year warranty for both parts and labour.
- LEDextra ranges including Glide Power, Glide Mini, Glide RGBW, Colour Glide, Glide In Ground, Glide Pixel and AluLED ranges are supplied with a three year parts or replacement luminaire only warranty.
- LEDEX ranges are supplied with a three year replacement luminaire only warranty.

All warranties are subject to correct use of the product and will be invalidated by misuse, for example incorrect installation, unsuitable environmental conditions or incorrect maintenance. It is the duty of the customer to ensure that all the fault lies with the luminaire prior to requesting replacement parts or site repairs. In the event that no defect is found with the product our costs for attending site will be recharged to the customer and credit will not be issued against returned products. No consequential losses incurred resulting from any defect with our product will be reimbursed.

Given the nature of LED technology a small percentage of LEDs may fail during the lifetime of a luminaire, this does not cause a reduction in lumen output. As such LED luminaires are only deemed to be faulty for warranty purposes when in excess of ten percent of LEDs have failed in a single luminaire

On site repair of products under warranty will be undertaken during normal working hours, 9am to 5pm Monday to Friday, and will require unrestricted access to luminaires. Where required Dextra will provide access equipment to carry out repairs at height, should luminaires have been installed in locations where reasonable provision for maintenance access has not been made we reserve the right to supply replacement product only.

If you require any assistance with regards to our products please contact our Customer Services department on 01747 858100.

## ORDER CODES

### LUMINAIRE CODES

Code	Description	Circuit Wattages	Llm/W
Large Circular Metal			
AMEC L15 BO MET	Amenity Plus LED, 1119lm, Large Circular Metal, Black Opal, Colour 84	9.5W	117
AMEC L15 WO MET	Amenity Plus LED, 1119lm, Large Circular Metal, White Opal, Colour 84	9.5W	117
AMEC L20 BO MET	Amenity Plus LED, 1506lm, Large Circular Metal, Black Opal, Colour 84	14.6W	103
AMEC L20 WO MET	Amenity Plus LED, 1506lm, Large Circular Metal, White Opal, Colour 84	14.6W	103
AMEC L30 BO MET	Amenity Plus LED, 2253lm, Large Circular Metal, Black Opal, Colour 84	20W	112
AMEC L30 WO MET	Amenity Plus LED, 2253lm, Large Circular Metal, White Opal, Colour 84	20W	112

### DIMMING OPTIONS

Code	Description
A	Digital Addressable Lighting Interface (DALI)
S	Switch Dimming
C	Bi-Level Dimming for use with standalone switched sensor
D	Digital dimming (DSI)

### LIGHTING CONTROL

Code	Description
R25E	Reacta 25, On/Off (Microwave Presence / Brightout Sensor)
R25C*	Reacta 25, Corridor Mode (Microwave Presence / Brightout Sensor )
R25W	Reacta-Wave, Wireless Linked sensor
R25WE	Reacta-Wave, Wireless Linked Sensor, On / Off
PH	Photocell
RLM	Reacta-Link Microwave

Please click [here](#) for full details on our wireless controls.

\*Bi-Level Dimming. Will only dim the luminaire to 10% during absence and brightout, it will not turn the luminaire off unless combined with separate photocell for dusk to dawn operation.

### EMERGENCY

Code	Description
LE3	Lithium Emergency 3 Hour
LS3	Lithium Selftest
LA3	Lithium Autotest
STR	Emergency Reacta-Link
CB230	Central Battery 230v Changeover Module

### MISCELLANEOUS

Code	Description
TRS	Tamper Resistant Screws
TRS INSTALL KIT	Tamper Resistant Compatible Screwdriver Heads
NL	Night Light
Night Light is not available with integral emergency variants.	
C83	Colour Rendering Index 80, Colour Temperature 3000K