

REAS 7 DR15 LL ML T Sensor

Product Specification



+44 (0)1747 858100
dextragroup.co.uk/dexsor

Dexsor
DETECTION



INTRODUCTION

The Reacta 7 - REAS 7 DR15 LL ML T Primary sensor is a surface mounted standalone PIR sensor with switching relay and DSI or DALI dimming. Tilttable lens. Bus linking enables one Primary and up to three Secondary sensors to act as one control group.

FEATURES & BENEFITS

- Passive infrared PIR occupancy detection.
- Surface Mounting.
- Daylight sensing via photocell.
- DSI or DALI dimming
- Tilttable lens.
- Plug & play LCM connectable option.
- Bus linkable - 1 Primary and up to 3 Secondaries.
- Programmable via infrared programming tools.

APPLICATION

- Classrooms
- Corridors
- Hospitals
- Lobby's
- Meeting Rooms
- Offices
- Receptions

TECHNICAL DATA

- Technology - PIR.
- Occupancy mode (presence/absence).
- Area coverage 7m @ 2.5m mounting height.
- Nominal voltage 230v, 50/60Hz.
- Load rating (switching relay) 10Amps.
- Supports up to 15 x DSI or DALI ballasts/drivers.
- Bus linking 1 x Primary and up to 3 Secondaries.
- Ambient operating temperature range 0°C to 45°C.
- Ingress protection rating IP4X.
- Standby power consumption 500mW.
- Fascia colour white.
- Product weight 140g.
- Housing flame retardant PC/ABS.

- Product conformity – EMC-2004/108/EC.
- Product conformity – LVD – 2006/95/EC.
- Product conformity – RoHS-2011/65/EU.

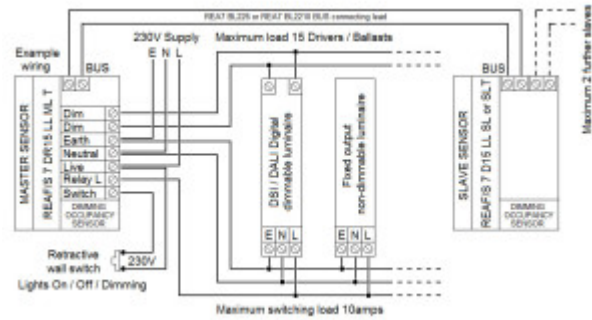
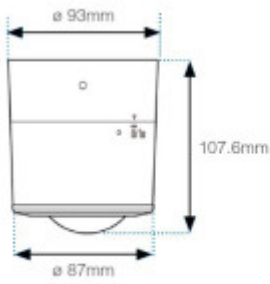
ADJUSTABLE PARAMETERS

- Occupancy Timeout.
 - Photocell Operation.
 - Photocell Turn ON Level.
 - Photocell Turn OFF Level.
 - Power-up State.
 - Movement Sensitivity.
 - Indicator LEDs.
 - Trigger Mode (absence/presence).
 - Bus information sharing.
-
- REA7 PTHDIR
 - REA DPA
 - REA7 UCHDIR

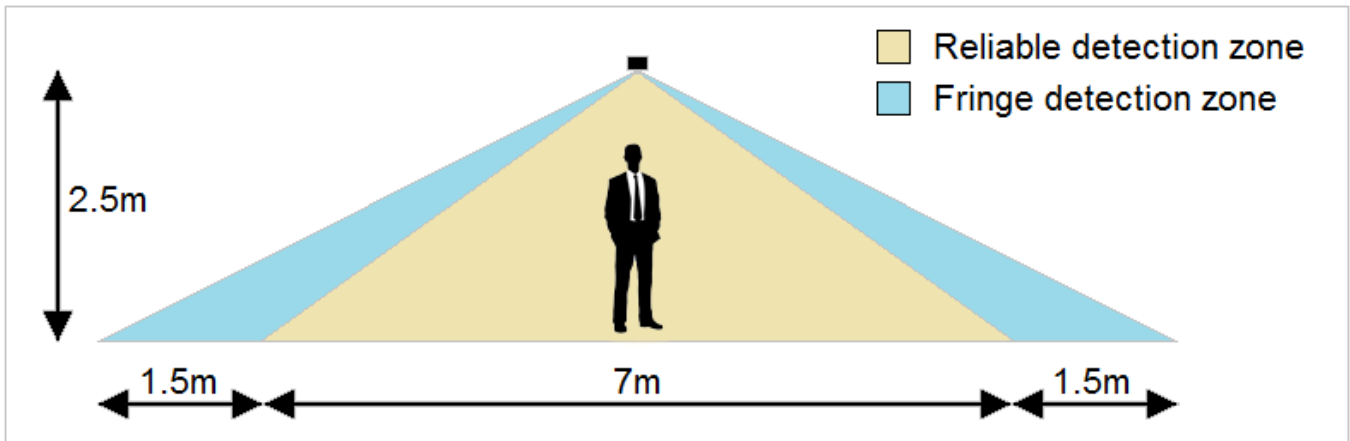
IMAGES



DIAGRAMS



SENSOR DETECTION



ORDER CODES

SENSOR

Code	Description
REAS 7 DR15 LL ML T	Surface Mounted, Low Level, 10Amp Switching Relay, DSi/DALI Dimming, Manual Override, IP4X