

REAS 7 D15 LL Sensor

Product Specification



+44 (0)1747 858100
dextragroup.co.uk/dexsor

Dexsor
DETECTION



INTRODUCTION

The Reacta 7 - REAS 7 D15 LL sensor is a surface mounted standalone PIR sensor with DSI or DALI dimming output.

FEATURES & BENEFITS

- Passive infrared PIR occupancy detection.
- Surface Mounting.
- Daylight sensing via photocell.
- DSI or DALI Dimming output.
- Plug & play LCM connectable option.
- Programmable via infrared programming tools.

APPLICATION

- Classrooms
- Corridors
- Hospitals
- Lobby's
- Meeting Rooms
- Offices
- Receptions

TECHNICAL DATA

- Technology - PIR.
- Occupancy mode (presence/absence).
- Area coverage 7m @ 2.5m mounting height.
- Nominal voltage 230v, 50/60Hz.
- Supports up to 15 x DSI or DALI ballasts/drivers.
- Ambient operating temperature range 0°C to 45°C.
- Ingress protection rating IP4X.
- Standby power consumption 150mW.
- Fascia colour white.
- Product weight 140g.
- Housing flame retardant PC/ABS.
- Product conformity - EMC-2004/108/EC.
- Product conformity - LVD - 2006/95/EC.
- Product conformity - RoHS-2011/65/EU.

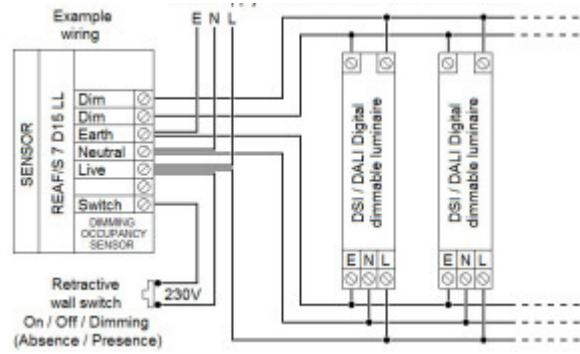
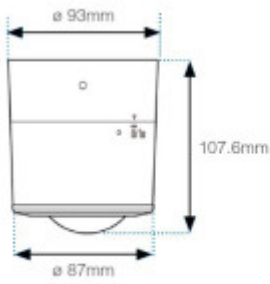
ADJUSTABLE PARAMETERS

- Occupancy Timeout.
 - Photocell Operation.
 - Photocell Turn ON Level.
 - Photocell Turn OFF Level.
 - Power-up State.
 - Movement Sensitivity.
 - Indicator LEDs.
 - Trigger Mode (absence/presence).
 - Daylight regulating.
-
- REA7 PTHDIR
 - REA DPA
 - REA7 UCHDIR

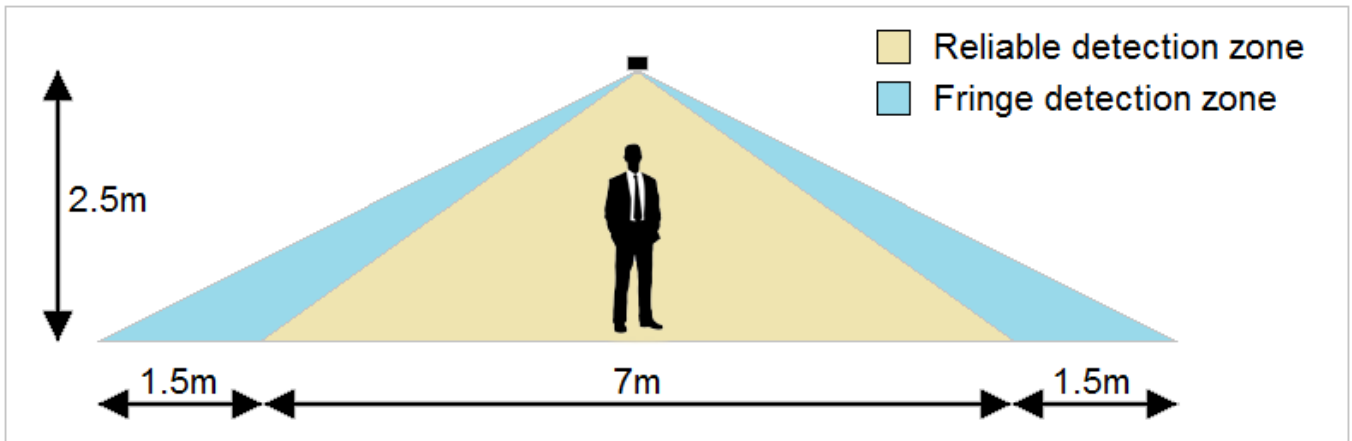
IMAGES



DIAGRAMS



SENSOR DETECTION



ORDER CODES

SENSOR

Code	Description
REAS 7 D15 LL	Surface Mounted, Low Level, Without Relay, DSi/DALI Dimming, Manual Override, IP4X