

REAS 7 6A LL Sensor

Product Specification



+44 (0)1747 858100
dextragroup.co.uk/dexsor

Dexsor
DETECTION



INTRODUCTION

The Reacta 7 - REAS 7 6A LL sensor is a surface mounted standalone passive infrared sensor with bright out function to control fixed output (non dimmable) high frequency luminaires, or other devices such as extraction fans.

FEATURES & BENEFITS

- Passive infrared PIR occupancy detection.
- Flush Mounting.
- Daylight sensing via photocell.
- Plug & play LCM connectable option.
- Programmable via infrared programming tools.

APPLICATION

- Classrooms
- Corridors
- Hospitals
- Lobby's
- Meeting Rooms
- Offices
- Receptions

TECHNICAL DATA

- Technology - PIR.
- Occupancy mode (presence/absence).
- Area coverage 7m @ 2.5m mounting height.
- Nominal voltage 230v, 50/60Hz.
- Load rating (switching relay) 6Amps.
- Ambient operating temperature range 0°C to 45°C.
- Ingress protection rating IP4X.
- Standby power consumption 500mW.
- Fascia colour white.
- Product weight 140g.
- Housing flame retardant PC/ABS.
- Product conformity - EMC-2004/108/EC
- Product conformity - LVD - 2006/95/EC.
- Product conformity - RoHS-2011/65/EU.

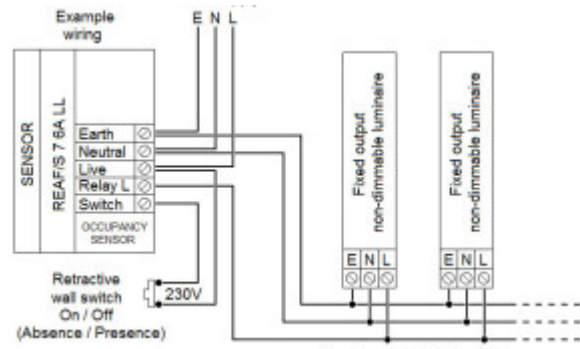
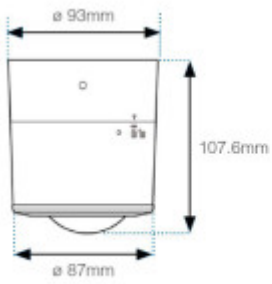
ADJUSTABLE PARAMETERS

- Occupancy Timeout.
 - Photocell Operation.
 - Photocell Turn ON Level.
 - Photocell Turn OFF Level.
 - Power-up State.
 - Movement Sensitivity.
 - Indicator LEDs.
 - Trigger Mode (absence/presence).
-
- REA7 PTHDIR
 - REA DPA
 - REA7 UCHDIR

IMAGES



DIAGRAMS



ORDER CODES

SENSOR

Code	Description
REAS7 6A LL	Surface Mounted, Low Level Sensor, 6Amps Switching Relay, Non-Dimming, Manual Override, IP4X