

REAF 7 DR15 LL ML T Sensor

Product Specification



+44 (0)1747 858100
dextragroup.co.uk/dexsor

Dexsor
DETECTION



INTRODUCTION

The Reacta 7 - REAF 7 DR15 LL ML T Primary sensor is a recessed flush mounted standalone PIR sensor with switching relay and DSI or DALI dimming output. Tilttable lens. Bus linking enables up to four sensors to act as one control group.

FEATURES & BENEFITS

- Passive infrared PIR occupancy detection.
- Flush Mounting.
- Daylight sensing via photocell.
- DSI or DALI dimming output.
- Tilttable lens.
- Plug & play LCM connectable option.
- Bus linkable - 1 Primary and up to 3 Secondaries.
- Programmable via infrared programming tools.

APPLICATION

- Classrooms
- Corridors
- Hospitals
- Lobby's
- Meeting Rooms
- Offices
- Receptions

TECHNICAL DATA

- Technology - PIR.
- Occupancy mode (presence/absence).
- Area coverage 7m @ 2.5m mounting height.
- Nominal voltage 230v, 50/60Hz.
- Load rating (switching relay) 10Amps.
- Supports up to 15 x DSI or DALI ballasts/drivers.
- Bus linking 1 x Primary and up to 3 Secondaries.
- Ambient operating temperature range 0°C to 45°C.
- Ingress protection rating IP4X.
- Standby power consumption 500mW.
- Fascia colour white.
- Product weight 140g.
- Housing flame retardant PC/ABS.

- Product conformity – EMC-2004/108/EC.
- Product conformity – LVD – 2006/95/EC.
- Product conformity – RoHS-2011/65/EU.

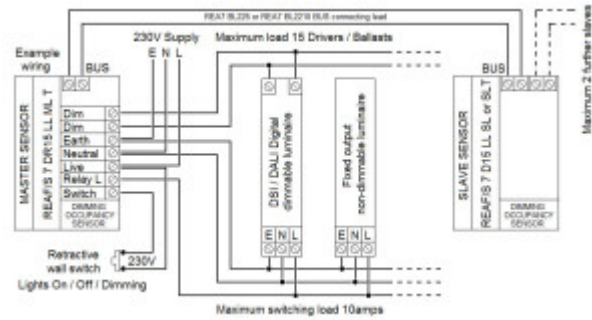
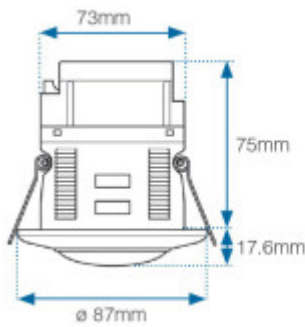
ADJUSTABLE PARAMETERS

- Occupancy Timeout.
- Photocell Operation.
- Photocell Turn ON Level.
- Photocell Turn OFF Level.
- Power-up State.
- Movement Sensitivity.
- Indicator LEDs.
- Trigger Mode (absence/presence).
- Bus information sharing.

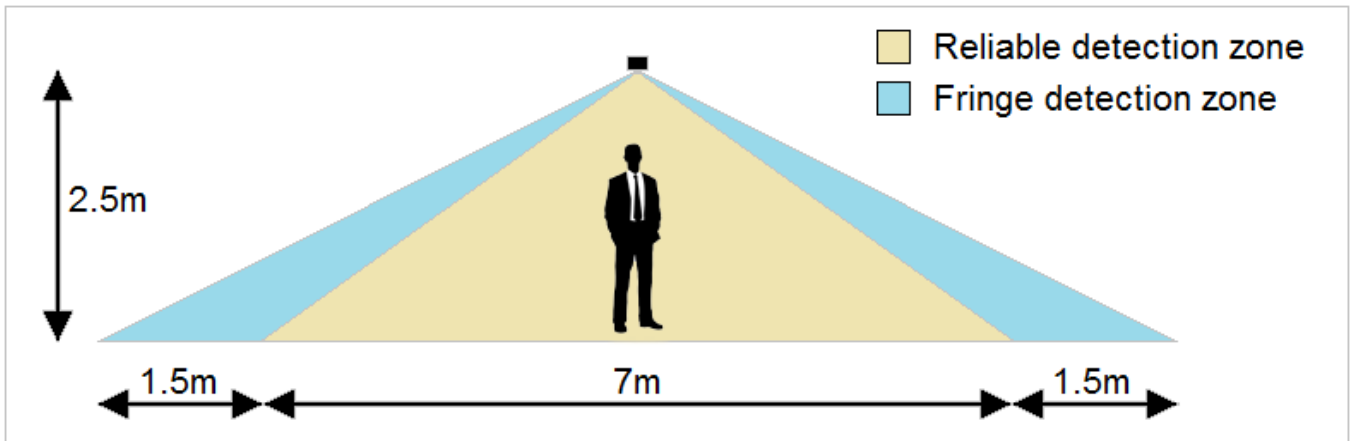
IMAGES



DIAGRAMS



SENSOR DETECTION



ORDER CODES

SENSOR

Code	Description
REAF 7 DR15 LL ML T	Flush Mounted, Low Level, 10Amp Switching Relay, DSI/DALI Dimming, Manual Override, IP4X