

REAF 7 D15 LL SL SENSOR

Product Specification



+44 (0)1747 858100
dextragroup.co.uk/dexsor

Dexsor
DETECTION



INTRODUCTION

The Reacta 7 - REAF 7 D15 LL SL Secondary sensor is a recessed flush mounted standalone PIR sensor with DSI or DALI dimming output. Bus linking enables up to four sensors to act as one control group.

FEATURES & BENEFITS

- Passive infrared PIR occupancy detection.
- Flush Mounting.
- Daylight sensing via photocell.
- DSI or DALI dimming output.
- Plug & play LCM connectable option.
- Bus linkable - 1 Primary and up to 3 secondaries.
- Programmable via infrared programming tools.

APPLICATION

- Classrooms
- Corridors
- Hospitals
- Lobby's
- Meeting Rooms
- Offices
- Receptions

TECHNICAL DATA

- Technology - PIR.
- Occupancy mode (presence/absence).
- Area coverage 7m @ 2.5m mounting height.
- Nominal voltage 230v, 50/60Hz.
- Supports up to 15 x DSI or DALI ballasts/drivers.
- Bus linking 1 x Primary and up to 3 Secondaries.
- Ambient operating temperature range 0°C to 45°C.
- Ingress protection rating IP4X.
- Standby power consumption 500mW.
- Fascia colour white.
- Product weight 140g.
- Housing flame retardant PC/ABS.
- Product conformity - EMC-2004/108/EC.
- Product conformity - LVD - 2006/95/EC.

- Product conformity - RoHS-2011/65/EU.

ADJUSTABLE PARAMETERS

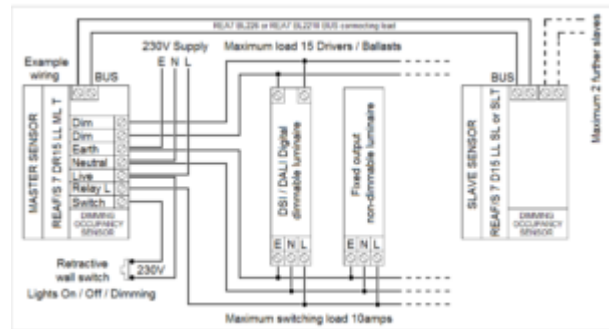
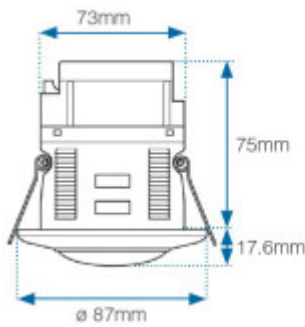
- Occupancy Timeout.
- Photocell Operation.
- Photocell Turn ON Level.
- Photocell Turn OFF Level.
- Power-up State.
- Movement Sensitivity.
- Indicator LEDs.
- Trigger Mode (absence/presence).
- Bus information sharing.

- REA7 PTHDIR
- REA DPA
- REA7 UCHDIR

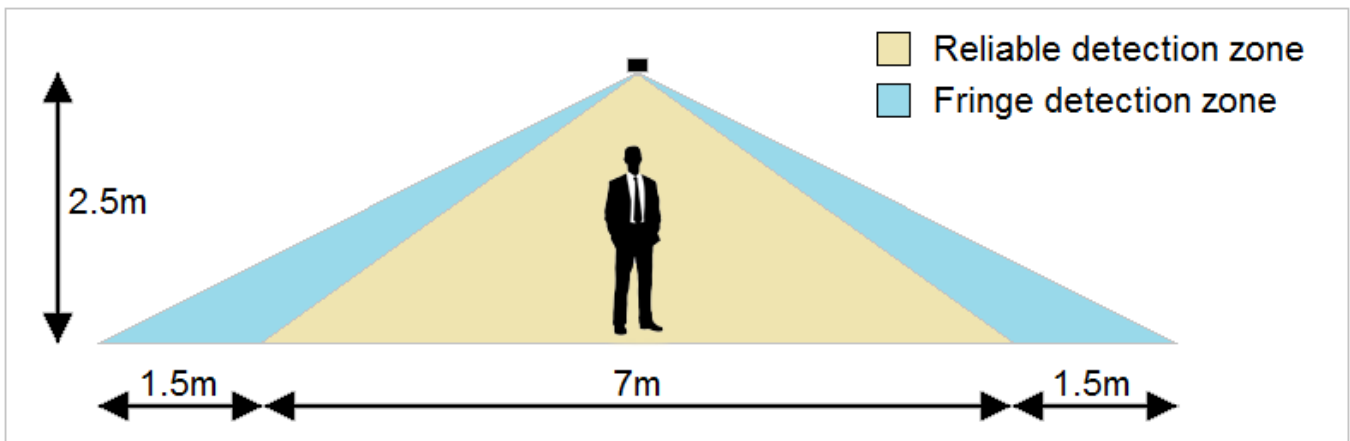
IMAGES



DIAGRAMS



SENSOR DETECTION



ORDER CODES

SENSOR

Code	Description
REAF 7 D15 LL SL	Flush Mounted, Low Level, DSI/DALI Dimming, Manual Override, IP4X, BUS Link Secondary