

# REAF 7 D15 LL Sensor

Product Specification



**+44 (0)1747 858100**  
[dextragroup.co.uk/dexsor](http://dextragroup.co.uk/dexsor)

**Dexsor**  
DETECTION



---

## INTRODUCTION

---

The Reacta 7 - REAF 7 D15 LL sensor is a recessed flush mounted standalone PIR sensor with DSI or DALI dimming output.

---

## FEATURES & BENEFITS

---

- Passive infrared PIR occupancy detection.
- Flush Mounting.
- Daylight sensing via photocell.
- DSI or DALI Dimming output.
- Plug & play LCM connectable option.
- Programmable via infrared programming tools.

---

## APPLICATION

---

- Classrooms
- Corridors
- Hospitals
- Lobby's
- Meeting Rooms
- Offices
- Receptions

---

## TECHNICAL DATA

---

- Technology - PIR.
- Occupancy mode (presence/absence).
- Area coverage 7m @ 2.5m mounting height.
- Nominal voltage 230v, 50/60Hz.
- Supports up to 15 x DSI or DALI ballasts/drivers.
- Ambient operating temperature range 0°C to 45°C.
- Ingress protection rating IP4X.
- Standby power consumption 150mW.
- Fascia colour white.
- Product weight 140g.
- Housing flame retardant PC/ABS.
- Product conformity - EMC-2004/108/EC.
- Product conformity - LVD - 2006/95/EC.
- Product conformity - RoHS-2011/65/EU.

---

## ADJUSTABLE PARAMETERS

---

- Occupancy Timeout.
  - Photocell Operation.
  - Photocell Turn ON Level.
  - Photocell Turn OFF Level.
  - Power-up State.
  - Movement Sensitivity.
  - Indicator LEDs.
  - Trigger Mode (absence/presence).
  - Daylight regulating.
- 
- REA7 PTHDIR
  - REA DPA
  - REA7 UCHDIR

---

## IMAGES

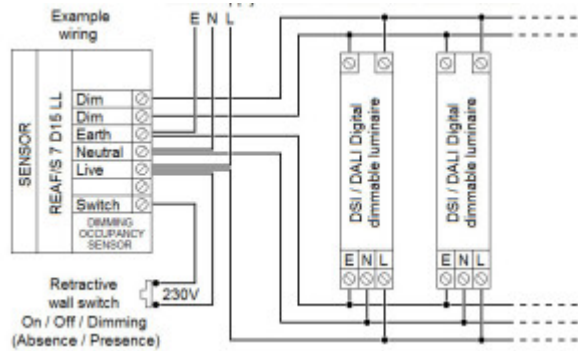
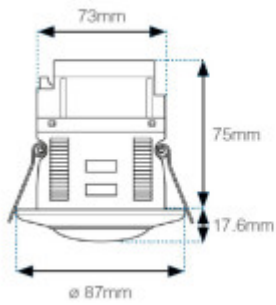
---



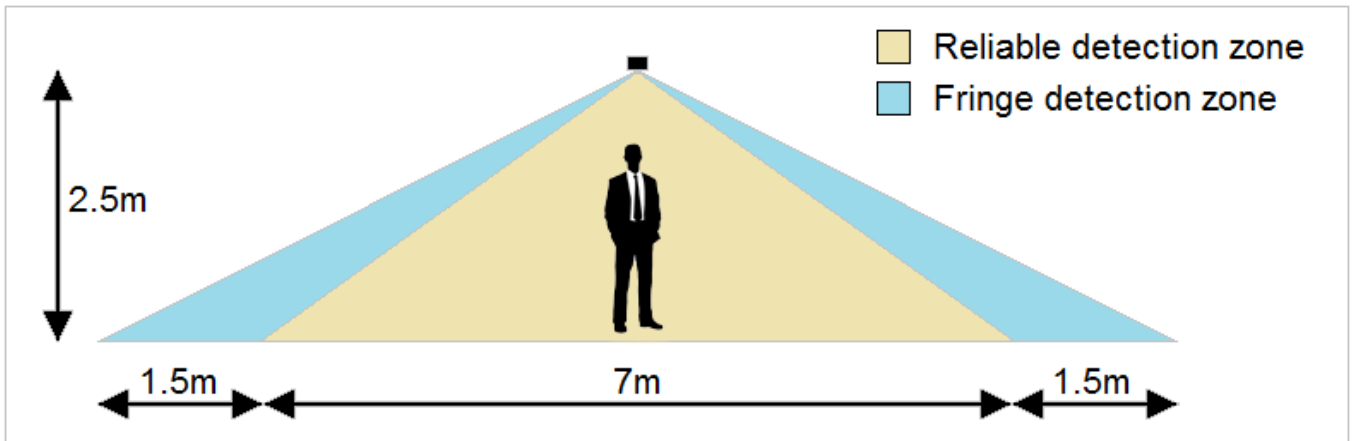
---

## DIAGRAMS

---



## SENSOR DETECTION



## ORDER CODES

### SENSOR

Code	Description
REAF 7 D15 LL	Flush Mounted, Low Level, Without Relay, DSi/DALI Dimming, Manual Override, IP4X