



PRODUCT SPECIFICATION

SERIAL LED



INTRODUCTION

The Serial LED has been designed as a retro-fit solution to enable retailers to upgrade their existing fluorescent troffer systems without the expense of removing the troff itself. As traditional installations commonly support the surrounding ceiling structure the cost to remove them can often outweigh the efficiency gains available. With the Serial LED the contractor simply removes the old lamps and louvres before installing the new LED gear trays into the existing carcass via bespoke brackets, the high transmission optic is then clipped into place and the diffuser frame covers the trim of the existing troff, making it look like a new installation from underneath. The gear trays can be supplied with simple piano key connectors allowing you to re-terminate the existing power supplies or alternatively they are available with either a 4 pole, 6 pole or 9 pole 2.5mm square male/female wiring loom allowing for a dual switching emergency and dimming control. Available in a variety of lumen outputs this outstanding product range has become the benchmark for retailers nationwide, offering a cost effective sustainable retro-fit solution that's quick to install and easy to maintain.

- CE
- IP20
- L90 / 60K OPERATING HOURS
- 3 STEP MACADAM ELLIPSE

APPLICATION

- Hotel/Leisure
- Retail

SPECIFICATION

CONSTRUCTION

- Luminaire constructed from steel and powder painted BS OOE55 60% gloss white.
- Ultra high transmission diffuser optic retained within steel frame.
- Zintec fixing brackets.

PERFORMANCE

- Available in a wide range of lumen outputs.
- LM80 verified: 90% LED lumen maintenance at 60,000 operating hours.
- Standard Deviation Colour Match – 3 Step Macadam’s Ellipse.
- LOR up to 79%.
- L2 complaint*.

*specific variants only

CONTROL

- HFR High frequency analogue dimming 1-10v.
- SD(E) Switch dimming.
- DSI(E) Digital dimming.
- DSI(X) Digital addressable lighting interface.

EMERGENCY

- Integral three hour standard maintained, self-test or auto-test.

INSTALLATION

- 4,6 or 9 pole piano key connectors or 4,6 or 9 pole 2.5mm square integrated male/female wiring looms.
- Quick electrical connection with plug and socket system.
- Fixing brackets secured into existing fluorescent carcass.
- Gear trays secured to fixing brackets and diffuser clips in from underneath.

VARIATIONS

- Fully customisable to suit any ceiling system.
- Optional integral R24D sensor to give presence detection or daylight regulation.
- Selection of blind units (dummy infills) that could incorporate adjustable spot lights and on site services.

IMAGES

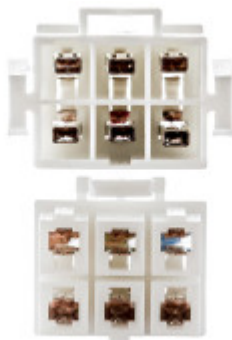
PRODUCT IMAGES



Serial LED



4 pole connector blocks.



6 pole connector blocks.

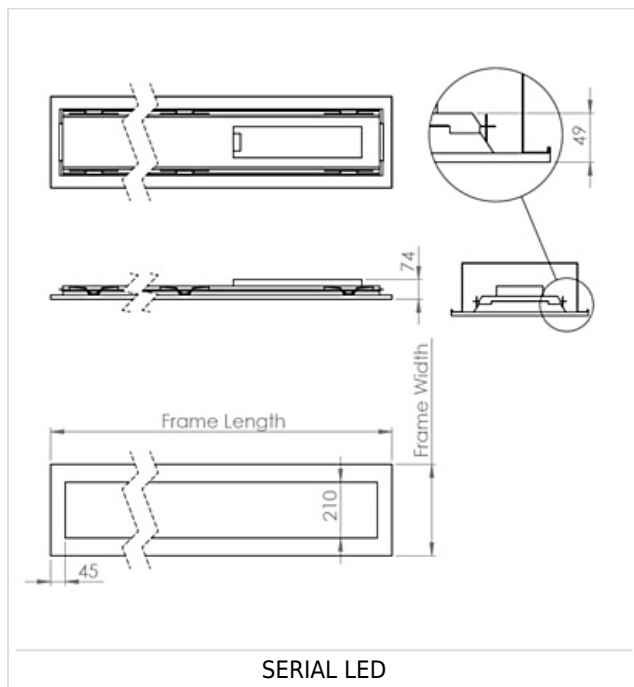


9 pole connector blocks.

PROJECT IMAGES



TECHNICAL



WARRANTY

5 year warranty on LED product ranges is subject to a maximum of 4000 operating hours per year and only applies where failures exceed the component manufacturers expected failure rate and lumen depreciation.

Dextra products are supplied with a 12 month warranty for any defect that may occur with the product during this time. Any defect will either be repaired on site free of charge or the defective product may be replaced on a chargeable basis and credit given against defective product returned. The course of action taken will be at our discretion and dependent on the nature of the defect.

The control gear within our high frequency and LED luminaires is further underwritten by our suppliers for a period of up to 5 years in total from the time of purchase. This comprises labour and parts for the first 3 years and free of charge components only for the final 2 years.

PROTEC LED FR 8W GU10 luminaires and all Emergency LED ranges such as LED 3, EXI, HBE, OAT, OEZ, AME, OEH and TWS * are exempt from the 5 year warranty and are supplied with 1 year warranty only. PROTEC LED COB luminaires are supplied with a three year warranty for replacement luminaires only.

Glide Power, Glide Mini, Glide RGBW, Colour Glide and Glide In Ground ranges are supplied with a three year parts or replacement luminaire only warranty.

All warranties are subject to correct use of the product and will be invalidated by misuse, for example incorrect installation or unsuitable environmental conditions.

It is the duty of the customer to ensure that all relevant tests have been carried out prior to requesting site visits or

replacement products, for example replacement of lamps, commissioning of sensors and inspection of external wiring. In the event that no defect is found with the product our costs for attending site will be recharged to the customer and credit will not be issued against returned products.

No consequential losses incurred resulting from any defect with our product will be reimbursed.

Consumable commodities such as lamps, starters and batteries are excluded from these warranty terms. Batteries are supplied with a twelve month warranty only.

5 year warranty on LED product ranges is subject to a maximum of 4000 operating hours per year and only applies where failures exceed the component manufacturers expected failure rate and lumen depreciation.

If you require any assistance with regards to our products please do not hesitate to contact our Customer Services department on 01747 858100.

*The LED4 Emergency LED range is supplied with a three year battery warranty and 5 year luminaire warranty.

ORDER CODES

LUMINAIRE CODES

Code	Description	Circuit Wattage	Llm/W
SRL L52 OP	Serial LED, 1200mm, 5200 Lumen Gear Tray c/w High Transmission Diffuser & Wiring Loom		
SRL L60 OP	Serial LED, 1200mm, 6000 Lumen Gear Tray c/w High Transmission Diffuser & Wiring Loom		
SRL L65 OP	Serial LED, 1500mm, 6500 Lumen Gear Tray c/w High Transmission Diffuser & Wiring Loom		
SRL L75 OP	Serial LED, 1500mm, 7500 Lumen Gear Tray c/w High Transmission Diffuser & Wiring Loom		
SRL L78 OP	Serial LED, 1800mm, 7800 Lumen Gear Tray c/w High Transmission Diffuser & Wiring Loom		
SRL L90 OP	Serial LED, 1800mm, 9000 Lumen Gear Tray c/w High Transmission Diffuser & Wiring Loom		

EMERGENCY

Code	Description
E3	3 Hour Integral Emergency
ST3	Self Test
AT3	Autotest Emergency

DIMMING & CONTROL GEAR

Code	Description
H	High Frequency Dimming (Analogue 1-10v)
S	Switch Dimming
A	Digital Addressable Lighting Interface (DALI)
D	Digital Dimming (DSI)

LIGHTING CONTROL

Code	Description
RLI	Dextra Reacta-Link System
RLS	Reacta-Link presence detection sensor

Please click [here](#) for full details on our wireless controls.

EMERGENCY

Code	Description
STR	Emergency Reacta-Link
CB230	Central Battery 230v Changeover Module

MISCELLANEOUS

Code	Description
4PP	4 Pole Piano Key Connector
6PP	6 Pole Piano Key Connector
9PP	9 Pole Piano Key Connector
4TW	4 Pole 2.5mm ² Wiring Loom c/w Male/Female Connectors
6TW	6 Pole 2.5mm ² Wiring Loom c/w Male/Female Connectors
9TW	9 Pole 2.5mm ² Wiring Loom c/w Male/Female Connectors
SRL 4P 5M START	4 Pole 5m 2.5mm ² Starter Lead
SRL 6P 5M START	6 Pole 5m 2.5mm ² Starter Lead
SRL 9P 5M START	9 Pole 5m 2.5mm ² Starter Lead
SRL BRKTS PAIR	Pair of Fixing Brackets