

PRODUCT SPECIFICATION

SEQUENT LED CURVE



INTRODUCTION

The Sequent LED Curve is the latest addition to our popular Sequent range, designed for rapid installation this cost effective system offers maximum optical performance with minimal glare. The trunking comes in 1m, 2m, 3m and 4m lengths and is supplied with robust steel splice brackets to help maintain system rigidity. Safety tether fixing points run throughout the trunking sections to aid installation and future system maintenance. Special 2m long gear trays are supplied fully assembled out the box with a pre-fitted wiring loom and diffuser optic. They are available with either a 4pole, 6pole or 9pole 2.5mm square male/female wiring loom allowing for dual switching, emergency and dimming control. Bespoke curved opal diffusers offer maximum light transmission whilst shielding the point source of the LED chips to minimise glare from below. The fully assembled 2m long gear trays snap into the trunking via a simple leaf spring mechanism helping to keep installation costs to an absolute minimum. Available in a wide range of lumen outputs this industry leading cost effective LED trunking system offers versatility without compromising on aesthetics or performance.

- CE
- IP20
- L90 / 60K OPERATING HOURS
- 3 STEP MACADAM ELLIPSE

APPLICATION

- Hotel/Leisure
- Retail

SPECIFICATION

CONSTRUCTION

- Extruded anodised aluminium trunking system.
- Gear trays constructed from steel and powder painted BS OOE55 60% gloss white.
- Extruded curved diffusers manufactured from high transmission opal polycarbonate.
- Extruded cover plates manufactured from white polycarbonate.
- Injection moulded polycarbonate end caps.

PERFORMANCE

- Available in a wide range of lumen outputs.
- Can be surface mounted or suspended.
- LM80 verified: 90% LED lumen maintenance at 60,000 operating hours.
- Standard Deviation Colour Match - 3 Step Macadam's Ellipse.
- L2 compliant*.

*specific variants only

CONTROL

- HFR High frequency analogue dimming 1-10v.
- SD(E) Switch dimming.
- DSI(E) Digital dimming.
- DSI(X) Digital addressable lighting interface.

EMERGENCY

- Integral three hour standard maintained, self-test or auto-test.

INSTALLATION

- 4,6 or 9 pole 2.5mm square integrated male/female wiring looms.
- Quick electrical connection with plug and socket systems.
- Gear trays supplied fully assembled with diffuser and wiring loom.
- Gear trays snap into trunking via simple leaf spring mechanism.
- Supplied with suspension kits, starter cables and end caps as standard.

VARIATIONS

- Trunking available in 1m, 2m, 3m and 4m lengths (others available on request).
- The trunking can be supplied in white if required.
- Polycarbonate end caps can be supplied in a range of different colours to match corporate identity (subject to quantity).

IMAGES

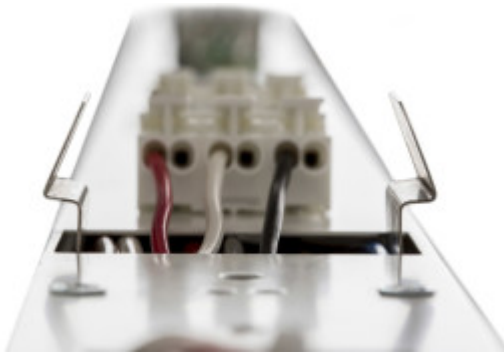
PRODUCT IMAGES



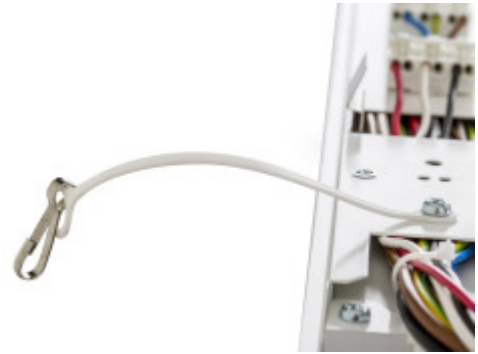
Sequent LED Curve in continuous run



Sequent LED Curve showing the safety tether system



Leaf spring mechanism



Close up of the safety tether system



4 pole connector blocks.



6 pole connector blocks.

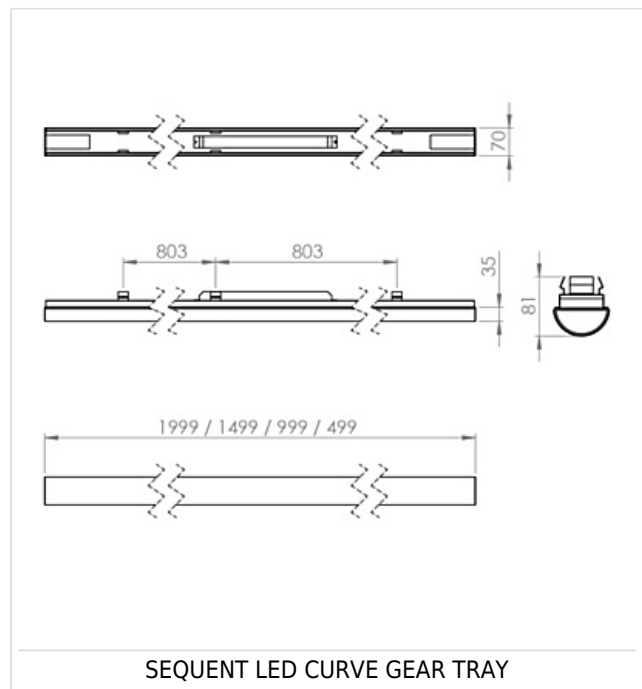
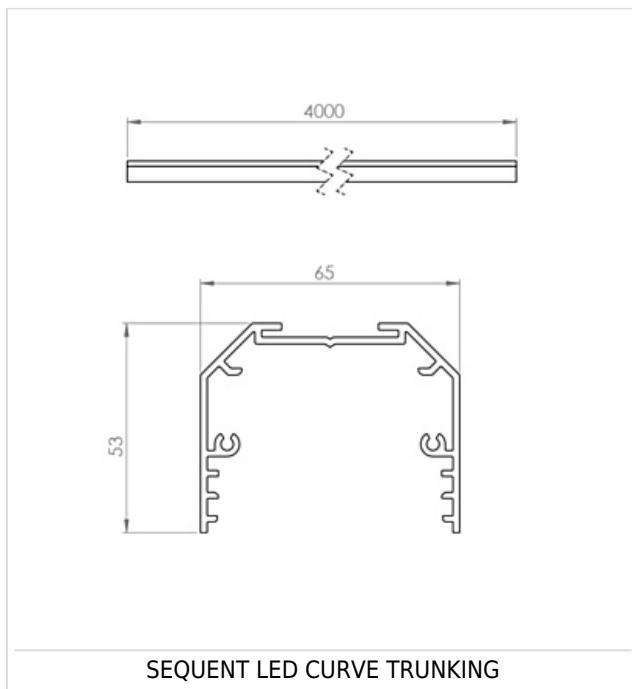


9 pole connector blocks.

PROJECT IMAGES



TECHNICAL



WARRANTY

5 year warranty on LED product ranges is subject to a maximum of 4000 operating hours per year and only applies where failures exceed the component manufacturers expected failure rate and lumen depreciation.

Dextra products are supplied with a 12 month warranty for any defect that may occur with the product during this time. Any defect will either be repaired on site free of charge or the defective product may be replaced on a chargeable basis and credit given against defective product returned. The course of action taken will be at our discretion and dependent on the nature of the defect.

The control gear within our high frequency and LED luminaires is further underwritten by our suppliers for a period of up to 5 years in total from the time of purchase. This comprises labour and parts for the first 3 years and free of charge components only for the final 2 years.

PROTEC LED FR 8W GU10 luminaires and all Emergency LED ranges such as LED 3, EXI, HBE, OAT, OEZ, AME, OEH and TWS* are exempt from the 5 year warranty and are supplied with 1 year warranty only. PROTEC LED COB luminaires are supplied with a three year warranty for replacement luminaires only.

Glide Power, Glide Mini, Glide RGBW, Colour Glide and Glide In Ground ranges are supplied with a three year parts or replacement luminaire only warranty.

All warranties are subject to correct use of the product and will be invalidated by misuse, for example incorrect installation or unsuitable environmental conditions.

It is the duty of the customer to ensure that all relevant tests have been carried out prior to requesting site visits or replacement products, for example replacement of lamps, commissioning of sensors and inspection of external wiring. In the event that no defect is found with the product our costs for attending site will be recharged to the customer and credit will not be issued against returned products.

No consequential losses incurred resulting from any defect with our product will be reimbursed.

Consumable commodities such as lamps, starters and batteries are excluded from these warranty terms. Batteries are supplied with a twelve month warranty only.

5 year warranty on LED product ranges is subject to a maximum of 4000 operating hours per year and only applies where failures exceed the component manufacturers expected failure rate and lumen depreciation.

If you require any assistance with regards to our products please do not hesitate to contact our Customer Services department on 01747 858100.

*The LED4 Emergency LED range is supplied with a three year battery warranty and 5 year luminaire warranty.

ORDER CODES

LUMINAIRE CODES

Code	Description	Circuit Wattage	Llm/w
Gear Trays			
SEQ 2L70 OP	Sequent LED Curve, 2000mm, 7000 Lumen, Gear Tray c/w Curved Opal Diffuser & Wiring Loom		
SEQ 2L100 OP	Sequent LED Curve, 2000mm, 10000 Lumen, Gear Tray c/w Curved Opal Diffuser & Wiring Loom		
SEQ 2L120 OP	Sequent LED Curve, 2000mm, 12000 Lumen, Gear Tray c/w Curved Opal Diffuser & Wiring Loom		
SEQ 2L147 OP	Sequent LED Curve, 2000mm, 14700 Lumen, Gear Tray c/w Curved Opal Diffuser & Wiring Loom		
End of Run Gear Trays			
SEQ 5L17 OP	Sequent LED Curve, 500mm, 1700 Lumen, Gear Tray c/w Curved Opal Diffuser & Wiring Loom		
SEQ 5L25 OP	Sequent LED Curve, 500mm, 2500 Lumen, Gear Tray c/w Curved Opal Diffuser & Wiring Loom		
SEQ 5L30 OP	Sequent LED Curve, 500mm, 3000 Lumen, Gear Tray c/w Curved Opal Diffuser & Wiring Loom		
SEQ 5L36 OP	Sequent LED Curve, 500mm, 3675 Lumen, Gear Tray c/w Curved Opal Diffuser & Wiring Loom		
SEQ 1L35 OP	Sequent LED Curve, 1000mm, 3500 Lumen, Gear Tray c/w Curved Opal Diffuser & Wiring Loom		
SEQ 1L50 OP	Sequent LED Curve, 1000mm, 5000 Lumen, Gear Tray c/w Curved Opal Diffuser & Wiring Loom		
SEQ 1L60 OP	Sequent LED Curve, 1000mm, 6000 Lumen, Gear Tray c/w Curved Opal Diffuser & Wiring Loom		
SEQ 1L73 OP	Sequent LED Curve, 1000mm, 7350 Lumen, Gear Tray c/w Curved Opal Diffuser & Wiring Loom		
SEQ 15L52 OP	Sequent LED Curve, 1500mm, 5250 Lumen, Gear Tray c/w Curved Opal Diffuser & Wiring Loom		
SEQ 15L75 OP	Sequent LED Curve, 1500mm, 7500 Lumen, Gear Tray c/w Curved Opal Diffuser & Wiring Loom		
SEQ 15L90 OP	Sequent LED Curve, 1500mm, 9000 Lumen, Gear Tray c/w Curved Opal Diffuser & Wiring Loom		
SEQ 15L11 OP	Sequent LED Curve, 1500mm, 11000 Lumen, Gear Tray c/w Curved Opal Diffuser & Wiring Loom		
Trunking			
SEQ TRUNK 1000	1000mm Trunking Section c/w Splice		
SEQ TRUNK 2000	2000mm Trunking Section c/w Splice		
SEQ TRUNK 3000	3000mm Trunking Section c/w Splice		
SEQ TRUNK 4000	4000mm Trunking Section c/w Splice		

DIMMING OPTIONS

Code	Description
H	High Frequency Dimming (Analogue 1-10v)
S	Switch Dimming
A	Digital Addressable Lighting Interface (DALI)
D	Digital Dimming (DSI)

LIGHTING CONTROLS

Code	Description
RLI	Dextra Reacta-Link System
RLS	Reacta-Link presence detection sensor

Please click [here](#) for full details on our wireless controls.

EMERGENCY

Code	Description
E3	3 Hour Integral Emergency
ST3	Self Test
AT3	Autotest Emergency
STR	Emergency Reacta-Link

MISCELLANEOUS

Code	Description
4TW	4 Pole 2.5mm ² Wiring Loom c/w Male/Female Connectors
6TW	6 Pole 2.5mm ² Wiring Loom c/w Male/Female Connectors
9TW	9 Pole 2.5mm ² Wiring Loom c/w Male/Female Connectors
SEQ 1M SUSP 15KIT	1m suspension kit to suit 15mm exposed tee
SEQ 3M SUSP 15KIT	3m suspension kit to suit 15mm exposed tee
SEQ 1M SUSP 24KIT	1m suspension kit to suit 24mm exposed tee
SEQ 3M SUSP 24KIT	3m suspension kit to suit 24mm exposed tee
SEQ 5M SUSP GPLKIT	5m suspension kit to suit purlin hanging
SEQ 10M SUSP GPLKIT	10m suspension kit to suit purlin hanging
SEQ DM 15KIT	Direct mount kit to suit 15mm exposed tee
SEQ DM 24KIT	Direct mount kit to suit 24mm exposed tee
SEQ ENDCAP KIT	Pair of finishing end caps for trunking
SEQ 2M CABCON	Cable containment tray