

PRODUCT SPECIFICATION

MULTI-LINE



INTRODUCTION

The Multi-Line has been developed to offer retailers a cost effective alternative to traditional extruded aluminium trunking systems. Manufactured from robust formed steel the 3m long sections are joined via integrated splice brackets which help to maintain system rigidity and alignment. Designed for rapid installation each section is supplied fully assembled out of the box with a pre-fitted wiring loom and a high transmission curved diffuser optic. They are available with either a 4 pole or 6 pole 1.5mm² double insulated male/female wiring loom allowing for dual switching, emergency and dimming control. Available in a variety of lumen outputs and with optional integral lithium emergency this simple yet effective system blends traditional materials with the latest LED technology and cutting edge optical control, delivering a cost effective solution with outstanding performance that's quick to install.

- CE
- IP20
- L90 / 60K OPERATING HOURS
- 3 STEP MACADAM ELLIPSE

APPLICATION

- Retail

SPECIFICATION

CONSTRUCTION

- Housing constructed from 0.7mm pre-coated steel.
- Extruded curved diffusers manufactured from high transmission opal polycarbonate.
- Injection moulded polycarbonate end caps.

PERFORMANCE

- Available in a wide range of lumen outputs.
- LM80 verified: 90% LED lumen maintenance at 60,000 operating hours.
- Standard Deviation Colour Match – 3 Step Macadam’s Ellipse.
- LOR up to 90%.
- L2 compliant*.

*specific variants only

CONTROL

- H - High frequency analogue dimming 1-10v.
- S - Switch dimming.
- D - Digital dimming.
- A - Digital addressable lighting interface.

EMERGENCY

- Available with optional standard, self test and autotest integral emergency with lithium batteries for extended warranty and lifetime.

INSTALLATION

- 4 or 6 pole 1.5mm² double insulated male/female wiring looms.
- Quick electrical connection with plug and socket system.
- Luminaires supplied fully assembled with diffuser and wiring loom for rapid installation.
- Wide range of suspension kits to suit any application.

VARIATIONS

- Ultra high transmission clear diffusers available on request.

IMAGES

PRODUCT IMAGES

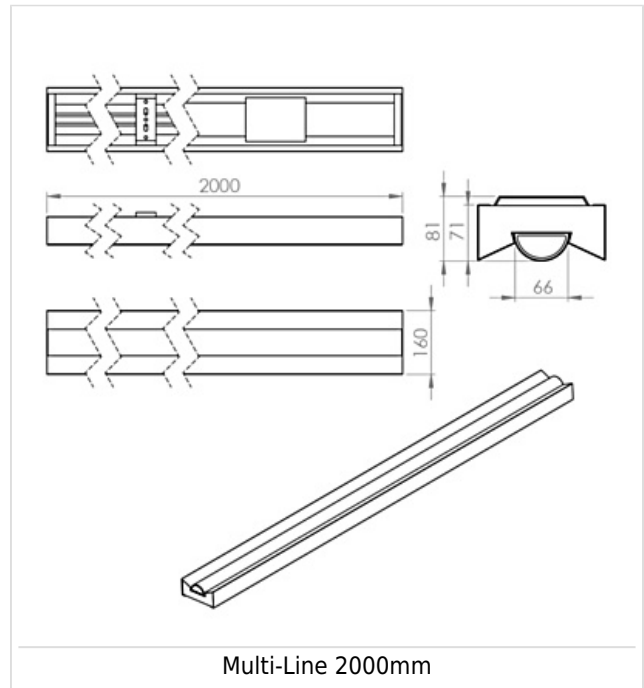
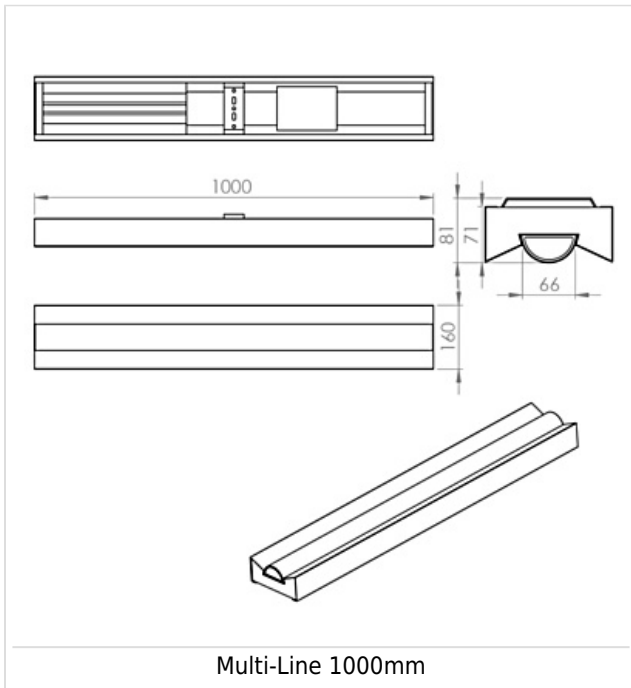


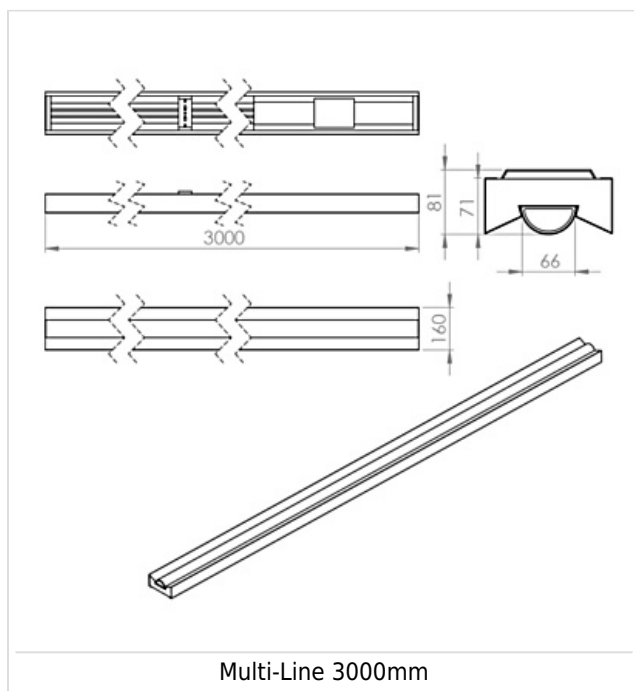
Multi-Line



Multi-Line 6 Pole Connector

TECHNICAL





WARRANTY

At Dextra our commitment to service has been at the forefront throughout our history spanning more than forty years in the UK lighting market. Our service ethos extends beyond design and delivery, we believe supporting your installation throughout the warranty period is equally crucial, whilst the strength and longevity of Dextra Group provides peace of mind that our warranty will be supported throughout.

The Dextra range is supplied with a five year warranty commencing from the date of delivery. During the first three years defects will be repaired on site and the warranty will include both parts and labour. For the final two years drivers, emergency modules, wireless modules, sensors and LED circuits will be supplied free of charge to replace defective components, labour and other associated costs are not included.

Certain ranges and components are subject to exemptions:

- Lithium batteries are provided with a three year warranty for parts and labour. Nickel Metal Hydride and Nickel Cadmium batteries are provided with a one year warranty for parts and labour.
- Emergency luminaires including AME LED, EXI LED, EXI2 LED, EXI Track, HBE LED, HBE2 LED, OAT2 LED, OEZ LED and Twinspot with Nickel Metal Hydride batteries are supplied with a one year warranty for parts and labour. Lithium variants of these ranges are supplied with a three year warranty for parts and labour with the exception of the AME2, EXI3, HBE3 and TWS IP65 L7 ranges which are supplied with a one year parts and labour warranty.
- Protec Micro, 7W Fire Rated Downlights and Serenus are provided with a five year replacement luminaire only warranty.
- Controls systems such as standalone sensors, switches, marshalling boxes and cabling are provided with a one year warranty for both parts and labour. DALI control systems are provided with a two year warranty for both parts and labour.
- LEDextra ranges including Glide Power, Glide Mini, Glide RGBW, Colour Glide, Glide In Ground, Glide Pixel and AluLED ranges are supplied with a three year parts or replacement luminaire only warranty.
- LEDEX ranges are supplied with a three year replacement luminaire only warranty.

All warranties are subject to correct use of the product and will be invalidated by misuse, for example incorrect installation, unsuitable environmental conditions or incorrect maintenance. It is the duty of the customer to ensure that all the fault lies with the luminaire prior to requesting replacement parts or site repairs. In the event that no defect is found with the product our costs for attending site will be recharged to the customer and credit will not be issued against returned products. No consequential losses incurred resulting from any defect with our product will be reimbursed.

Given the nature of LED technology a small percentage of LEDs may fail during the lifetime of a luminaire, this does not cause a reduction in lumen output. As such LED luminaires are only deemed to be faulty for warranty purposes when in excess of ten percent of LEDs have failed in a single luminaire

On site repair of products under warranty will be undertaken during normal working hours, 9am to 5pm Monday to Friday, and will require unrestricted access to luminaires. Where required Dextra will provide access equipment to carry out repairs at height, should luminaires have been installed in locations where reasonable provision for maintenance access has not been made we reserve the right to supply replacement product only.

If you require any assistance with regards to our products please contact our Customer Services department on 01747 858100.

[DOWNLOAD WARRANTY PDF](#)

ORDER CODES

LUMINAIRE

Code	Description	Circuit Wattage	Llm/W
Continuous Run			
MLN 3L90 4TW OP	Multi-Line, 7,470lm C84, 3000mm, Opal Diffuser, 4 Pole Loom	52.7W	141
MLN 3L120 4TW OP	Multi-Line, 9,960lm C84, 3000mm, Opal Diffuser, 4 Pole Loom	73.0W	135
MLN 3L150 4TW OP	Multi-Line, 12,450lm C84, 3000mm, Opal Diffuser, 4 Pole Loom	82.9W	150
MLN 3L180 4TW OP	Multi-Line, 14,940lm C84, 3000mm, Opal Diffuser, 4 Pole Loom	103.3W	144
MLN 3L220 4TW OP	Multi-Line, 18,260lm C84, 3000mm, Opal Diffuser, 4 Pole Loom	130.0W	140
End of Run			
MLN 2L60 4ER OP	Multi-Line, 4,980lm C84, 2000mm, Opal Diffuser, 4 Pole Loom	36.8W	135
MLN 2L80 4ER OP	Multi-Line, 6,640lm C84, 2000mm, Opal Diffuser, 4 Pole Loom	51.7W	128
MLN 2L100 4ER OP	Multi-Line, 8,300lm C84, 2000mm, Opal Diffuser, 4 Pole Loom	62.0W	133
MLN 2L120 4ER OP	Multi-Line, 9,960lm C84, 2000mm, Opal Diffuser, 4 Pole Loom	69.2W	143
MLN 2L147 4ER OP	Multi-Line, 12,201lm C84, 2000mm, Opal Diffuser, 4 Pole Loom	89.8W	135
MLN 1L30 4ER OP	Multi-Line, 2,490lm C84, 1000mm, Opal Diffuser, 4 Pole Loom	20.2W	123
MLN 1L40 4ER OP	Multi-Line, 3,320lm C84, 1000mm, Opal Diffuser, 4 Pole Loom	28.6W	116
MLN 1L50 4ER OP	Multi-Line, 4,150lm C84, 1000mm, Opal Diffuser, 4 Pole Loom	32.6W	127
MLN 1L60 4ER OP	Multi-Line, 4,980lm C84, 1000mm, Opal Diffuser, 4 Pole Loom	37.5W	132
MLN 1L73 4ER OP	Multi-Line, 6,062lm C84, 1000mm, Opal Diffuser, 4 Pole Loom	46.9W	129

DIMMING

Code	Description
A	DALI Digital Addressable Lighting Interface
S	Switch Dimming
D	DSI Digital Dimming

H HFR Analogue 1-10v

CONTROL

Code	Description
RLI	Reacta-Link, Wireless Enabled Luminaire
RD	Reacta-Dim, Wireless Dimming / Switching

Please click [here](#) for full details on our wireless controls.

EMERGENCY

Code	Description
LE3	Lithium Standard Emergency 3 Hour
LS3	Lithium Selftest Emergency 3 Hour
LA3	Lithium Autotest Emergency 3 Hour
LSTR	Lithium Reacta-Link Emergency 3 Hour
CB	Central Battery, Please specify 50v, 110v or 230v when ordering

*Not available on 1000mm variants

MISCELLANEOUS

Code	Description
C**	Select Colour Temperature and Rendering; C83, C84, C85, C865, C93, C94
6TW	6 Pole 1.5mm ² Wiring Loom c/w Male/Female Connectors
MLN 4P 5M START	4 Pole 5m 2.5mm ² Starter Lead
MLN 6P 5M START	6 Pole 5m 2.5mm ² Starter Lead
MLN 9P 5M START	9 Pole 5m 2.5mm ² Starter Lead
MLN 5M SUSP 15KIT	5m Suspension Kit for 15mm Exposed Tee Bar
MLN 5M SUSP 24KIT	5m Suspension Kit for 24mm Exposed Tee Bar
MLN 5M SUSP GPLKIT	5m Suspension Kit for Purlin
MLN JOINING KIT	Multi-Line Joining Kit
MLN ENDCAP KIT	Pair of Finishing Endcaps