



PRODUCT SPECIFICATION

IN-LINE



INTRODUCTION

The In-Line is a continuous run LED lighting system that has been designed for retailers that are looking to illuminate their space as discreetly and simply as possible. Manufactured from robust formed steel the sleek 3m long sections are joined via integrated splice brackets which help to maintain system rigidity and alignment. Designed for rapid installation each section is supplied fully assembled out the box with a pre-fitted wiring loom for quick electrical connection. The injection moulded custom lens optic directs the light to where it is needed whilst the soft sparkle from the visible LED's create an enchanting atmosphere for your customers to explore. Available in a range of lumen outputs this cost effective system offers excellent efficiency with complete optical control.

- CE
- IP20
- L90 / 60K OPERATING HOURS
- 3 STEP MACADAM ELLIPSE

APPLICATION

- Retail

SPECIFICATION

CONSTRUCTION

- Housing constructed from 0.6mm pre-coat steel
- Injection moulded high transmission polycarbonate lens optics
- Injection moulded polycarbonate end caps

PERFORMANCE

- Available in a wide range of lumen outputs
- LOR up to 90%

CONTROL

- H High frequency analogue dimming 1-10v
- S Switch dimming
- D Digital dimming
- A Digital addressable lighting interface

EMERGENCY

- Integral three hour standard maintained, self-test or auto-test

INSTALLATION

- 4 or 6 pole 1.5mm² double insulated male/female wiring looms
- Quick electrical connection with plug and socket system
- Luminaires supplied fully assembled with lens optics and wiring loom for rapid installation
- Wide range of suspension kits to suit any application
- This system is not suitable for mounting directly to the ceiling, it must be suspended

VARIATIONS

- Clear or Opal lens optics

IMAGES

PRODUCT IMAGES



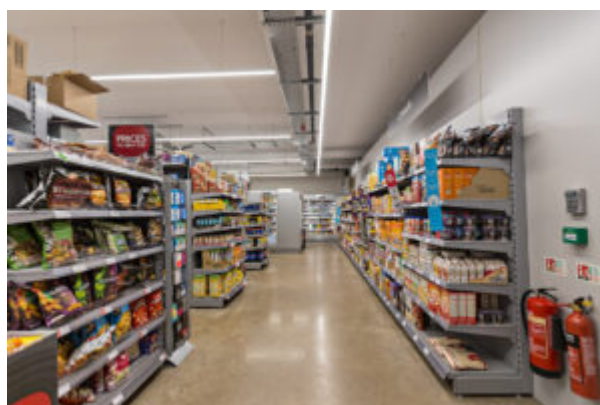
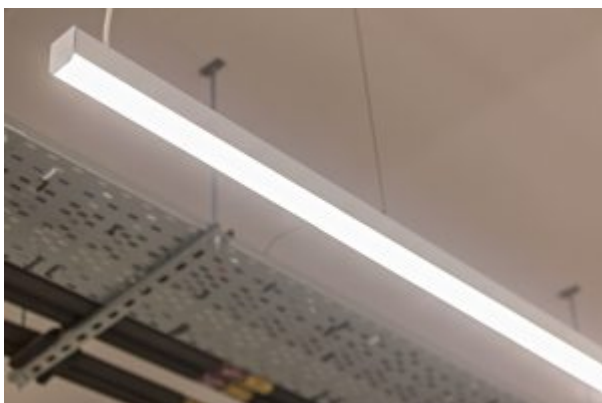
In-Line Opal



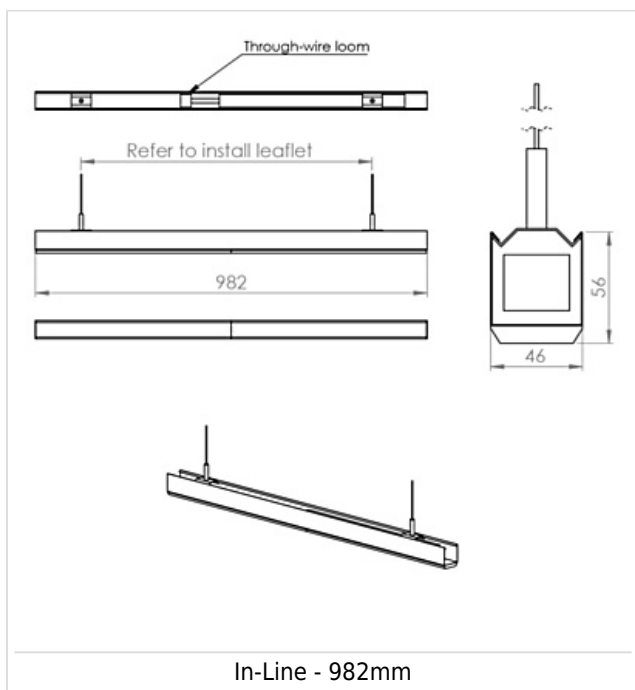
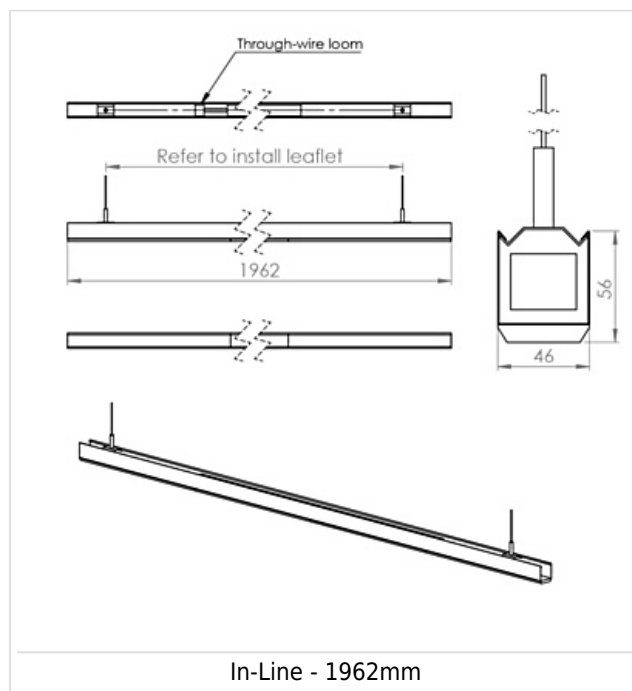
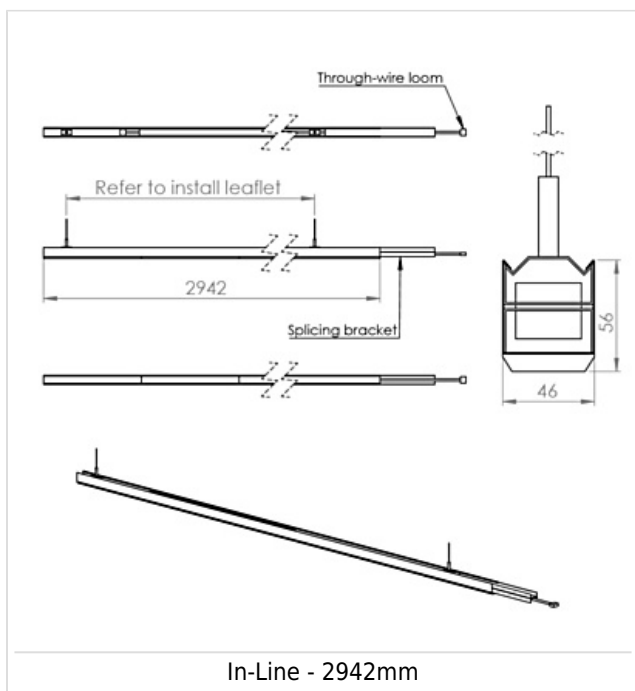
In-Line Clear

In-Line Clear in continuous run

PROJECT IMAGES



TECHNICAL



WARRANTY

At Dextra our commitment to service has been at the forefront throughout our history spanning more than forty years in the UK lighting market. Our service ethos extends beyond design and delivery, we believe supporting your installation throughout the warranty period is equally crucial, whilst the strength and longevity of Dextra Group provides peace of mind that our warranty will be supported throughout.

The Dextra range is supplied with a five year warranty commencing from the date of delivery. During the first three years

defects will be repaired on site and the warranty will include both parts and labour. For the final two years drivers, emergency modules, wireless modules, sensors and LED circuits will be supplied free of charge to replace defective components, labour and other associated costs are not included.

Certain ranges and components are subject to exemptions:

- Lithium batteries are provided with a three year warranty for parts and labour. Nickel Metal Hydride and Nickel Cadmium batteries are provided with a one year warranty for parts and labour.
- Emergency luminaires including AME LED, EXI LED, EXI2 LED, EXI Track, HBE LED, HBE2 LED, OAT2 LED, OEZ LED and Twinspot with Nickel Metal Hydride batteries are supplied with a one year warranty for parts and labour. Lithium variants of these ranges are supplied with a three year warranty for parts and labour with the exception of the AME2, EXI3, HBE3 and TWS IP65 L7 ranges which are supplied with a one year parts and labour warranty.
- Protec Micro, 7W Fire Rated Downlights and Serenus are provided with a five year replacement luminaire only warranty.
- Controls systems such as standalone sensors, switches, marshalling boxes and cabling are provided with a one year warranty for both parts and labour. DALI control systems are provided with a two year warranty for both parts and labour.
- LEDextra ranges including Glide Power, Glide Mini, Glide RGBW, Colour Glide, Glide In Ground, Glide Pixel and AluLED ranges are supplied with a three year parts or replacement luminaire only warranty.
- LEDEX ranges are supplied with a three year replacement luminaire only warranty.

All warranties are subject to correct use of the product and will be invalidated by misuse, for example incorrect installation, unsuitable environmental conditions or incorrect maintenance. It is the duty of the customer to ensure that all the fault lies with the luminaire prior to requesting replacement parts or site repairs. In the event that no defect is found with the product our costs for attending site will be recharged to the customer and credit will not be issued against returned products. No consequential losses incurred resulting from any defect with our product will be reimbursed.

Given the nature of LED technology a small percentage of LEDs may fail during the lifetime of a luminaire, this does not cause a reduction in lumen output. As such LED luminaires are only deemed to be faulty for warranty purposes when in excess of ten percent of LEDs have failed in a single luminaire

On site repair of products under warranty will be undertaken during normal working hours, 9am to 5pm Monday to Friday, and will require unrestricted access to luminaires. Where required Dextra will provide access equipment to carry out repairs at height, should luminaires have been installed in locations where reasonable provision for maintenance access has not been made we reserve the right to supply replacement product only.

If you require any assistance with regards to our products please contact our Customer Services department on 01747 858100.

[DOWNLOAD WARRANTY PDF](#)

ORDER CODES

LUMINAIRES CODES

Code	Description	Circuit Wattage	Llm/W
ILN 1L30 4ER CL	In-Line, 2685lIm C84, 1000mm, Clear Lens Optic, 4 Pole EOR Loom	18.2W	147.5
ILN 1L30 4ER OA	In-Line, 2568lIm C84, 1000mm, Opal Lens Optic, 4 Pole EOR Loom	18.2W	141

ILN 1L40 4ER OA	In-Line, 3426lm C84, 1000mm, Opal Lens Optic, 4 Pole EOR Loom	25.6W	133.8
ILN 1L40 4ER CL	In-Line, 3580lm C84, 1000mm, Clear Lens Optic, 4 Pole EOR Loom	25.6W	139.8
ILN 2L60 4ER CL	In-Line, 5370lm C84, 2000mm, Clear Lens Optic, 4 Pole EOR Loom	34.1W	157.4
ILN 2L60 4ER OA	In-Line, 5136lm C84, 2000mm, Opal Lens Optic, 4 Pole EOR Loom	34.1W	150.6
ILN 2L80 4ER OA	In-Line, 6848lm C84, 2000mm, Opal Lens Optic, 4 Pole EOR Loom	47.8W	143.2
ILN 2L80 4ER CL	In-Line, 7160lm C84, 2000mm, Clear Lens Optic, 4 Pole EOR Loom	47.8W	149.5
ILN 3L90 4TW CL	In-Line, 8055lm C84, 3000mm, Clear Lens Optic, 4 Pole Loom	50.1W	160.5
ILN 3L90 4TW OA	In-Line, 7704lm C84, 3000mm, Opal Lens Optic, 4 Pole Loom	50.1W	153.7
ILN 3L120 4TW OA	In-Line, 10,272lm C84, 3000mm, Opal Lens Optic, 4 Pole Loom	70.9W	144.8
ILN 3L120 4TW CL	In-Line, 10,740lm C84, 3000mm, Clear Lens Optic, 4 Pole Loom	70.9W	151.4

DIMMING OPTIONS

Code	Description
H	High Frequency Analogue Dimming 1-10v
S	Switch Dimming
D	Digital Dimming
A	Digital addressable lighting interface

EMERGENCY

Code	Description
LE3	Lithium Emergency 3 Hour
LS3	Lithium Selftest
LA3	Lithium Autotest
LSTR	Lithium Emergency Reacta-Link
CB	Please specify 50v, 110v or 230v when ordering

* Not available on 1000mm variants

MISCELLANEOUS

Code	Description
6TW	6 Pole 1.5mm ² Wiring Loom c/w Male/Female Connectors
ILN 4P 5M START	4 Pole 5m Starter Lead
ILN 6P 5M START	6 Pole 5m Starter Lead
ILN 5M SUSP 15KIT	5m Suspension Kit for 15mm Exposed Tee Bar
ILN 5M SUSP 24KIT	5m Suspension Kit for 24mm Exposed Tee Bar
ILN 5M SUSP GPLKIT	5m Suspension Kit for Purlin
ILN ENDCAP KIT	Pair of Finishing Endcaps