

PRODUCT SPECIFICATION

VERTECO LED



INTRODUCTION

The industry leading energy saving lighting solution

The Verteco range has provided our clients across the UK with the premium high level energy saving sensor controlled lighting solution for over 5 years. With approximately 300,000 units supplied to a wide range of blue chip clients the Verteco has a proven history of excellent performance, simple installation, significant energy reduction and rapid return on investment.

The Verteco LED allows us to offer all of the unique features found on the Verteco fluorescent combined with improved energy efficiency and low maintenance. Although commonly used in warehouses and storage facilities the Verteco is suitable for a wide range of industrial and manufacturing applications. The lack of glass, mercury and phosphorous used in fluorescent luminaires also makes the Verteco LED ideal for food production areas and eliminates the need for costly shatterproof lamps and the risk of accidental glass contamination. Whilst many luminaire manufacturers have focused on high power LED lighting solutions for high level LED luminaires the glare resulting from these designs can be problematic for forklift truck drivers and warehouse operatives. The Verteco LED uses an array of mid power chips behind high transmission diffusers to ensure that visual discomfort is minimised whilst maintaining excellent optical control and light output ratio.

Our highly efficient LED lighting array utilises the latest technology. This combination provides a range of lumen outputs and our constant lumen output feature eliminating lumen depreciation of the source over the lifetime of the luminaire further reducing the need for maintenance. All Verteco LED luminaires are available with our bespoke Reacta 14 sensor combining presence detection, daylight regulation and remote control programming providing simple commissioning of luminaires and accurate control at heights of 4-18M. All Verteco luminaires are supplied with 5 year warranty providing peace of mind that your installation will operate effectively above and beyond the payback period.

- CE
- IP20

- L90 / 60K OPERATING HOURS
- 3 STEP MACADAM ELLIPSE

APPLICATION

- Food/Clean Area
- Industrial/Manufacturing
- Retail
- Specialist Applications
- Transport
- Warehouse/Storage

SPECIFICATION

CONSTRUCTION

- Robust, white powder coated steel body.
- Injection moulded green polycarbonate end caps.
- Fully assembled and ready to install, with no requirement for on-site assembly.
- High transmission diffuser minimises glare, ideal for logistics applications.

PERFORMANCE

- Available in open area, ultra high and high rack optics to suit a range of applications.
- LED source provides excellent efficiency, 121 Llm/w
- Long life and low maintenance.
- Constant lumen output eliminates lumen depreciation of the source over lifetime.
- LM80 verified: 90% LED lumen maintenance for 60,000 operating hours.
- Standard Deviation Colour Match – 3 Step Macadam's Ellipse.
- L2 compliant.

CONTROL

- Ground level commissioning and setting adjustment using the REA-AP remote control.
- The Verteco LED is compatible with all three R14 lens types: narrow, wide and ultra wide. See Sensors section for further information.

EMERGENCY

- 3 hour standard maintained, self-test or auto-test.

INSTALLATION

- Unique slide out mounting brackets offer a simple and accessible method of mounting to trunking with no need to

remove the reflector. 20mm brass bushes are supplied as standard.

- The back flap offers simplified access to the rear of the luminaire for hard wiring. Can also be supplied as a “plug and play” version with pre-wired cable.
- Integral sensors in each luminaire eliminate the need for additional wiring, simply use existing live, earth and neutral wiring connection ensuring low cost one for one replacement.
- LED source does not include glass, mercury or phosphorous and is therefore ideal for food production applications.

VARIATIONS

- Use as an emergency luminaire with an integral 3 hour maintained emergency pack.
- Dimming and sensor controlled features are optional extras for additional energy saving and return on investment.

IMAGES

PRODUCT IMAGES



Verteco



Ultra High Rack Verteco

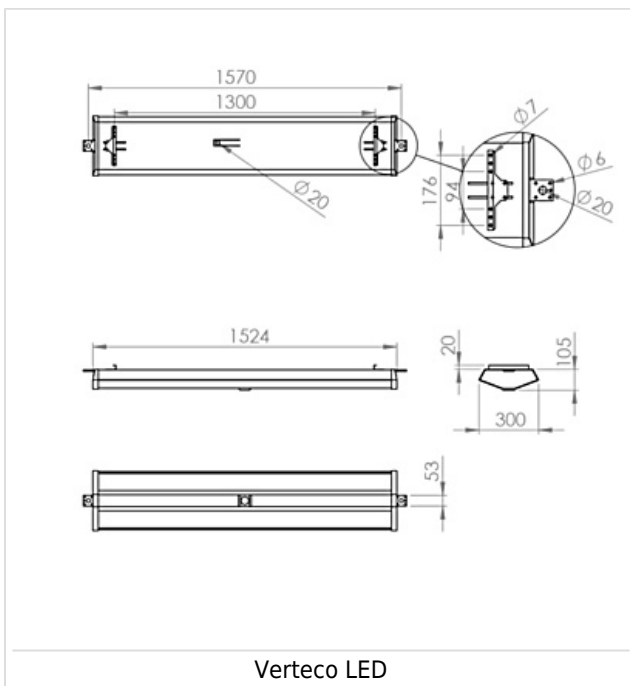


High Rack Verteco

PROJECT IMAGES



TECHNICAL



WARRANTY

At Dextra our commitment to service has been at the forefront throughout our history spanning more than forty years in the UK lighting market. Our service ethos extends beyond design and delivery, we believe supporting your installation throughout the warranty period is equally crucial, whilst the strength and longevity of Dextra Group provides peace of mind that our warranty will be supported throughout.

The Dextra range is supplied with a five year warranty commencing from the date of delivery. During the first three years defects will be repaired on site and the warranty will include both parts and labour. For the final two years drivers, emergency modules, wireless modules, sensors and LED circuits will be supplied free of charge to replace defective components, labour and other associated costs are not included.

Certain ranges and components are subject to exemptions:

- Lithium batteries are provided with a three year warranty for parts and labour. Nickel Metal Hydride and Nickel Cadmium batteries are provided with a one year warranty for parts and labour.
- Emergency luminaires including AME LED, EXI LED, EXI2 LED, EXI Track, HBE LED, HBE2 LED, OAT2 LED, OEZ LED and Twinspot with Nickel Metal Hydride batteries are supplied with a one year warranty for parts and labour. Lithium variants of these ranges are supplied with a three year warranty for parts and labour.
- Protec Micro, Fire Rated Downlights and Serenus are provided with a five year replacement luminaire only warranty.
- Controls systems such as standalone sensors, switches, marshalling boxes and cabling are provided with a one year warranty for both parts and labour. DALI control systems are provided with a two year warranty for both parts and labour.
- LEDextra ranges including Glide Power, Glide Mini, Glide RGBW, Colour Glide, Glide In Ground, Glide Pixel and AluLED ranges are supplied with a three year parts or replacement luminaire only warranty.
- LEDEX ranges are supplied with a three year replacement luminaire only warranty.

All warranties are subject to correct use of the product and will be invalidated by misuse, for example incorrect installation, unsuitable environmental conditions or incorrect maintenance. It is the duty of the customer to ensure that all the fault lies with the luminaire prior to requesting replacement parts or site repairs. In the event that no defect is found with the product our costs for attending site will be recharged to the customer and credit will not be issued against returned products. No consequential losses incurred resulting from any defect with our product will be reimbursed.

Given the nature of LED technology a small percentage of LEDs may fail during the lifetime of a luminaire, this does not cause a reduction in lumen output. As such LED luminaires are only deemed to be faulty for warranty purposes when in excess of ten percent of LEDs have failed in a single luminaire

On site repair of products under warranty will be undertaken during normal working hours, 9am to 5pm Monday to Friday, and will require unrestricted access to luminaires. Where required Dextra will provide access equipment to carry out repairs at height, should luminaires have been installed in locations where reasonable provision for maintenance access has not been made we reserve the right to supply replacement product only.

If you require any assistance with regards to our products please contact our Customer Services department on 01747 858100.

[DOWNLOAD WARRANTY PDF](#)

ORDER CODES

LUMINAIRE CODES

Code	Description	Circuit Wattage	Llm/W
VRT L132 OA	Verteco LED, 9293llm, Open Area, Colour 84	90.2W	103
VRT L160 OA	Verteco LED, 16000 Lumen, Open Area, Colour 84	108.7W	103
VRT L264 OA	Verteco LED, 18,585llm, Open Area, Colour 84	176.2W	105
VRT L320 OA	Verteco LED, 22,528llm, Open Area, Colour 84	217.4W	103
VRT L132 HR	Verteco LED, 10,665llm, High Rack, Colour 84	90.2w	118
VRT L160 HR	Verteco LED, 16000 Lumen, High Rack, Colour 84	108.7W	119
VRT L264 HR	Verteco LED, 21,331llm, High Rack, Colour 84	176.2W	118
VRT L320 HR	Verteco LED, 25,856llm, High Rack, Colour 84	217.4W	116
VRT L132 UHR	Verteco LED, 11,206llm, Ultra High Rack, Colour 84	90.2W	124
VRT L160 UHR	Verteco LED, 16000 Lumen, Ultra High Rack, Colour 84	108.7W	125
VRT L264 UHR	Verteco LED, 22,413llm, Ultra High Rack, Colour 84	176.2W	124
VRT L320 UHR	Verteco LED, 27,168llm, Ultra High Rack, Colour 84	217.4W	121

LIGHTING CONTROL

Code	Description
R18H	Reacta 18, Narrow Lens
R18W	Reacta 18, Wide Lens
R18HRF	Reacta 18, Wireless Version, Narrow Lens
R18WRF	Reacta 18, Wireless Version, Wide Lens
RLI	Dextra Reacta-Link System
RLS	Reacta-Link presence detection sensor

Please click [here](#) for full details on our wireless controls.

EMERGENCY

Code	Description
E3	3 Hour Integral Emergency
ST3	Self Test
AT3	Autotest Emergency
STR	Emergency Reacta-Link
CB	Please specify 50v, 110v or 230v when ordering