



# PRODUCT SPECIFICATION

---

TORRENT



---

## INTRODUCTION

---

Food production areas have always presented a unique challenge for luminaire designers to ensure both effective thermal management in high ambient temperatures and to address the critical issues of cleanliness and IP protection with minimal dirt and dust traps. As a result of these difficulties, options for lighting such arduous applications have been limited and do not always provide optimal energy efficiency and a high quality lit environment for employees. The Torrent offers an LED solution capable of operating in areas with temperatures up to 50°C with an IP65 rating and smooth curved design minimising the risk of dirt accumulating on the luminaire. The Torrent is constructed with die-cast aluminium end caps and extruded aluminium heat sink with high transmission opal diffuser providing a robust construction to give a long life luminaire despite high temperatures and repeated wash-downs.

The LED source not only provides excellent energy efficiency but also eliminates glass and mercury from food environments minimising contamination risk in case of an accident. These benefits are combined with excellent energy efficiency and minimal maintenance ensuring that a quick return on investment can be achieved in most applications. With a wide range of lumen outputs for both 50°C and 25°C ambient temperatures in triple pod variants for high level applications and single pod variants to replace traditional non corrosive style luminaires in lower level applications the Torrent can be tailored to suit the needs of your application whilst offering excellent energy saving against HID and fluorescent luminaires.

- CE
- IP65

---

## APPLICATION

---

- Food/Clean Area
- Industrial/Manufacturing
- Warehouse/Storage

---

## SPECIFICATION

---

### CONSTRUCTION

- Aluminium extruded housing.
- High transmission extruded polycarbonate opal diffuser.
- Die cast aluminium end caps.
- Curved design with no dirt or dust traps for food production applications.
- Single pod variants are available on request for low level applications.

### PERFORMANCE

- 650mm 10,249lm and 1150mm 19,778lm luminaire lumen variant suitable for 25°C ambient temperatures.
- 650mm 5,389lm and 1150mm 14,615lm luminaire lumen variant suitable for 50°C ambient temperatures.

### CONTROL

- Available with DALI dimming.

### INSTALLATION

- Suspended.

---

## IMAGES

---

### PRODUCT IMAGES

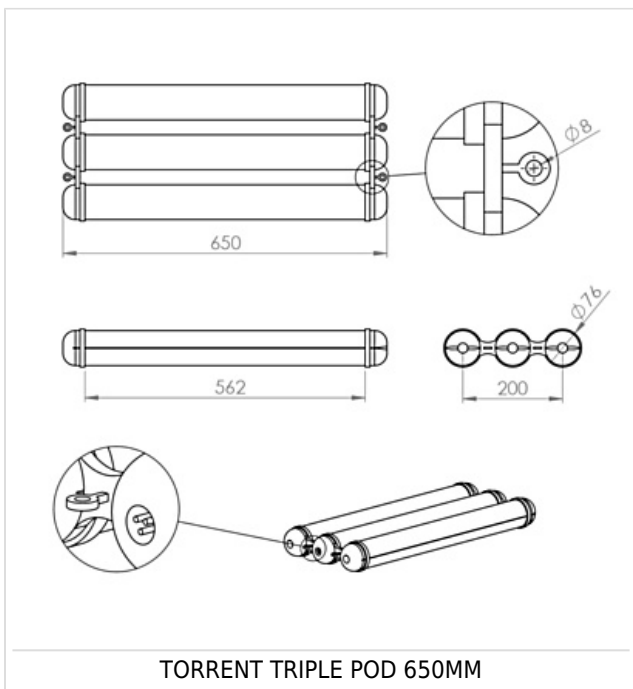
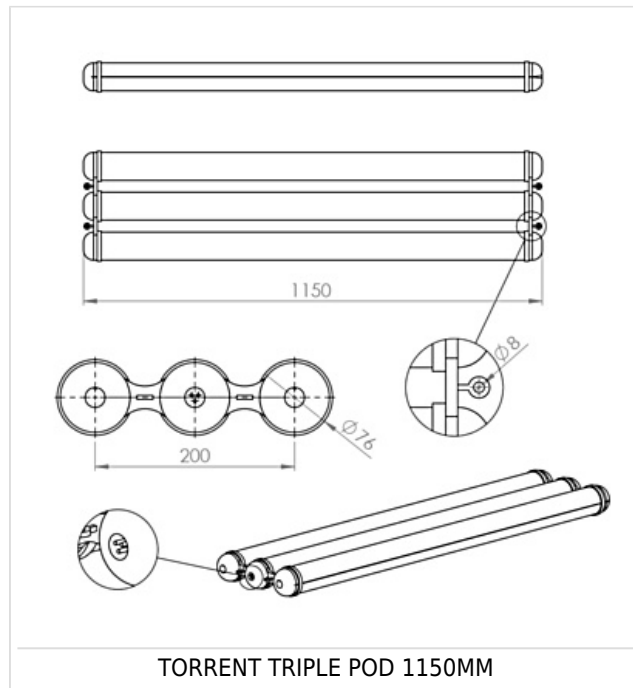
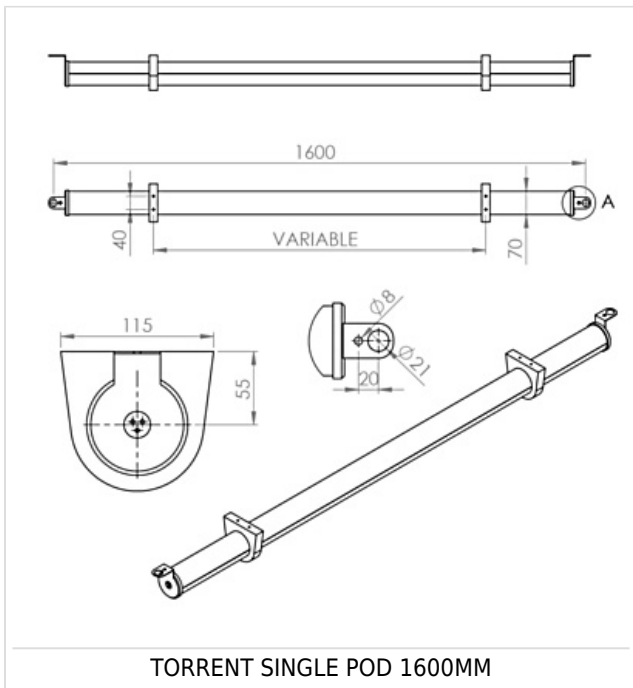


Torrent 3 pod



Torrent

TECHNICAL



## WARRANTY

---

At Dextra our commitment to service has been at the forefront throughout our history spanning more than forty years in the UK lighting market. Our service ethos extends beyond design and delivery, we believe supporting your installation throughout the warranty period is equally crucial, whilst the strength and longevity of Dextra Group provides peace of mind that our warranty will be supported throughout.

The Dextra range is supplied with a five year warranty commencing from the date of delivery. During the first three years defects will be repaired on site and the warranty will include both parts and labour. For the final two years drivers, emergency modules, wireless modules, sensors and LED circuits will be supplied free of charge to replace defective components, labour and other associated costs are not included.

Certain ranges and components are subject to exemptions:

- Lithium batteries are provided with a three year warranty for parts and labour. Nickel Metal Hydride and Nickel Cadmium batteries are provided with a one year warranty for parts and labour.
- Emergency luminaires including AME LED, EXI LED, EXI2 LED, EXI Track, HBE LED, HBE2 LED, OAT2 LED, OEZ LED and Twinspot with Nickel Metal Hydride batteries are supplied with a one year warranty for parts and labour. Lithium variants of these ranges are supplied with a three year warranty for parts and labour with the exception of the AME2, EXI3, HBE3 and TWS IP65 L7 ranges which are supplied with a one year parts and labour warranty.
- Protec Micro, 7W Fire Rated Downlights and Serenus are provided with a five year replacement luminaire only warranty.
- Controls systems such as standalone sensors, switches, marshalling boxes and cabling are provided with a one year warranty for both parts and labour. DALI control systems are provided with a two year warranty for both parts and labour.
- LEDextra ranges including Glide Power, Glide Mini, Glide RGBW, Colour Glide, Glide In Ground, Glide Pixel and AluLED ranges are supplied with a three year parts or replacement luminaire only warranty.
- LEDEX ranges are supplied with a three year replacement luminaire only warranty.

All warranties are subject to correct use of the product and will be invalidated by misuse, for example incorrect installation, unsuitable environmental conditions or incorrect maintenance. It is the duty of the customer to ensure that all the fault lies with the luminaire prior to requesting replacement parts or site repairs. In the event that no defect is found with the product our costs for attending site will be recharged to the customer and credit will not be issued against returned products. No consequential losses incurred resulting from any defect with our product will be reimbursed.

Given the nature of LED technology a small percentage of LEDs may fail during the lifetime of a luminaire, this does not cause a reduction in lumen output. As such LED luminaires are only deemed to be faulty for warranty purposes when in excess of ten percent of LEDs have failed in a single luminaire

On site repair of products under warranty will be undertaken during normal working hours, 9am to 5pm Monday to Friday, and will require unrestricted access to luminaires. Where required Dextra will provide access equipment to carry out repairs at height, should luminaires have been installed in locations where reasonable provision for maintenance access has not been made we reserve the right to supply replacement product only.

If you require any assistance with regards to our products please contact our Customer Services department on 01747 858100.

[DOWNLOAD WARRANTY PDF](#)

## ORDER CODES

## LUMINAIRE CODES

Code	Description	Circuit Wattage	Llm/W
Triple pod 650mm			
TOR L150	Torrent, 650mm, 10,249llm, 25 degree C, Colour 84	124.0W	82
TOR L75	Torrent, 650mm, 5389llm, 50 degree C, Colour 84	58.3W	92
Triple pod 1150mm			
TOR L300	Torrent, 1150mm, 19,778llm, 25 degree C, Colour 84	245.0W	80
TOR L200	Torrent, 1150mm, 14,615llm, 50 degree C, Colour 84	168.3W	86
Single pod 1600mm			
TORS L54	Torrent, 1600mm, 4525llm, Colour 84	35.5W	127
TORS L63	Torrent, 1600mm, 5280llm, Colour 84	40.7W	129
TORS L75	Torrent, 1600mm, 6286llm, 25 degree C, Colour 84	49.5W	126

Supplied with L mounting brackets as standard for trunking installation.

## DIMMING &amp; CONTROL GEAR

Code	Description
A	Digital Addressable Lighting Interface (DALI)

## EMERGENCY

Code	Description
LE3	Lithium Emergency 3 Hour
LS3	Lithium Selftest

All emergency variants are only suitable for ambient temperatures of 25 degree C.