



PRODUCT SPECIFICATION

OPUS COLUMN SENSOR



INTRODUCTION

The Opus Column Sensor is the successor to our highly successful Impervia LED Column range. Incorporating all of the original features of the first generation product that made it such a success we have updated this tried and tested formula to include the latest LED technology and lenses to provide significant efficiency and optical improvements as well as new functionality that simplifies installation.

In addition to improved efficiency the Opus Column Sensor incorporates an adjustable spigot allowing for vertical or horizontal mounting, an optional nema socket and an automatic disconnect feature when accessing the control gear housing, improving the versatility and functionality of the range. The Opus Column is also supplied complete with a prewired 10M lead for quick and simple installation.

Aesthetically this second generation product improves greatly over the previous iteration, however none of the original features have been lost. The Opus Column Sensor incorporates our R11 sensor offering presence detection and a wide range of adjustable parameters such as time delays, dimming levels during absence, dimming rates and optional secondary time delays to turn the luminaire off altogether, all programmed via remote control from ground level. This sensor control combined with excellent energy efficiency allows this product range to offer up to 80% energy saving over traditional HID column top luminaires.

The Opus Column Sensor is available with three different lens options, asymmetric, wide and open area and lumen outputs ranging from 4,000 up to 25,000 ensuring that the Opus Column can be used effectively in a wide range of applications.

- CE
- IP65
- L90 / 60K OPERATING HOURS
- 3 STEP MACADAM ELLIPSE

APPLICATION

- Commercial/Offices
- Education
- Exterior
- Healthcare/Social Housing
- Hotel/Leisure
- Industrial/Manufacturing
- Parking/Exterior
- Retail
- Transport

SPECIFICATION

CONSTRUCTION

- Diecast aluminium IP65 contour housing.
- Injection moulded polycarbonate cover.
- Matt grey weather resistant and salt spray tested paint finish

PERFORMANCE

- A wide range of lumen outputs up to 25,500 lumens, sensor variants have adjustable lumen output after installation.
- Supplied with an asymmetric lens as standard allowing for optimised spacing's between columns, also available with Open Area and Wide lenses.
- L2 compliant.

CONTROL

- Available with integral R11 sensor offering presence detection.
- Adjustable High Time, Low Time and Fade Rate.
- Adjustable high light levels allows light output to be adjusted after installation to meet the exact requirements of the installation preventing the need to install multiple luminaire variants and maximising energy savings.

INSTALLATION

- Adjustable spigot for both horizontal and vertical mounting.
- Available with 40-50mm, 50-60mm and 60-76mm spigot options.
- Supplied complete with 10m prewired cable for ease of installation.
- Sensor variants only require live, earth and neutral connections allowing installation of sensor controls with no modification required to existing wiring minimising installation cost.

IMAGES

PRODUCT IMAGES



Opus Column, Vertical Spigot Orientation



Opus Column, Vertical Spigot Orientation in Black



Opus Column, Vertical Spigot Orientation



Opus Column, Horizontal Spigot Orientation



Opus Column Wall Mount Bracket

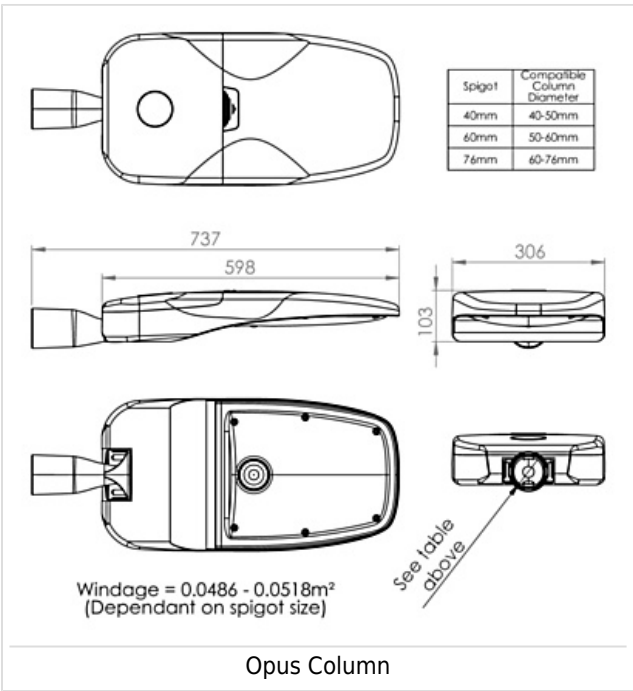


Opus Column with Photocell

PROJECT IMAGES



TECHNICAL



WARRANTY

5 year warranty on LED product ranges is subject to a maximum of 4000 operating hours per year and only applies where failures exceed the component manufacturers expected failure rate and lumen depreciation.

Dextra products are supplied with a 12 month warranty for any defect that may occur with the product during this time. Any defect will either be repaired on site free of charge or the defective product may be replaced on a chargeable basis and credit given against defective product returned. The course of action taken will be at our discretion and dependent on the nature of the defect.

The control gear within our high frequency and LED luminaires is further underwritten by our suppliers for a period of up to 5 years in total from the time of purchase. This comprises labour and parts for the first 3 years and free of charge components only for the final 2 years.

PROTEC LED FR 8W GU10 luminaires and all Emergency LED ranges such as LED 3, EXI, HBE, OAT, OEZ, AME, OEH and TWS * are exempt from the 5 year warranty and are supplied with 1 year warranty only. PROTEC LED COB luminaires are supplied with a three year warranty for replacement luminaires only.

Glide Power, Glide Mini, Glide RGBW, Colour Glide and Glide In Ground ranges are supplied with a three year parts or replacement luminaire only warranty.

All warranties are subject to correct use of the product and will be invalidated by misuse, for example incorrect installation or unsuitable environmental conditions.

It is the duty of the customer to ensure that all relevant tests have been carried out prior to requesting site visits or replacement products, for example replacement of lamps, commissioning of sensors and inspection of external wiring. In the event that no defect is found with the product our costs for attending site will be recharged to the customer and credit will not be issued against returned products.

No consequential losses incurred resulting from any defect with our product will be reimbursed.

Consumable commodities such as lamps, starters and batteries are excluded from these warranty terms. Batteries are supplied with a twelve month warranty only.

5 year warranty on LED product ranges is subject to a maximum of 4000 operating hours per year and only applies where failures exceed the component manufacturers expected failure rate and lumen depreciation.

If you require any assistance with regards to our products please do not hesitate to contact our Customer Services department on 01747 858100.

*The LED4 Emergency LED range is supplied with a three year battery warranty and 5 year luminaire warranty.

ORDER CODES

LUMINAIRE CODES

Code	Description	Circuit Wattage	lIm/W
Asymmetric			
OPUC L44 AS	Opus Column Sensor, 3801lm, Asymmetric, Colour 74	25.5W	149
OPUC L60 AS	Opus Column Sensor, 5175lm, Asymmetric, Colour 74	36.1W	143

OPUC L70 AS	Opus Column Sensor, 6064lIm, Asymmetric, Colour 74	42.4W	143
OPUC L102 AS	Opus Column Sensor, 8495lIm, Asymmetric, Colour 74	70.6W	120
OPUC L133 AS	Opus Column Sensor, 11,439lIm, Asymmetric, Colour 74	95.6W	119

Wide

OPUC L44 W	Opus Column Sensor, 3960lIm, Wide, Colour 74	25.1W	157
OPUC L60 W	Opus Column Sensor, 5400lIm, Wide, Colour 74	33.7W	160
OPUC L70 W	Opus Column Sensor, 6305lIm, Wide, Colour 74	41.1W	153
OPUC L102 W	Opus Column Sensor, 9058lIm, Wide, Colour 74	56.4W	160
OPUC L133 W	Opus Column Sensor, 11,813lIm, Wide, Colour 74	76W	155
OPUC L200 W	Opus Column Sensor, 17,040lIm, Wide, Colour 74	138W	123
OPUC L250 W	Opus Column Sensor, 21,302lIm, Wide, Colour 74	150.7W	141

Open

OPUC L44 OA	Opus Column Sensor, 3802lIm, Open Area, Colour 74	25.1W	151
OPUC L60 OA	Opus Column Sensor, 5184lIm, Open Area, Colour 74	33.7W	153
OPUC L70 OA	Opus Column Sensor, 6046lIm, Open Area, Colour 74	41.1W	147
OPUC L102 OA	Opus Column Sensor, 8721lIm, Open Area, Colour 74	56.4W	154
OPUC L133 OA	Opus Column Sensor, 11,367lIm, Open Area, Colour 74	76W	149
OPUC L200 OA	Opus Column Sensor, 16,540lIm, Open Area, Colour 74	138W	119
OPUC L250 OA	Opus Column Sensor, 20,684lIm, Open Area, Colour 74	150.7W	137

LIGHTING CONTROL

Code	Description
R11	Reacta 11, Wide Sensor
NEM	NEMA Socket
PH	Photocell

INSTALLATION

Code	Description
S40	40-50mm Spigot
S50	50-60mm Spigot
S60	60-76mm Spigot

Please specify spigot size when ordering

OPUC WB	Opus Column Wall Mount Bracket
---------	--------------------------------

Please order luminaire less spigot when purchasing the wall mount bracket option

MISC

Code	Description
BL	Black Body