



PRODUCT SPECIFICATION

ECO IMPERVIA LED



INTRODUCTION

Our Eco Impervia LED range offers a wide range of lumen outputs, diffuser choices and sensor controls to allow this product to be specified in multiple applications. All products in the Eco Impervia LED range incorporate the latest LED technology and control gear providing excellent efficiency and a 5 year warranty (terms and conditions apply, please see our warranty page for full details). LM80 verified to 90% LED lumen maintenance at 60,000 operating hours.

In order to maximise your savings and return on investment these luminaires can be offered with integral microwave sensor or diffuser mounted passive infra-red presence and daylight regulation sensor. The diffuser mounted Reacta 44 brings the additional benefit of simple ground level remote control programming and additional functionality.

All products in the Eco Impervia range are ideally suited to application where protection from dust and water ingress is critical and where the client demands the benefits LED brings of excellent energy efficiency and minimal maintenance.

- CE
- IP65
- L90 / 60K OPERATING HOURS
- 3 STEP MACADAM ELLIPSE

APPLICATION

- Corridor

- Exterior
- Food/Clean Area
- Healthcare/Social Housing
- Hotel/Leisure
- Industrial/Manufacturing
- Parking/Exterior
- Retail
- Stairwell
- Store Room
- Transport
- Warehouse/Storage

SPECIFICATION

CONSTRUCTION

- Glass reinforced polyester housing.
- Polycarbonate diffuser.
- Steel gear tray powder painted white.
- Stainless steel diffuser clips as standard.
- IP65 rated.

PERFORMANCE

- Light output ratio of 90%
- Up to 140 luminaire lumens per circuit watt.
- LM80 verified: 90% LED lumen maintenance at 60,000 operating hours.
- Standard Deviation Colour Match – 3 Step Macadam’s Ellipse.

CONTROL

- Available with a range of integral sensor controls including microwave presence detection or Passive Infra Red sensors offering both presence detection, daylight regulations and remote control programming.

EMERGENCY

- Available with standard, self test and autotest dimming.

INSTALLATION

- Suitable for chain suspension (please specify additional Eye Bolt Kits if required).
- Suitable for trunking mounting via four knock out positions in the rear of the housing.
- Suitable for conduit entry through 20mm apertures in luminaire ends.

IMAGES

PRODUCT IMAGES



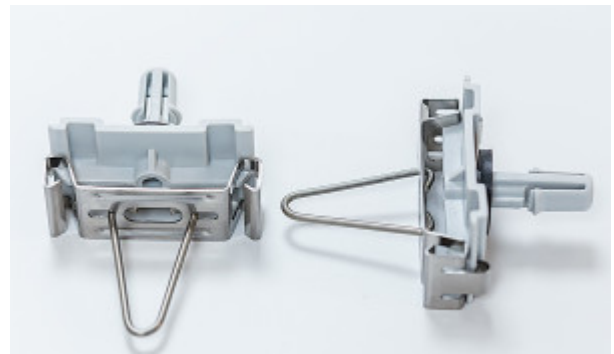
Eco Impervia LED with r44 clear diffuser



Eco Impervia LED single



Eco Impervia LED twin



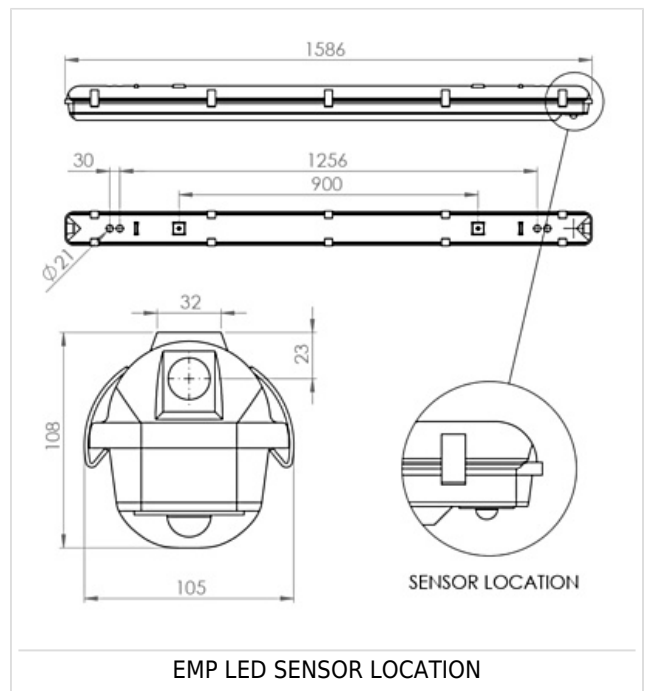
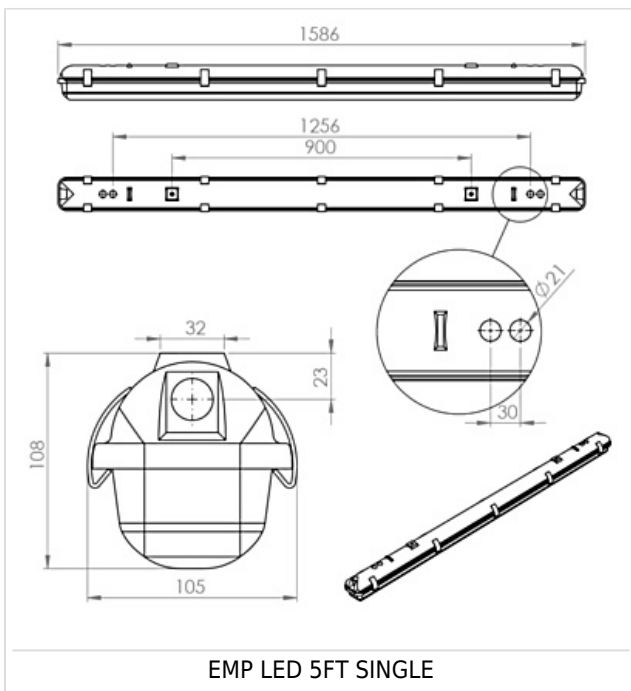
C2243 Hydra Mounting Clip

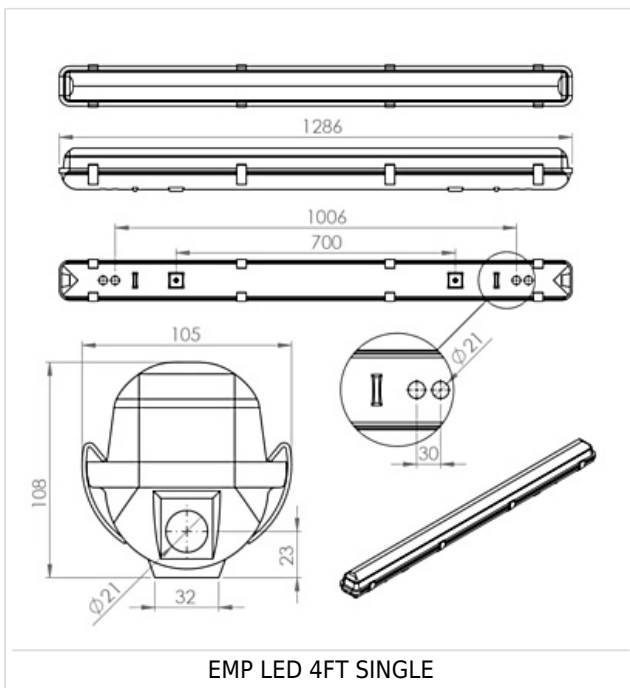
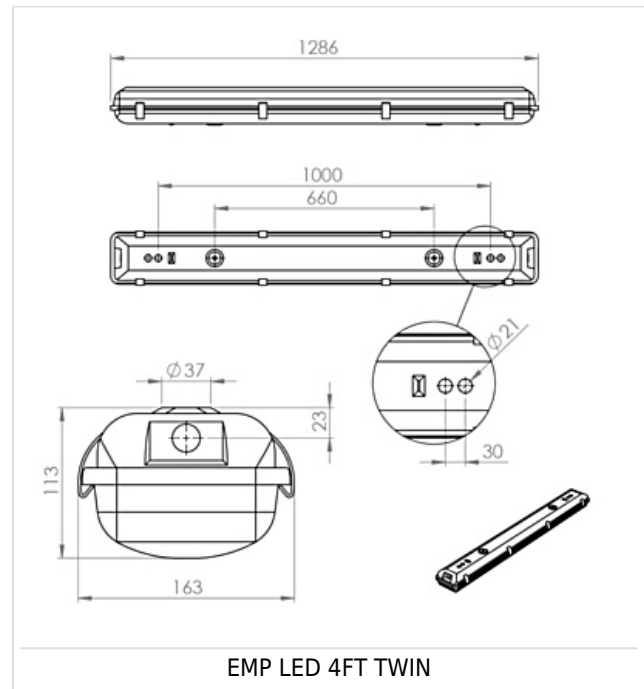
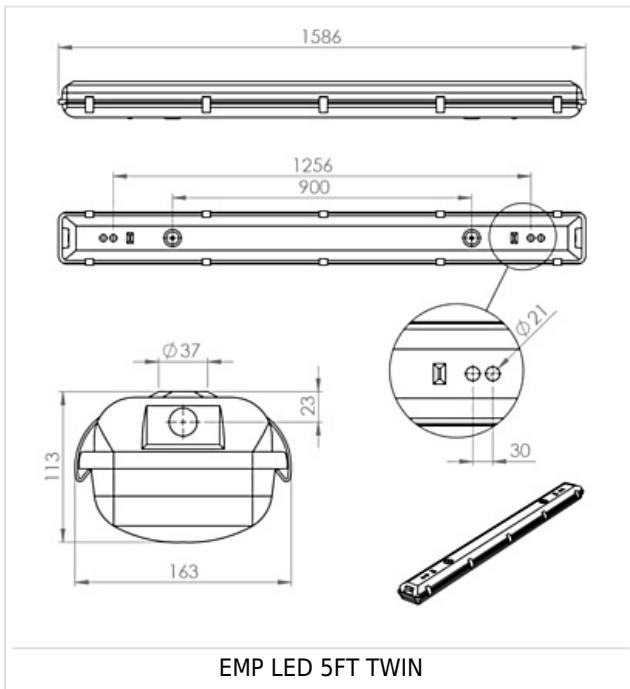
PROJECT IMAGES





TECHNICAL





WARRANTY

At Dextra our commitment to service has been at the forefront throughout our history spanning more than forty years in the UK lighting market. Our service ethos extends beyond design and delivery, we believe supporting your installation throughout the warranty period is equally crucial, whilst the strength and longevity of Dextra Group provides peace of mind that our warranty will be supported throughout.

The Dextra range is supplied with a five year warranty commencing from the date of delivery. During the first three years

defects will be repaired on site and the warranty will include both parts and labour. For the final two years drivers, emergency modules, wireless modules, sensors and LED circuits will be supplied free of charge to replace defective components, labour and other associated costs are not included.

Certain ranges and components are subject to exemptions:

- Lithium batteries are provided with a three year warranty for parts and labour. Nickel Metal Hydride and Nickel Cadmium batteries are provided with a one year warranty for parts and labour.
- Emergency luminaires including AME LED, EXI LED, EXI2 LED, EXI Track, HBE LED, HBE2 LED, OAT2 LED, OEZ LED and Twinspot with Nickel Metal Hydride batteries are supplied with a one year warranty for parts and labour. Lithium variants of these ranges are supplied with a three year warranty for parts and labour.
- Protec Micro, Fire Rated Downlights and Serenus are provided with a five year replacement luminaire only warranty.
- Controls systems such as standalone sensors, switches, marshalling boxes and cabling are provided with a one year warranty for both parts and labour. DALI control systems are provided with a two year warranty for both parts and labour.
- LEDextra ranges including Glide Power, Glide Mini, Glide RGBW, Colour Glide, Glide In Ground, Glide Pixel and AluLED ranges are supplied with a three year parts or replacement luminaire only warranty.
- LEDEX ranges are supplied with a three year replacement luminaire only warranty.

All warranties are subject to correct use of the product and will be invalidated by misuse, for example incorrect installation, unsuitable environmental conditions or incorrect maintenance. It is the duty of the customer to ensure that all the fault lies with the luminaire prior to requesting replacement parts or site repairs. In the event that no defect is found with the product our costs for attending site will be recharged to the customer and credit will not be issued against returned products. No consequential losses incurred resulting from any defect with our product will be reimbursed.

Given the nature of LED technology a small percentage of LEDs may fail during the lifetime of a luminaire, this does not cause a reduction in lumen output. As such LED luminaires are only deemed to be faulty for warranty purposes when in excess of ten percent of LEDs have failed in a single luminaire

On site repair of products under warranty will be undertaken during normal working hours, 9am to 5pm Monday to Friday, and will require unrestricted access to luminaires. Where required Dextra will provide access equipment to carry out repairs at height, should luminaires have been installed in locations where reasonable provision for maintenance access has not been made we reserve the right to supply replacement product only.

If you require any assistance with regards to our products please contact our Customer Services department on 01747 858100.

ORDER CODES

LUMINAIRE CODES

Code	Description	Circuit Wattage	Llm/W
Single Body			
EMP L26 PC 4S	Eco Impervia LED, 1200mm, 2223lm, Opal Diffuser, Colour 84	16.4W	135
EMP L38 PC 4S	Eco Impervia LED, 1200mm, 3249lm, Opal Diffuser, Colour 84	23.4W	139
EMP L35 PC 5S	Eco Impervia LED, 1500mm, 2992lm, Opal Diffuser, Colour 84	21.9W	137
EMP L45 PC 5S	Eco Impervia LED, 1500mm, 3847lm, Opal Diffuser, Colour 84	26.0W	148

EMP L54 PC 5S	Eco Impervia LED, 1500mm, 4617lm, Opal Diffuser, Colour 84	31.7W	146
EMP L63 PC 5S	Eco Impervia LED, 1500mm, 5386lm, Opal Diffuser, Colour 84	37.6W	143
EMP L96 PC 5S	Eco Impervia LED, 1500mm, 8208lm, Opal Diffuser, Colour 84	53W	155

Twin Body

EMP L87 PC 4T	Eco Impervia LED, 1200mm, 7438lm, Opal Diffuser, Colour 84	49.4W	150
---------------	--	-------	-----

OPTIC

Code	Description
CL	Clear Diffuser (option only available with R44 sensor)

DIMMING OPTIONS

Code	Description
H*	High Frequency Dimming (Analogue 1-10v)
S*	Switch Dimming
A*	Digital Addressable Lighting Interface (DALI)
C	Bi-Level Dimming for use with standalone switched sensor

*Minimum dim level of 15%.

LIGHTING CONTROL

Code	Description
R25E	Reacta 25, On / Off High Frequency
R25C*	Reacta 25, Corridor Mode
R25W	Reacta-Wave, Wireless Linked sensor
R44SA	Integral PIR and daylight regulation remote programmable sensor (only available on 1500mm single body versions. REA-AP controller required to programme)
RLI	Dextra Reacta-Link System

Please click [here](#) for full details on our wireless controls.

*Will only dim the luminaire to 10% during absence and brightout, it will not turn the luminaire off.

EMERGENCY

Code	Description
LE3	Lithium Emergency 3 Hour
LS3	Lithium Selftest
LA3	Lithium Autotest
STR	Emergency Reacta-Link
CB230	Central Battery 230v Changeover Module

L22 600mm versions are not available with both DALI and AT3 control gear.

MISCELLANEOUS

Code	Description
TRS	Tamper Resistant Screws
C2243	Hydra Mounting Clip

All luminaires are supplied with 4 clips, screw retained only.