



PRODUCT SPECIFICATION

COLDBAY



INTRODUCTION

For industrial freezers and cold storage units the Coldbay provides an ideal lighting solution where energy efficiency and minimum cost of ownership are paramount. The Coldbay is capable of operating in ambient temperatures of -40 degrees to + 25 degrees centigrade and is supplied with an optional remote gear pack for both mains drivers and emergency components. This allows for quick and simple maintenance of these parts outside the cold storage area whilst also ensuring that the luminaire emits the minimum of heat into the chilled environment. Where freezer construction does not allow for remote gear packs, integral versions are available in non emergency variants.

The Coldbay is supplied with an optional integral sensor providing presence detection without any need to modify the external wiring, only live, neutral and earth connections are required. The R11 sensor is also designed to operate in ambient temperatures as low as -40 degrees centigrade and allows the luminaire to be turned off or dimmed to a low level for safety lighting during periods of absence. Combining the efficiency of LED and integral sensor controls allows energy savings of 80-90% when compared to a traditional HID installation.

The luminaire housing is rated to IP65 and can be offered in a wide range of lumen outputs, three lens optics including open area, high rack and ultra high rack and also with basic, self test or autotest emergency. This range of options allows the luminaire to be configured to suit a range of mounting heights, racking aisles and open areas and ensures that emergency compliance can be achieved without the need for a standalone emergency system.

- CE
- IP65

APPLICATION

- Warehouse/Storage

SPECIFICATION

CONSTRUCTION

- Robust IP65 white powder painted steel housing
- Remote gear housing for both emergency gear and mains drivers ensures that maintenance of these components can be undertaken outside the cold store area and also ensures the luminaire emits minimum heat to the chilled environment. Non emergency versions with integral gear are available if required.
- Lensed optic for optimal distribution of light.

PERFORMANCE

- Available in three lumen outputs with efficiency of 130lm/w
- L2 compliant

CONTROL

- Optional integral R11 sensor offers presence detection at mounting heights up to 16M
- Adjustable sensor settings include fade rate, high time delay, low light level and low time delay.

EMERGENCY

- Available with standard, self test and autotest emergency.

INSTALLATION

- Supplied with zintec mounting bracket for surface mounting.
- Remote gear pack connects with two IP68 connectors for quick replacement of luminaire if required.

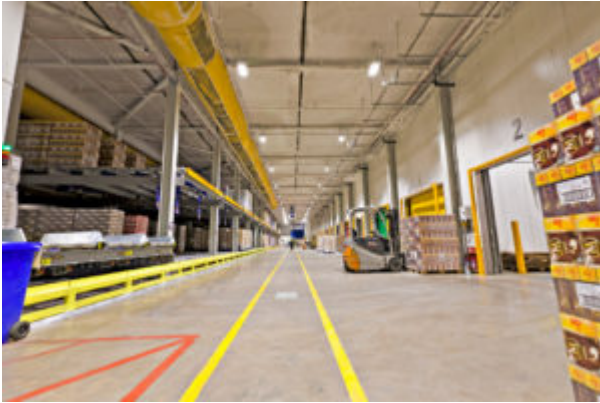
IMAGES

PRODUCT IMAGES

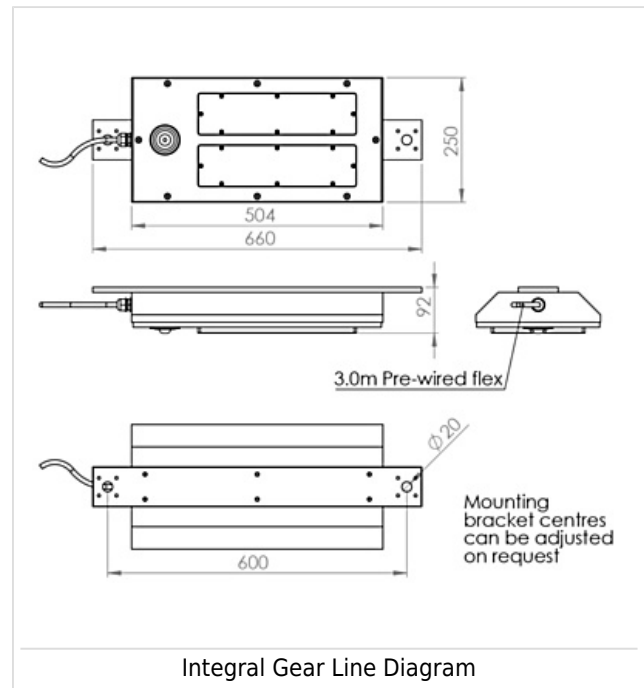
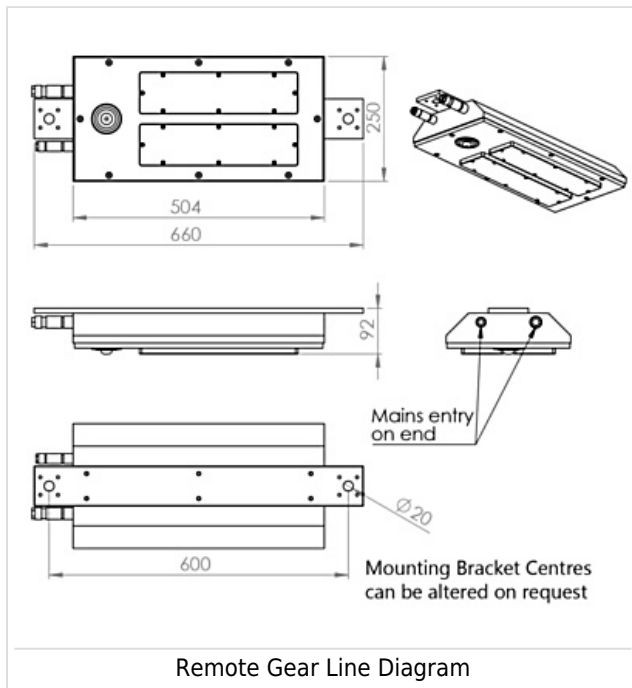


Coldbay

PROJECT IMAGES



TECHNICAL



WARRANTY

At Dextra our commitment to service has been at the forefront throughout our history spanning more than forty years in the UK lighting market. Our service ethos extends beyond design and delivery, we believe supporting your installation throughout the warranty period is equally crucial, whilst the strength and longevity of Dextra Group provides peace of mind

that our warranty will be supported throughout.

The Dextra range is supplied with a five year warranty commencing from the date of delivery. During the first three years defects will be repaired on site and the warranty will include both parts and labour. For the final two years drivers, emergency modules, wireless modules, sensors and LED circuits will be supplied free of charge to replace defective components, labour and other associated costs are not included.

Certain ranges and components are subject to exemptions:

- Lithium batteries are provided with a three year warranty for parts and labour. Nickel Metal Hydride and Nickel Cadmium batteries are provided with a one year warranty for parts and labour.
- Emergency luminaires including AME LED, EXI LED, EXI2 LED, EXI Track, HBE LED, HBE2 LED, OAT2 LED, OEZ LED and Twinspot with Nickel Metal Hydride batteries are supplied with a one year warranty for parts and labour. Lithium variants of these ranges are supplied with a three year warranty for parts and labour.
- Protec Micro, Fire Rated Downlights and Serenus are provided with a five year replacement luminaire only warranty.
- Controls systems such as standalone sensors, switches, marshalling boxes and cabling are provided with a one year warranty for both parts and labour. DALI control systems are provided with a two year warranty for both parts and labour.
- LEDextra ranges including Glide Power, Glide Mini, Glide RGBW, Colour Glide, Glide In Ground, Glide Pixel and AluLED ranges are supplied with a three year parts or replacement luminaire only warranty.
- LEDEX ranges are supplied with a three year replacement luminaire only warranty.

All warranties are subject to correct use of the product and will be invalidated by misuse, for example incorrect installation, unsuitable environmental conditions or incorrect maintenance. It is the duty of the customer to ensure that all the fault lies with the luminaire prior to requesting replacement parts or site repairs. In the event that no defect is found with the product our costs for attending site will be recharged to the customer and credit will not be issued against returned products. No consequential losses incurred resulting from any defect with our product will be reimbursed.

Given the nature of LED technology a small percentage of LEDs may fail during the lifetime of a luminaire, this does not cause a reduction in lumen output. As such LED luminaires are only deemed to be faulty for warranty purposes when in excess of ten percent of LEDs have failed in a single luminaire

On site repair of products under warranty will be undertaken during normal working hours, 9am to 5pm Monday to Friday, and will require unrestricted access to luminaires. Where required Dextra will provide access equipment to carry out repairs at height, should luminaires have been installed in locations where reasonable provision for maintenance access has not been made we reserve the right to supply replacement product only.

If you require any assistance with regards to our products please contact our Customer Services department on 01747 858100.

[DOWNLOAD WARRANTY PDF](#)

ORDER CODES

LUMINAIRE CODES

Code	Description	Circuit Wattage	Lim/W
------	-------------	-----------------	-------

CBLD L200	Coldbay, 18,898lm, Integral Control Gear, Colour 84	138.0W	137
CBLD L160	Coldbay, 14580lm, Integral Control Gear, Colour 84	107W	136
CBLD L133	Coldbay, 12,361lm, Integral Control Gear, Colour 84	87.7W	141
CBLD L102	Coldbay, 9,514lm, Integral Control Gear, Colour 84	66.8W	142
CBLD L200 R	Coldbay, 18,898lm, Remote Control Gear, Colour 84	138.0w	137lm/w
CBLD L160 R	Coldbay, 14580lm, Remote Control Gear, Colour 84	107w	136lm/w
CBLD L133 R	Coldbay, 12,361lm, Remote Control Gear, Colour 84	87.7w	141lm/w
CBLD L102 R	Coldbay, 9,514lm, Remote Control Gear, Colour 84	66.8w	142lm/w

OPTIC

Code	Description
OA	Open Area
HR	High Rack
UHR	Ultra High Rack

LIGHTING CONTROL

Code	Description
R11AW	Reacta 11 Wide Lens
RLI	Dextra Reacta-Link System
RLS	Reacta-Link daylight detection sensor

Please click [here](#) for full details on our wireless controls.

EMERGENCY

Code	Description
RLE3	Remote Lithium 3 Hour Integral Emergency
RLS3	Remote Lithium Self Test Emergency
RLA3	Remote Lithium Auto Test Emergency
LSTR	Lithium Emergency Reacta-Link
CB	Please specify 50v, 110v or 230v when ordering