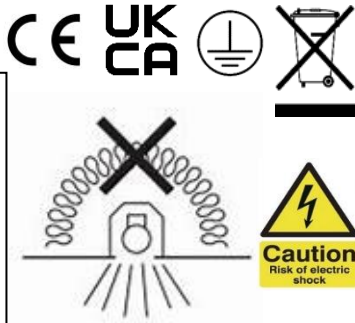


## IMPR Installation

220-240V / 50-60Hz  
IP65



**WARNING:** Luminaire must be earthed. Risk of electric shock from LED boards if operated with cover removed. Installation / operation outside of luminaires intended scope invalidates warranty. Suitable only for domestic / light industrial / industrial applications within the scope of EN55015. Tested to compliance with BSEN 60598: specification for general requirements and tests. Must be installed by a suitably qualified person in accordance with all relevant legislation. Ambient operating temperature of 0°C to 25°C. If maximum operating temperature is exceeded luminaire will automatically dim / switch off. Terminal blocks are rated to 16A unless stated otherwise. The light source contained in this luminaire shall only be replaced by the manufacturer or his service agent or a similar qualified person. **LUMINAIRES WITH EMERGENCY PACK:** When supply is isolated battery output terminals may be live if battery is connected. Isolate mains and battery before servicing. Emergency luminaires require unswitched live connection taken from same phase as switched supply. When unswitched supply is connected status indicator illuminates green, when unswitched supply is disconnected indicator extinguishes and luminaire operates in emergency mode. 24 hour charge period required before undertaking full discharge test. Emergency test sheets provided should be used to record all emergency tests. Batteries should be replaced when 3 hour duration is not met. Excessive switching of permanent live may result in premature battery failure. Battery electrolyte can be harmful to eyes / open wounds, do not produce, if electrolyte touches skin / eyes flush with water. Do not incinerate batteries.

### Terminal Labelling:

<b>Power</b>	
L1	Switched Live
E	Earth
N	Neutral
<b>Emergency</b>	
L2	Unswitched Live
DA/AT3	DALI Autotest
DA/AT3	DALI Autotest
<b>Dimming</b>	
-/D1/DA	Analogue/DSI/DALI
+/D2/DA	Analogue/DSI/DALI
L3	Switch Dim / Corridor Function

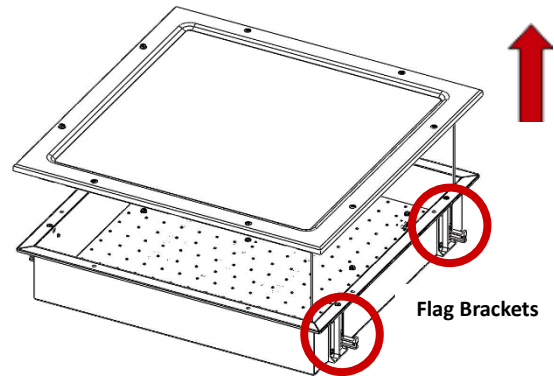
1.

For installation into Burgess Spring Tee, an additional frame and support rails must be used. Order luminaire with the suffix "SP".

Follow steps 12 – 14 when installing the fitting into Spring Tee ceiling. Continue to adjust flag brackets and wire as per main instructions.

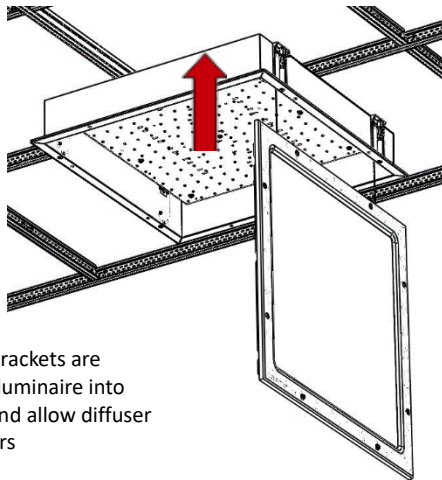
For installation into Plasterboard, please read the Plasterboard considerations on page 3.

2.



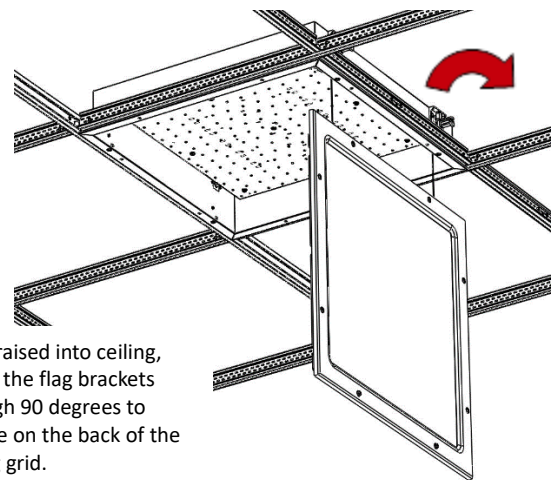
Remove diffuser by loosening each of the 8 retaining screws.

3.



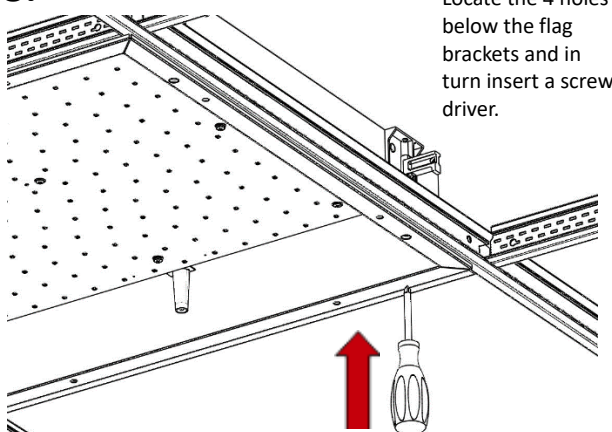
Ensure the flag brackets are folded in. Insert luminaire into the ceiling grid and allow diffuser to hang on tethers

4.



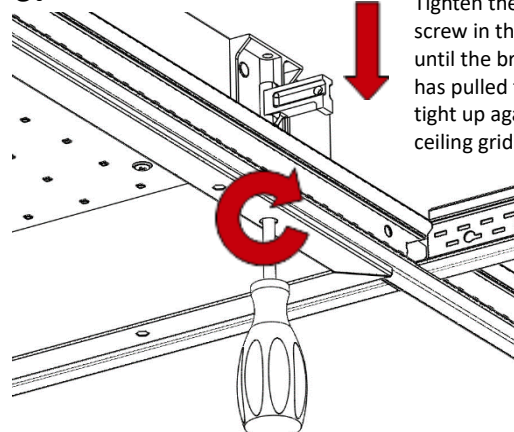
Once raised into ceiling, rotate the flag brackets through 90 degrees to engage on the back of the ceiling grid.

5.



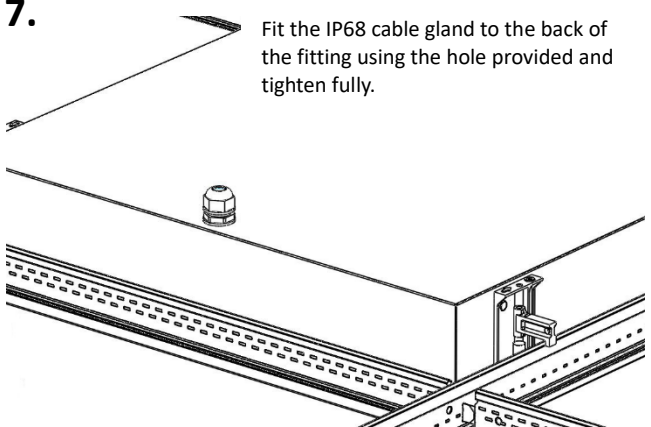
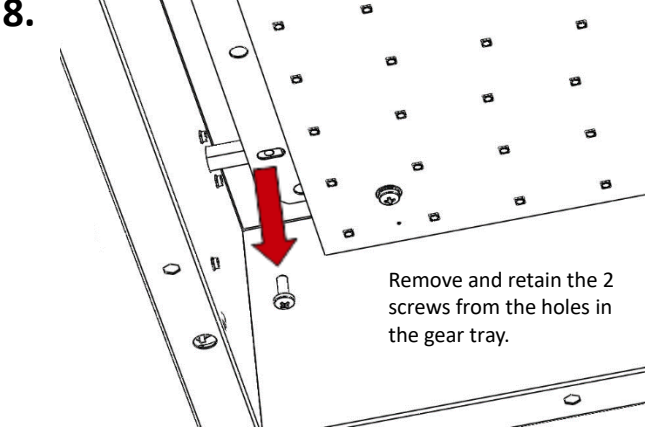
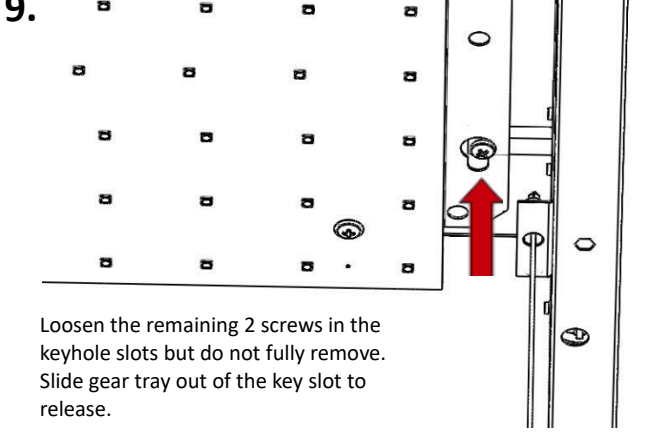
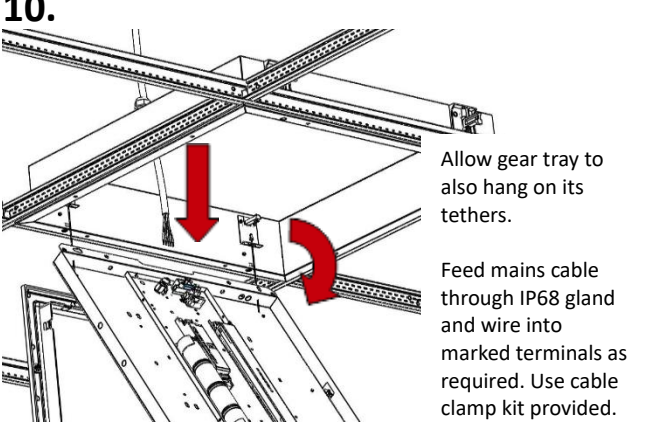
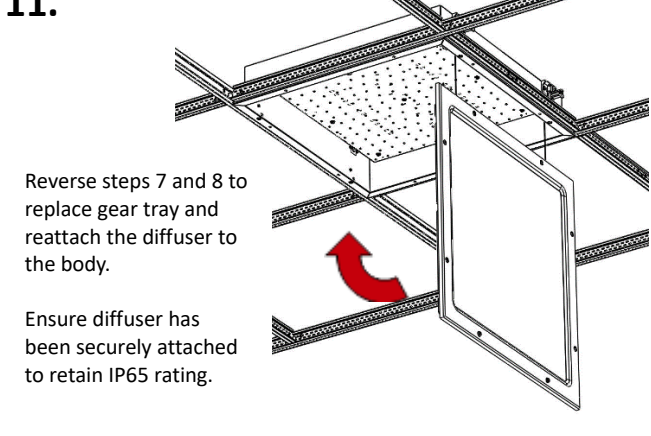
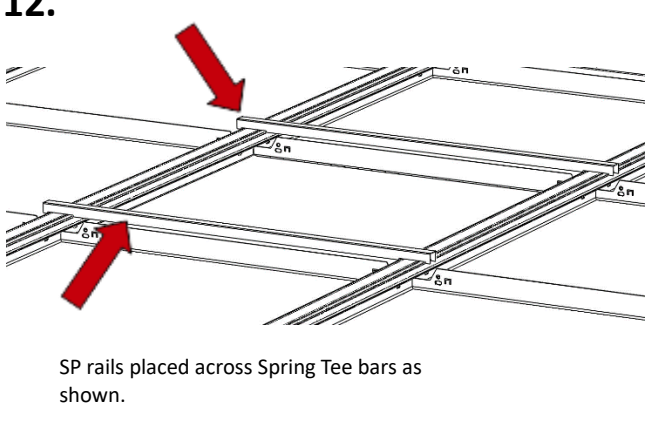
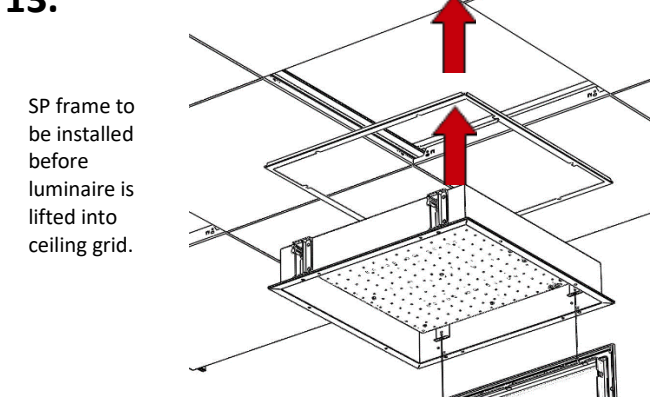
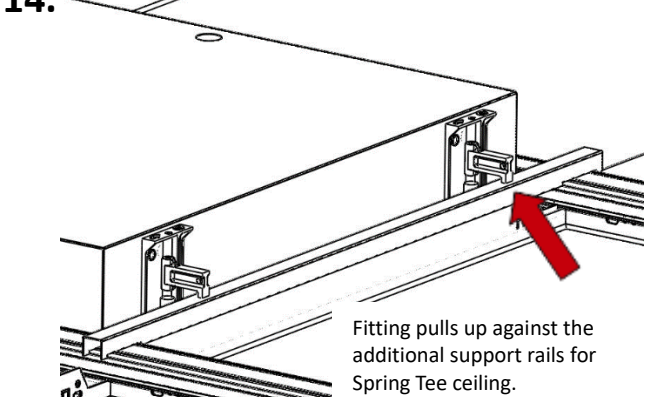
Locate the 4 holes below the flag brackets and in turn insert a screw driver.

6.



Tighten the clamp screw in the bracket until the bracket shown has pulled the fitting tight up against the ceiling grid.

## IMPR Installation

<p><b>7.</b></p>  <p>Fit the IP68 cable gland to the back of the fitting using the hole provided and tighten fully.</p>	<p><b>8.</b></p>  <p>Remove and retain the 2 screws from the holes in the gear tray.</p>
<p><b>9.</b></p>  <p>Loosen the remaining 2 screws in the keyhole slots but do not fully remove. Slide gear tray out of the key slot to release.</p>	<p><b>10.</b></p>  <p>Allow gear tray to also hang on its tethers.</p> <p>Feed mains cable through IP68 gland and wire into marked terminals as required. Use cable clamp kit provided.</p>
<p><b>11.</b></p>  <p>Reverse steps 7 and 8 to replace gear tray and reattach the diffuser to the body.</p> <p>Ensure diffuser has been securely attached to retain IP65 rating.</p>	<p><b>12.</b></p>  <p>SP rails placed across Spring Tee bars as shown.</p>
<p><b>13.</b></p>  <p>SP frame to be installed before luminaire is lifted into ceiling grid.</p>	<p><b>14.</b></p>  <p>Fitting pulls up against the additional support rails for Spring Tee ceiling.</p>

## IMPR Installation

### Plasterboard Considerations

Before installing, ensure the ceiling can support the weight of the luminaire.

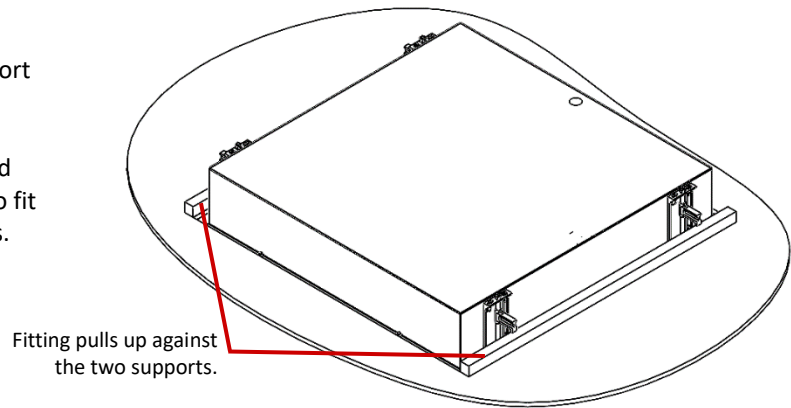
If the luminaire's weight cannot be supported by the ceiling, two supports must be made to fit opposing sides of the plasterboard apertures.

#### Minimum Required Aperture:

575x575mm

1175x575mm

1175x275mm



### Maintenance

- 1 Disconnect luminaire before undertaking before undertaking any maintenance or cleaning.
- 2 Cleaning should be undertaken on external parts of the luminaire only using a slightly damp lint free cloth.
- 3 To remove frame use a pan pozi screwdriver.

