

220-240V / 50-60Hz
IP20



WARNING: Luminaire must be earthed. Risk of electric shock from LED boards if operated with cover removed. Installation / operation outside of luminaires intended scope invalidates warranty. Suitable only for domestic / light industrial / industrial applications within the scope of EN55015. Tested to compliance with BSEN 60598: specification for general requirements and tests. Must be installed by a suitably qualified person in accordance with all relevant legislation. Ambient operating temperature of 0°C to 25°C. If maximum operating temperature is exceeded luminaire will automatically dim / switch off. Terminal blocks are rated to 16A unless stated otherwise. The light source contained in this luminaire shall only be replaced by the manufacturer or his service agent or a similar qualified person. **LUMINAIRES WITH EMERGENCY PACK:** When supply is isolated battery output terminals may be live if battery is connected. Isolate mains and battery before servicing. Emergency luminaires require unswitched live connection taken from same phase as switched supply. When unswitched supply is connected status indicator illuminates green, when unswitched supply is disconnected indicator extinguishes and luminaire operates in emergency mode. 24 hour charge period required before undertaking full discharge test. Emergency test sheets provided should be used to record all emergency tests. Batteries should be replaced when 3 hour duration is not met. Excessive switching of permanent live may result in premature battery failure. Battery electrolyte can be harmful to eyes / open wounds, do not puncture, if electrolyte touches skin / eyes flush with water. Do not incinerate batteries.

Terminal Labelling:

Power

L1 Switched Live
E Earth
N Neutral

Emergency

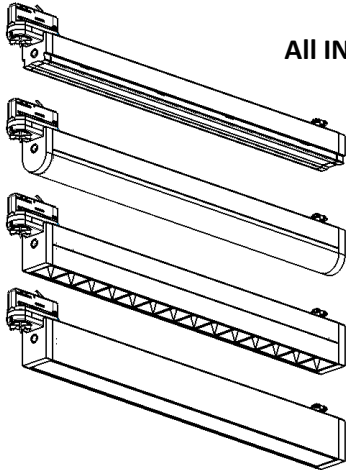
L2 Unswitched Live
DA/AT3 DALI Autotest
DALI Autotest

Dimming

-/D1/DA Analogue/DSI/DALI
+/D2/DA Analogue/DSI/DALI
L3 Switch Dim / Corridor Function



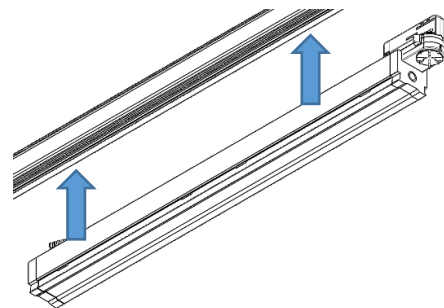
1.



All INE variations:

L
O
C
D

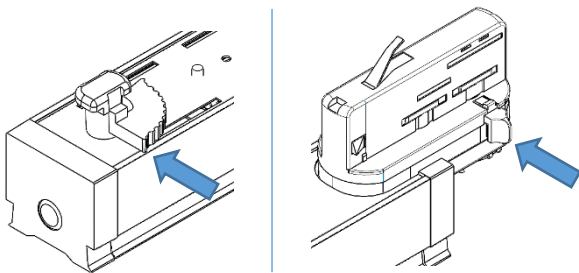
2.



Offer the luminaire up and push into the track.

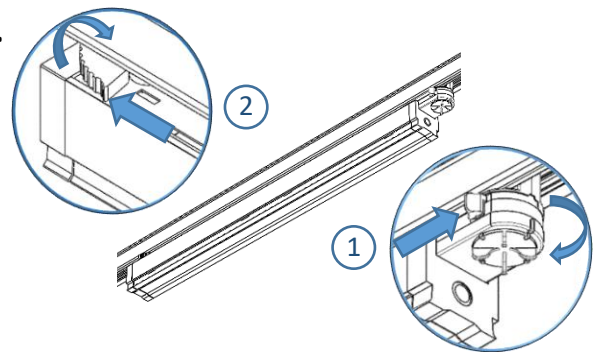
3.

GLOBAL TRACK ONLY:



Ensure the quarter turn is aligned correctly and located on the same side as the locking pin for the track adaptor.

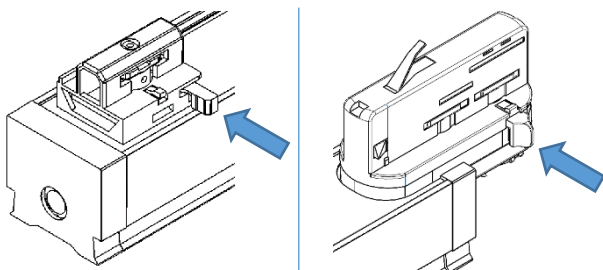
4.



Rotate the lever to lock the track adaptor in place. Rotate the quarter turn by 90 degrees to fully engage.

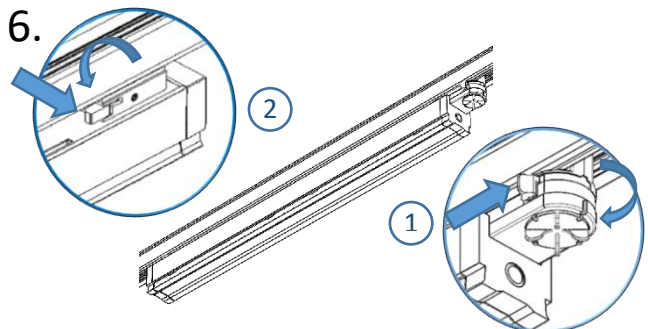
5.

NON-GLOBAL TRACK:



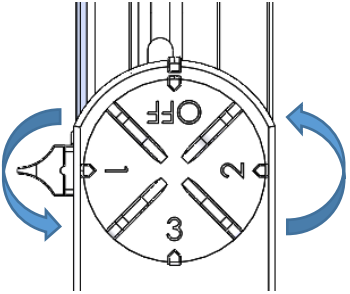
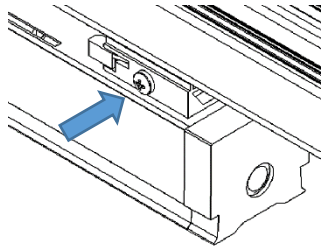
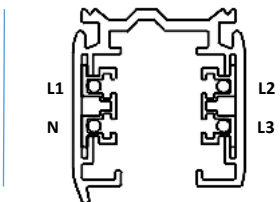
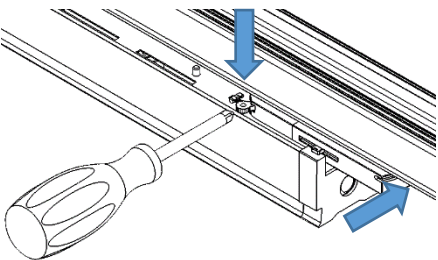
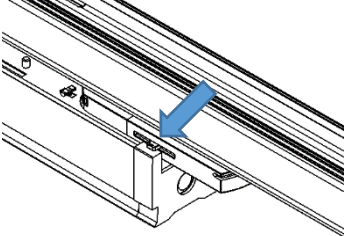
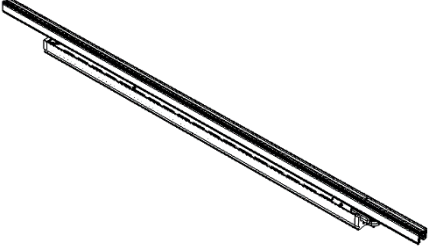
Ensure the mechanical lock is aligned correctly and the lever is located on the same side as the locking pin for the track adaptor.

6.



Rotate the lever to lock the track adaptor in place. Rotate the mechanical lock lever by 90 degrees to fully engage.

Ineal 46 Installation

<p>7.</p>  <p>Rotate to select the desired circuit.</p>	<p>8. EMERGENCY FITTINGS ONLY:</p>  <p>Insert the locking screw into the mechanical lock – this locks the fitting in place so it can't be moved.</p>
<p>9. DALI EMERGENCY ONLY:</p> <p>L1 = Switched Live L2 = Unswitched Live L3 = Not required N = Neutral</p>  <p>When installing a DALI emergency fitting, please ensure the global track is configured as shown.</p>	<p>10.</p>  <p>Rotate the two levers to lock the DALI adaptor. If needed, use a tool to rotate the inner lever.</p>
<p>11.</p>  <p>Adjust the lever to select the desired circuit.</p>	<p>12.</p>  <p>Installation complete.</p>
<p>Moving the luminaire:</p> <p>If the luminaire needs to be moved at any point, ensure the track adaptor is unlocked and the corresponding quarter turn/mechanical lock(s) are disengaged.</p> <p>This will prevent any damage to the luminaire.</p>	<p>Maintenance:</p> <p>Disconnect luminaire before undertaking any maintenance or cleaning.</p> <p>Cleaning should be undertaken on external parts of the luminaire only using a slightly damp lint free cloth.</p> <p>Contact Dextra for assistance with spare component supply.</p>