

Amenity Decorative Secure Installation

220-240V / 50-60Hz

IP65

IK10

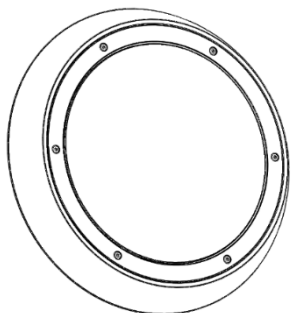


WARNING: Luminaire must be earthed. Risk of electric shock from LED boards if operated with cover removed. Installation / operation outside of luminaires intended scope invalidates warranty. Suitable only for domestic / light industrial / industrial applications within the scope of EN55015. Tested to compliance with BSEN 60598: specification for general requirements and tests. Must be installed by a suitably qualified person in accordance with all relevant legislation. Ambient operating temperature of 0°C to 25°C. If maximum operating temperature is exceeded luminaire will automatically dim / switch off. Terminal blocks are rated to 16A unless stated otherwise. The light source contained in this luminaire shall only be replaced by the manufacturer or his service agent or a similar qualified person. **LUMINAIRES WITH EMERGENCY PACK:** When supply is isolated battery output terminals may be live if battery is connected. Isolate mains and battery before servicing. Emergency luminaires require unswitched live connection taken from same phase as switched supply. When unswitched supply is connected status indicator illuminates green, when unswitched supply is disconnected indicator extinguishes and luminaire operates in emergency mode. 24 hour charge period required before undertaking full discharge test. Emergency test sheets provided should be used to record all emergency tests. Batteries should be replaced when 3 hour duration is not met. Excessive switching of permanent live may result in premature battery failure. Battery electrolyte can be harmful to eyes / open wounds, do not puncture, if electrolyte touches skin / eyes flush with water. Do not incinerate batteries.

Terminal Labelling:

Power	
L1	Switched Live
E	Earth
N	Neutral
Emergency	
L2	Unswitched Live
DA/AT3	DALI Autotest
DA/AT3	DALI Autotest
Dimming	
-/D1/DA	Analogue/DSI/DALI
+/D2/DA	Analogue/DSI/DALI
L3	Switch Dim / Corridor Function

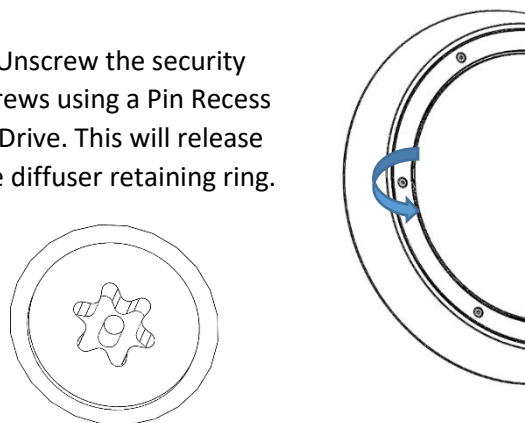
1.



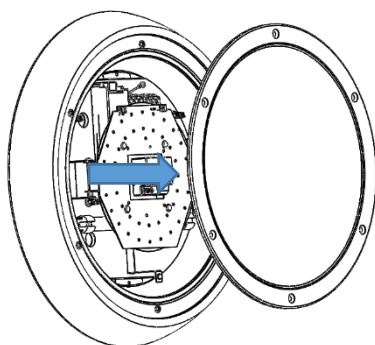
The luminaire is delivered fully assembled, this will need to be opened for installation and electrical termination.

2.

Unscrew the security screws using a Pin Recess T Drive. This will release the diffuser retaining ring.

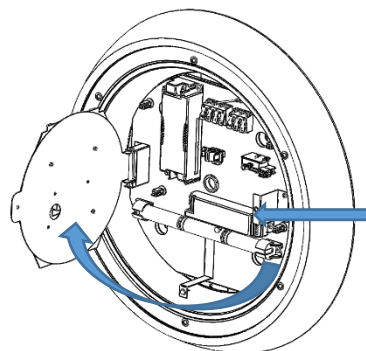


3.



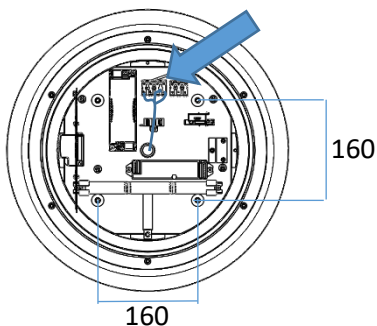
Remove the retaining ring and front diffuser to gain access to the terminal block.

4.



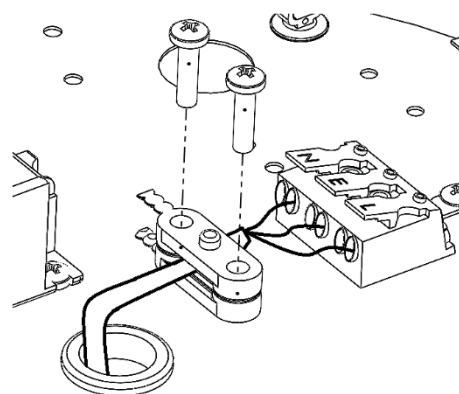
Undo the fixing screw in order to flip the LED board out of the way. This will allow access to the terminal block and fixing holes.

5.



Bring power supply through central grommet and connect it to the terminal block. Then secure the housing to the wall using the 4 fixing points on the back side of the fitting.

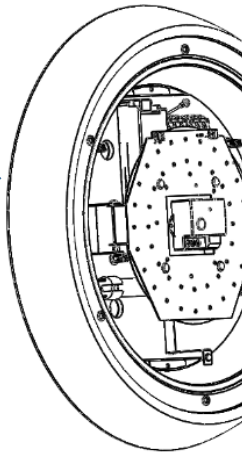
6.



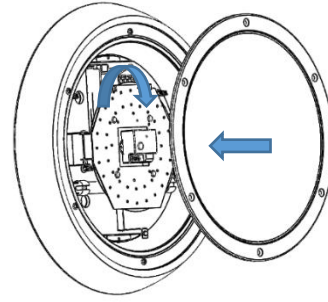
Use cable clamp and screws provided with fitting.

Amenity Decorative Secure Installation

7. Ensure luminaire is flush to the surface and securely mounted to maintain the vandal resistance.

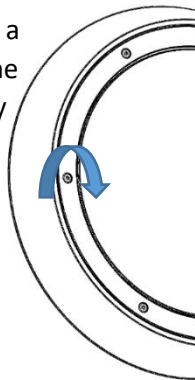
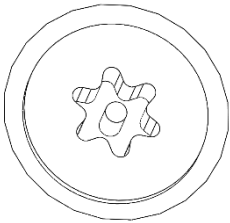


8.

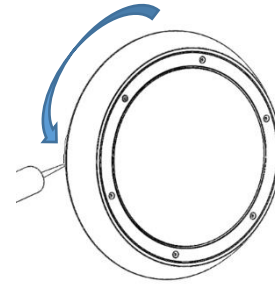


Flip the LED board back and secure in place using the fixing screw. Offer the diffuser and retaining ring up to the housing.

9. Tighten the security screws using a Pin Recess T Drive. Ensure that the screws are tightened completely and that fitting is secure.



10.



Run Anti-Pick Mastic around the profile of luminaire to ensure the fitting is secure. Must be installed with **anti-pick mastic** to meet ligature resistant requirements.

Maintenance

- 1 Disconnect luminaire before undertaking any maintenance or cleaning.
- 2 Cleaning should be undertaken on external parts of the luminaire only using a slightly damp lint free cloth.
- 3 To access fitting use a Pin Recess T Drive to remove all screws from housing.
- 4 Use a pan pozi screwdriver to remove gear tray and components from housing.
- 5 Please contact Dextra for assistance with spare component supply.

