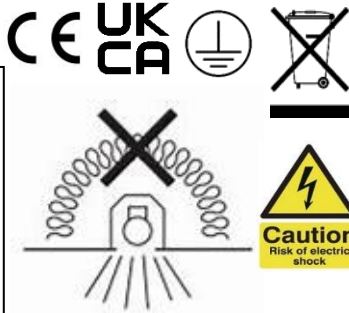


# Rubix Surface Flush Installation

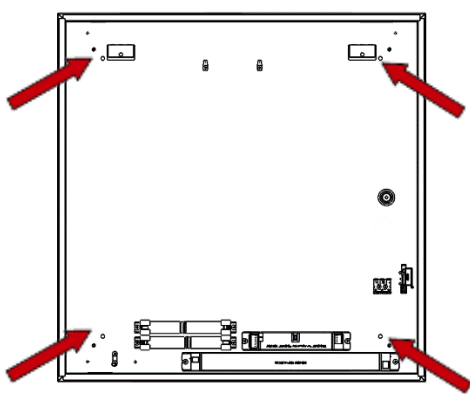
220-240V / 50-60Hz  
IP20



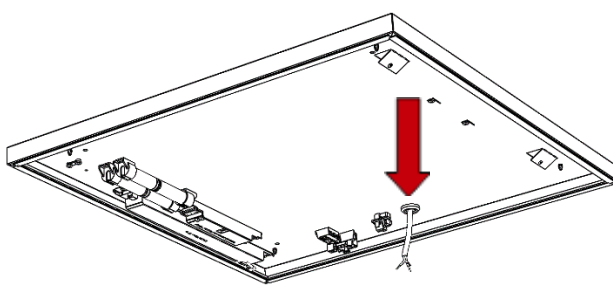
**WARNING:** Luminaire must be earthed. Risk of electric shock from LED boards if operated with cover removed. Installation / operation outside of luminaires intended scope invalidates warranty. Suitable only for domestic / light industrial / industrial applications within the scope of EN55015. Tested to compliance with BSEN 60598: specification for general requirements and tests. Must be installed by a suitably qualified person in accordance with all relevant legislation. Ambient operating temperature of 0°C to 25°C. If maximum operating temperature is exceeded luminaire will automatically dim / switch off. Terminal blocks are rated to 16A unless stated otherwise. The light source contained in this luminaire shall only be replaced by the manufacturer or his service agent or a similar qualified person.

**LUMINAIRES WITH EMERGENCY PACK:** When supply is isolated battery output terminals may be live if battery is connected. Isolate mains and battery before servicing. Emergency luminaires require unswitched live connection taken from same phase as switched supply. When unswitched supply is connected status indicator illuminates green, when unswitched supply is disconnected indicator extinguishes and luminaire operates in emergency mode. 24 hour charge period required before undertaking full discharge test. Emergency test sheets provided should be used to record all emergency tests. Batteries should be replaced when 3 hour duration is not met. Excessive switching of permanent live may result in premature battery failure. Battery electrolyte can be harmful to eyes / open wounds, do not puncture, if electrolyte touches skin / eyes flush with water. Do not incinerate batteries.

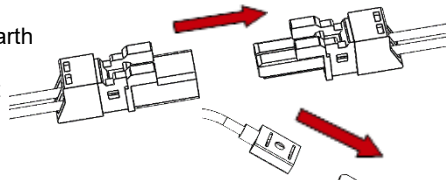
Terminal Labelling:	
<b>Power</b>	
L1	Switched Live
E	Earth
N	Neutral
<b>Emergency</b>	
L2	Unswitched Live
DA/AT3	DALI Autotest
DA/AT3	DALI Autotest
<b>Dimming</b>	
-/D1/DA	Analogue/DSI/DALI
+/D2/DA	Analogue/DSI/DALI
L3	Switch Dim / Corridor Function

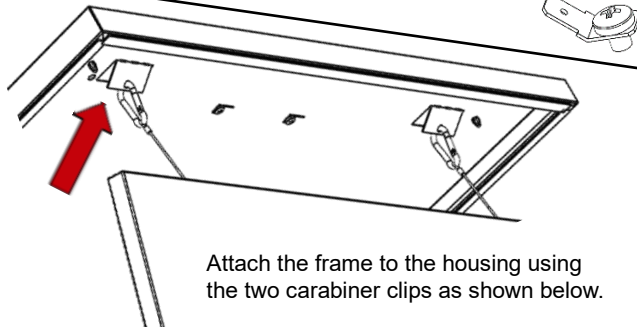
1. 

Secure the housing to ceiling using the four screw holes in each corner. (Screw not supplied)

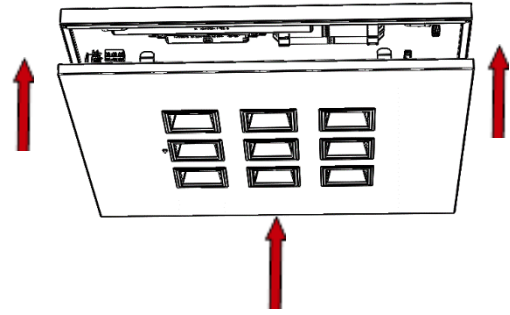
2. 

Feed mains cable through the cable grommet and wire into respective terminals. Use cable clamp kit provided.

3. Attach both earth leads to earth tags. Connect the LED plug and sockets. 



Attach the frame to the housing using the two carabiner clips as shown below.

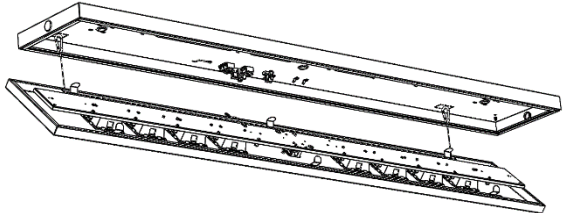
4. 

Re-engage the frame ensuring no cables/ wires are trapped.

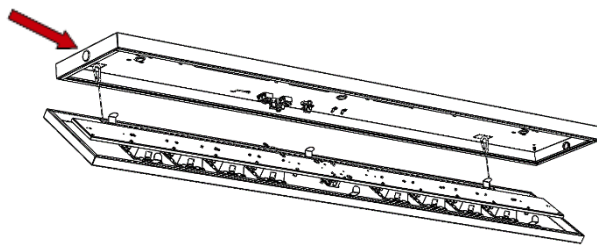
5. The same process applies to all sizes (600x600, 1200x600, 1200x230, and 1500x230).

Where a Sensor variant is used, the sensor lead must be reconnected to the power supply before re-attaching the frame.

Where an Emergency version is used, the E3 indicator LED must be reattached to its clip before re-attaching the frame



6. The caps in the ends of the 1500x230 and 1200x230 fittings can be removed to allow continuous conduit mounting.



## Rubix Surface Flush Installation

### Maintenance

- 1 Disconnect luminaire before undertaking any maintenance or cleaning.
- 2 Cleaning should be undertaken on external parts of the luminaire only using a slightly damp lint free cloth.
- 3 Remove frame by hand. No tools required.
- 4 Use a pan pozi screwdriver to remove LED tray from frame and to remove components.
- 5 Please contact Dextra for assistance with spare component supply.

