

Cornice Installation

220-240V / 50-60Hz

IP40

IK10



WARNING: Luminaire must be earthed. Risk of electric shock from LED boards if operated with cover removed. Installation / operation outside of luminaires intended scope invalidates warranty. Suitable only for domestic / light industrial / industrial applications within the scope of EN55015. Tested to compliance with BSEN 60598: specification for general requirements and tests. Must be installed by a suitably qualified person in accordance with all relevant legislation. Ambient operating temperature of 0°C to 25°C. If maximum operating temperature is exceeded luminaire will automatically dim / switch off. Terminal blocks are rated to 16A unless stated otherwise. The light source contained in this light source shall only be replaced by the manufacturer or his service agent or a similar qualified person. **LUMINAIRES WITH EMERGENCY PACK:** When supply is isolated battery output terminals may be live if battery is connected. Isolate mains and battery before servicing. Emergency luminaires require unswitched live connection taken from same phase as switched supply. When unswitched supply is connected status indicator illuminates green, when unswitched supply is disconnected indicator extinguishes and luminaire operates in emergency mode. 24 hour charge period required before undertaking full discharge test. Emergency test sheets provided should be used to record all emergency tests. Batteries should be replaced when 3 hour duration is not met. Excessive switching of permanent live may result in premature battery failure. Battery electrolyte can be harmful to eyes / open wounds, do not puncture, if electrolyte touches skin / eyes flush with water. Do not incinerate batteries.

Terminal Labelling:

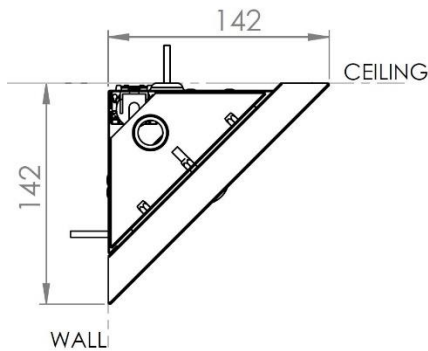
Power

L1 Switched Live
E Earth
N Neutral

Emergency

L2 Unswitched Live
DA/AT3 DALI Autotest
DA/AT3 DALI Autotest
Dimming
-D1/DA Analogue/DSI/DALI
+D2/DA Analogue/DSI/DALI
L3 Switch Dim / Corridor
Function

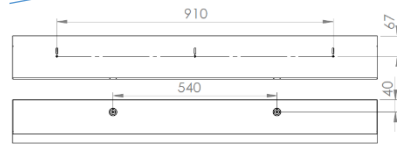
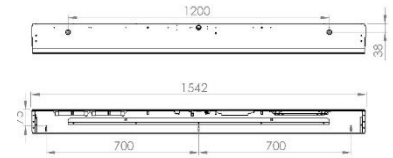
1.



X-section through fitting – note that fitting should be mounted with dimpled fixings to ceiling!

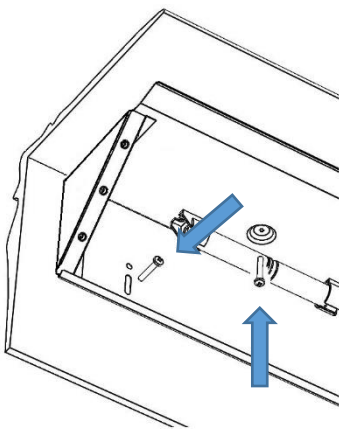
2.

1500 fitting: 2No fixings to ceiling @1200mm centres.....3No fixings on wall @700mm centres...



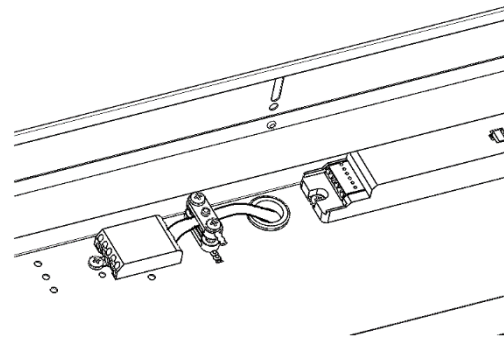
1200 fitting: 2No fixings to ceiling @540mm centres.....3No fixings on wall @455mm centres...

3.



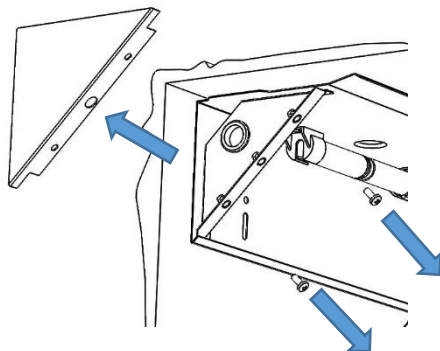
Main housing can be mounted to wall and / or ceiling. It is recommended that it is secured to both.

4.



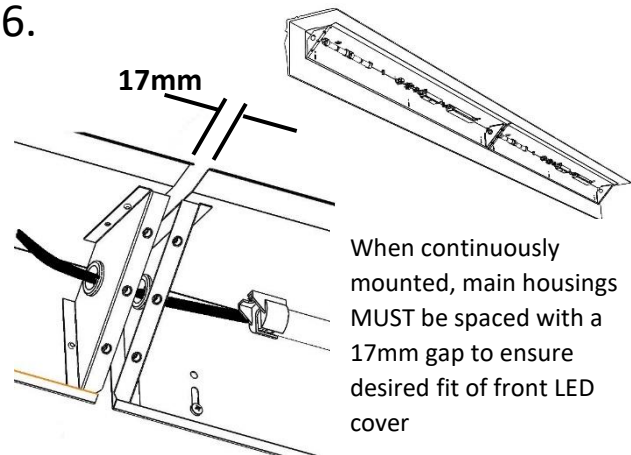
Electrical feed can come through central hole (shown) or through the end plate. Use cable clamp kit provided.

5.



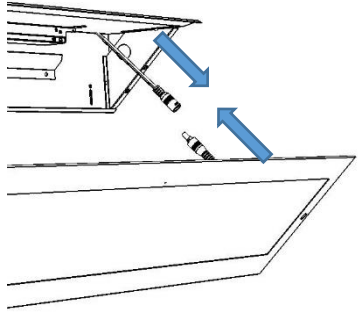
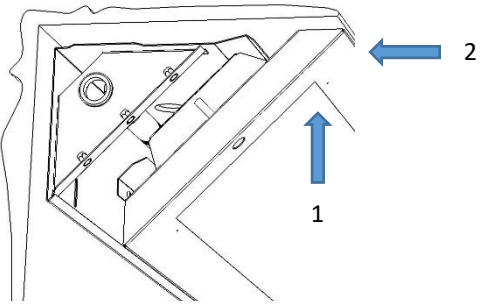
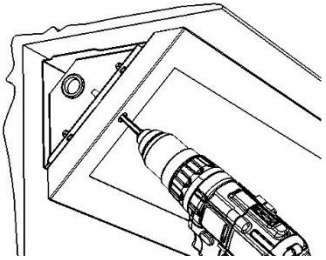
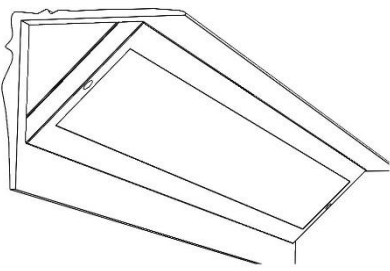
Where fittings are fitted continuously, blanking end covers must be removed (leave in place for start and end of runs)

6.



When continuously mounted, main housings MUST be spaced with a 17mm gap to ensure desired fit of front LED cover

Cornice Installation

<p>7.</p>  <p>When offering up front LED cover, make sure cable is connected between the two sections! Ensure earth lead is also connected to frame!</p>	<p>8.</p>  <p>Cover should be pushed to ceiling first (1) and then forced on to the main housing (2) – this will grip the cover prior to securing with screws</p>
<p>9.</p>  <p>Front LED cover is secured to main housing via the M4 screw at each end – tighten sufficient to ensure contact with both wall and ceiling – do not over-tighten. Fit 10mm white plugs to complete installation</p>	<p>10.</p>  <p>Test for operation</p>
<p>11.</p> <p style="text-align: center;">Sensor versions only</p> <p>When fitted with R25W sensor, it will be necessary to commission luminaire using specific APP – search for MICAS AUTOLIGHT (IOS compatible only)</p>	<p>12.</p>
<p>Maintenance</p> <ol style="list-style-type: none"> 1 Disconnect luminaire before undertaking any maintenance or cleaning. 2 Cleaning should be undertaken on external parts of the luminaire only using a slightly damp lint free cloth. 3 Use a pan pozi screwdriver to remove frame. The frame will come away with LED tray attached. 4 To remove LED tray from frame use a spanner to remove all nuts. 5 To remove components from gear tray use a pan pozi screwdriver. 6 Please contact Dextra for assistance with spare component supply. 