

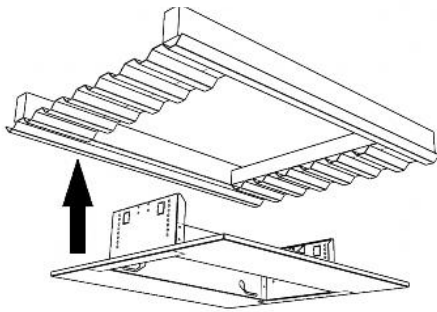
220-240V / 50-60Hz
IP65



WARNING: Luminaire must be earthed. Risk of electric shock from LED boards if operated with cover removed. Installation / operation outside of luminaires intended scope invalidates warranty. Suitable only for domestic / light industrial / industrial applications within the scope of EN55015. Tested to compliance with BSEN 60598: specification for general requirements and tests. Must be installed by a suitably qualified person in accordance with all relevant legislation. Ambient operating temperature of 0°C to 25°C. If maximum operating temperature is exceeded luminaire will automatically dim / switch off. Terminal blocks are rated to 16A unless stated otherwise. The light source contained in this luminaire shall only be replaced by the manufacturer or his service agent or a similar qualified person. **LUMINAIRES WITH EMERGENCY PACK:** When supply is isolated battery output terminals may be live if battery is connected. Isolate mains and battery before servicing. Emergency luminaires require unswitched live connection taken from same phase as switched supply. When unswitched supply is connected status indicator illuminates green, when unswitched supply is disconnected indicator extinguishes and luminaire operates in emergency mode. 24 hour charge period required before undertaking full discharge test. Emergency test sheets provided should be used to record all emergency tests. Batteries should be replaced when 3 hour duration is not met. Excessive switching of permanent live may result in premature battery failure. Battery electrolyte can be harmful to eyes / open wounds, do not puncture, if electrolyte touches skin / eyes flush with water. Do not incinerate batteries.

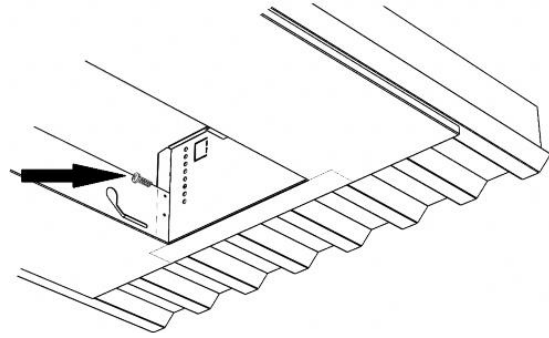
Terminal Labelling:	
Power	
L1	Switched Live
E	Earth
N	Neutral
Emergency	
L2	Unswitched Live
DA/AT3	DALI Autotest
DA/AT3	DALI Autotest
Dimming	
-/D1/DA	Analogue/DSI/DALI
+/D2/DA	Analogue/DSI/DALI
L3	Switch Dim / Corridor Function

1. RECESSED VERSION



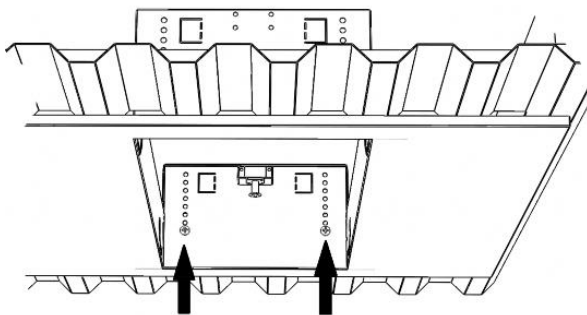
Gently insert frame into aperture in ceiling. The frame should match the dimensions of the ceiling cut out.

2.



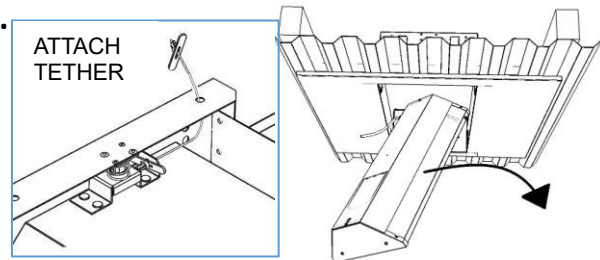
Using suitable screws, secure the frame into the ceiling aperture through the holes most suited. There is a selection of depths available for use when installing.

3.



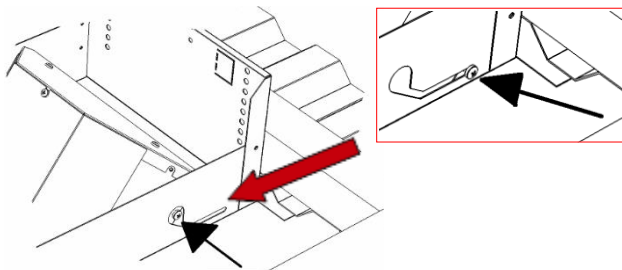
Insert the remaining screws through the selected holes into the ceiling struts.

4.



Using a gentle twisting motion, insert the main body into the frame. The two screws on the body should mate with the two slots in the sides of the frame. **NOTE:** Ensure the mains cable does not become trapped when inserting the main body. **ENSURE SAFETY TETHER IS ATTACHED!**

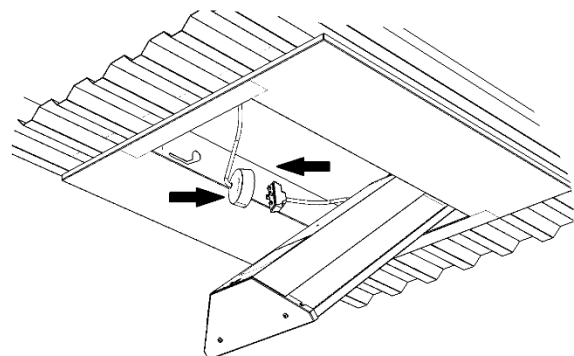
5.



As shown, slide the main body along the slots in the frame until it reaches the end.

These slots should act as pivots for the body.

6.



Make a secure mains connection between the body and the cable in the ceiling. Ensure all excess cabling is stored above the luminaire safely so not to be trapped when closed.

<p>7.</p> <p>Once connected, close the luminaire by pushing the main body up into the frame.</p>	<p>8.</p> <p>A pin latch inside the luminaire will secure the body in the closed position. Ensure the pin latch has been closed properly before moving on. To release the body from the frame, a small push on the pin latch end will release it, and allow it to pivot down.</p>
<p>9.</p>	<p>10.</p> <p>After installation and power is on, use REA-AP hand-held programmer to set PIR parameters</p>
<p>11. SURFACE MOUNTED VERSION</p> <p>Surface housing must be secured to mounting surface using appropriate fixings (not supplied)</p>	<p>12.</p> <p>Luminaire can then be installed as per recessed type 1) Fix in place using x4 M5 wing nuts</p>
<p>13.</p> <p>Ensure all four wing nuts are fully tightened!...IN THIS INSTANCE, SAFETY TETHER MUST BE ATTACHED TO A FREE HOLE IN END PLATE</p>	<p>14.</p> <p>Insert KANOPY luminaire as per 4, 5, and 6 on page 1</p>

Kanopy Installation

Maintenance

- ① Disconnect luminaire before undertaking any maintenance or cleaning.
- ② Cleaning should be undertaken on external parts of the luminaire only using a slightly damp lint free cloth.
- ③ Use a pan pozi screwdriver to remove all screws from front of fitting then remove gear tray.
- ④ Use a pan pozi screwdriver to remove components and LED circuit.
- ⑤ Please contact Dextra for assistance with spare component

