

Runway 600mm Wall Mount Installation

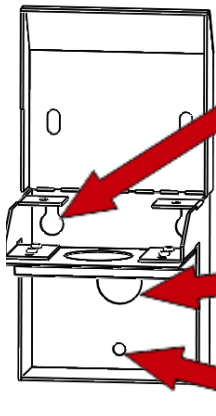
220-240V / 50-60Hz
IP20



WARNING: Luminaire must be earthed. Risk of electric shock from LED boards if operated with cover removed. Installation / operation outside of luminaires intended scope invalidates warranty. Suitable only for domestic / light industrial / industrial applications within the scope of EN55015. Tested to compliance with BSEN 60598: specification for general requirements and tests. Must be installed by a suitably qualified person in accordance with all relevant legislation. Ambient operating temperature of 0°C to 25°C. If maximum operating temperature is exceeded luminaire will automatically dim / switch off. Terminal blocks are rated to 16A unless stated otherwise. The light source contained in this luminaire shall only be replaced by the manufacturer or his service agent or a similar qualified person. **LUMINAIRES WITH EMERGENCY PACK:** When supply is isolated battery output terminals may be live if battery is connected. Isolate mains and battery before servicing. Emergency luminaires require unswitched live connection taken from same phase as switched supply. When unswitched supply is connected status indicator illuminates green, when unswitched supply is disconnected indicator extinguishes and luminaire operates in emergency mode. 24 hour charge period required before undertaking full discharge test. Emergency test sheets provided should be used to record all emergency tests. Batteries should be replaced when 3 hour duration is not met. Excessive switching of permanent live may result in premature battery failure. Battery electrolyte can be harmful to eyes / open wounds, do not puncture, if electrolyte touches skin / eyes flush with water. Do not incinerate batteries.

Terminal Labelling:	
Power	
L1	Switched Live
E	Earth
N	Neutral
Emergency	
L2	Unswitched Live
DA/AT3	DALI Autotest
DA/AT3	DALI Autotest
Dimming	
-D1/DA	Analogue/DSI/DALI
+D2/DA	Analogue/DSI/DALI
L3	Switch Dim / Corridor Function

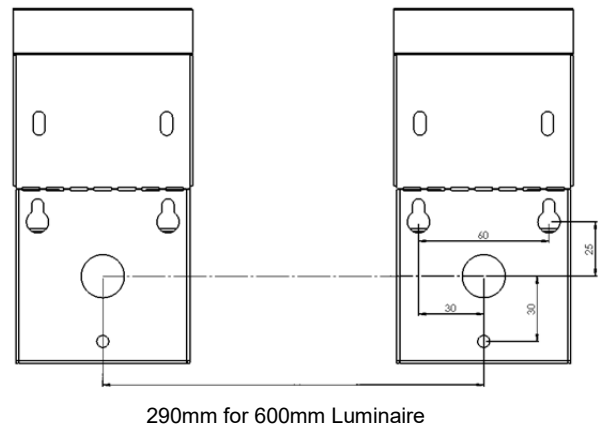
1.



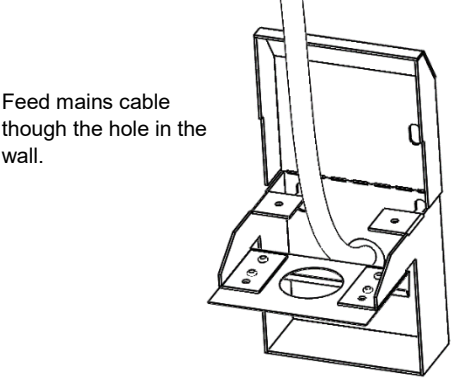
Screw in first to test fit location of bracket and fully tighten once in the correct location.

Drill a hole through the wall as this is where the mains wire will come through

Screw in last to secure into place



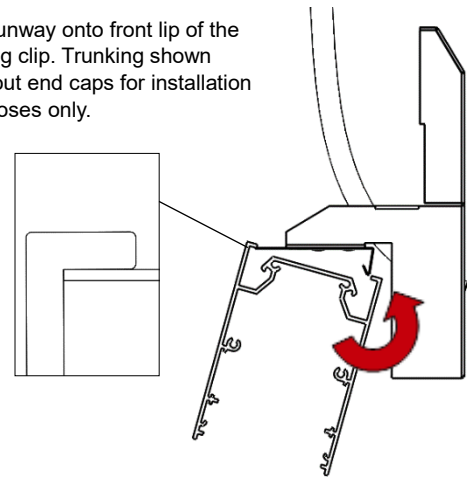
2.



Feed mains cable through the hole in the wall.

3.

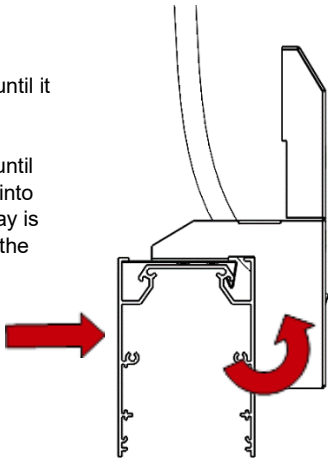
Tilt runway onto front lip of the spring clip. Trunking shown without end caps for installation purposes only.



4.

Tilt the rest of the way until it clips over the spring.

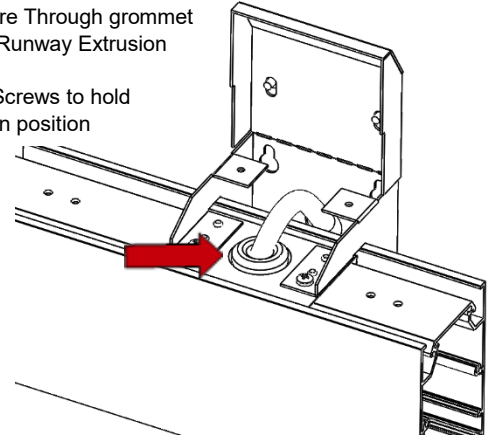
Push towards the wall until you hear or feel it click into place. Make sure runway is on top of the spring on the front face.



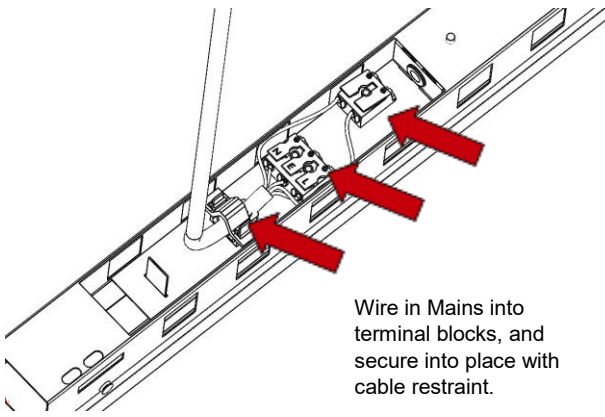
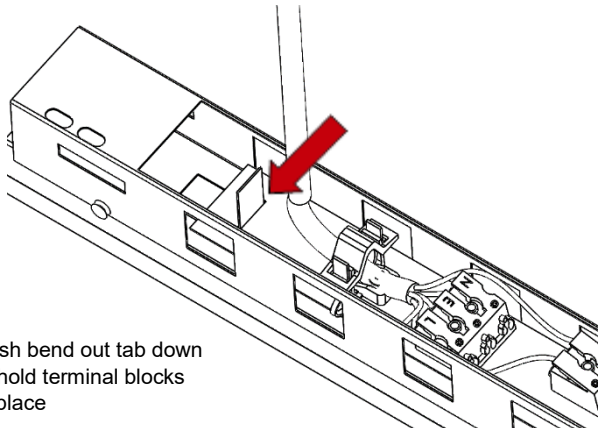
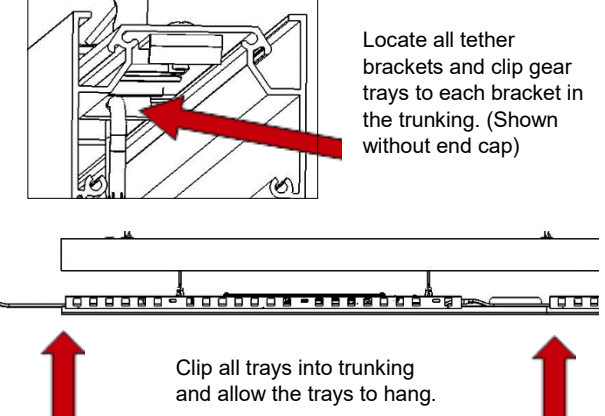
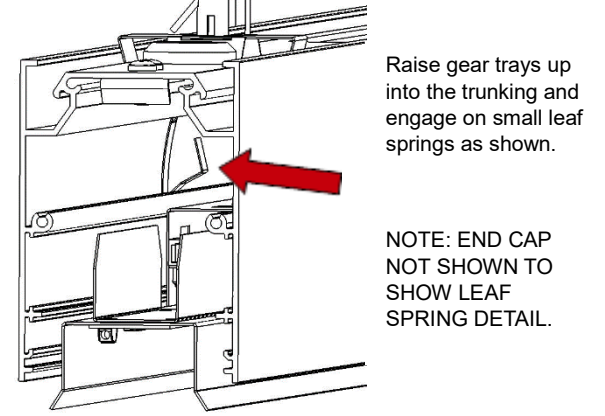
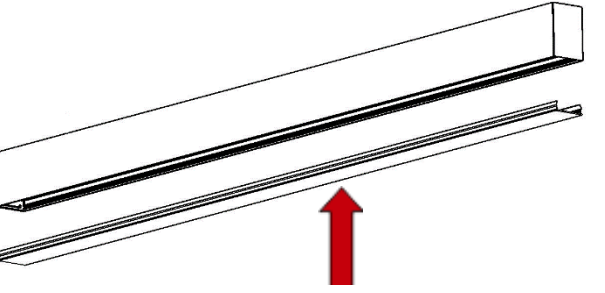
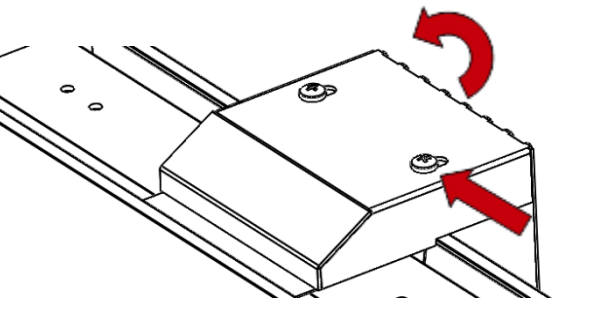
5.

Feed Wire Through grommet into the Runway Extrusion

Fasten Screws to hold runway in position



Runway 600mm Wall Mount Installation

<p>6.</p>  <p>Wire in Mains into terminal blocks, and secure into place with cable restraint.</p>	<p>7.</p>  <p>Push bend out tab down to hold terminal blocks in place</p>
<p>8.</p>  <p>Locate all tether brackets and clip gear trays to each bracket in the trunking. (Shown without end cap)</p> <p>Clip all trays into trunking and allow the trays to hang.</p>	<p>9.</p>  <p>Raise gear trays up into the trunking and engage on small leaf springs as shown.</p> <p>NOTE: END CAP NOT SHOWN TO SHOW LEAF SPRING DETAIL.</p>
<p>10.</p> <p>Unpack the diffusers carefully and offer up into the trunking once gear trays are secured in place. They should snap into place easily.</p> 	<p>11.</p> <p>Fold Lid down and fasten into place.</p> 
<p>Maintenance</p> <ol style="list-style-type: none"> 1 Disconnect luminaire before undertaking any maintenance or cleaning. 2 Cleaning should be undertaken on the parts of the luminaire only using a slightly damp lint free cloth. 3 Use a flat headed screwdriver to remove diffuser. 4 Remove gear tray from housing. 5 Remove plastic rivets to separate the two gear trays. 6 Use a pan pozi screwdriver to remove components. 7 Please contact Dextra for assistance with spare component supply. 